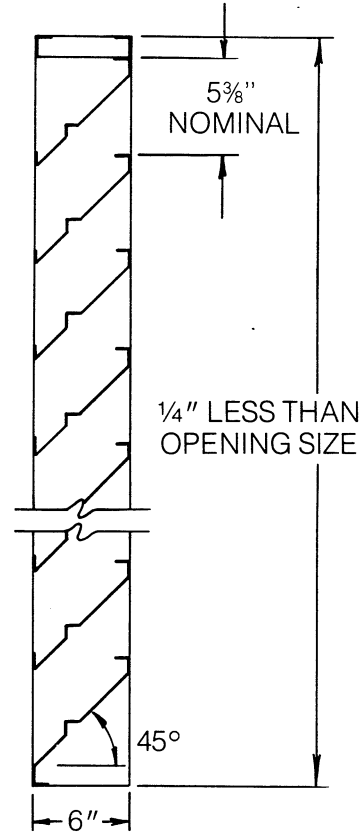
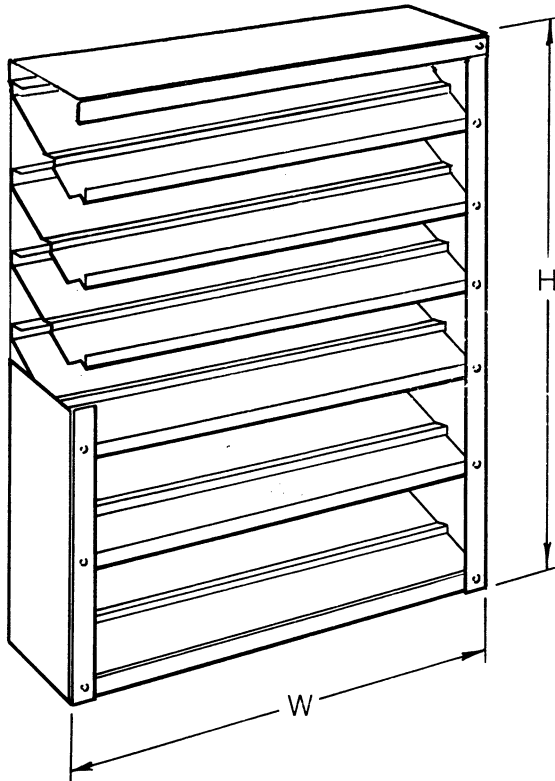


Model F-645-D Formed Drainable Louver Stationary Blade



Model F-645-D

SPECIFICATIONS:

Frame and Blades: 18 ga. Mill finish galvanized steel
Blades: 45° Drainable

Screen: 1/2" 19 ga. galvanized birdscreen standard

- Optional: Removable birdscreen
- Removable insect screen
- 1 1/2" flange flame
- Sill Extension

Minimum Size: Model F-645-D 12" high

Maximum Size: Single Section: 72" wide x 96" high

Exposed mullion over 72" wide standard

Louvers Fabricated 1/4"
under listed size unless
specified "exact" or "actual"

Leader certifies that model F-645-D louver shown here is licensed to bear the AMCA seal. The ratings shown are based on test and procedures performed in accordance with AMCA Publication 511 and comply with the requirements of the AMCA certified ratings program. The AMCA certified ratings seal applies to air performance rating and water penetration rating.



JOB _____

LOCATION _____ JOB NO. _____

ENGINEER _____ REPRESENTATIVE _____

CONTRACTOR _____ DATE _____



A Division of Leader Industries, Inc.

P.O. Box 40913
Nashville, TN 37204
www.leaderindustries.com

APPROVAL _____



Model F-645-D Formed Drainable Louver Stationary Blade

CFM and FREE AREA Chart

	Width (inches)										
	12	18	24	30	36	42	48	54	60	66	72
12	240 .208	384 .333	529 .458	673 .583	817 .708	961 .833	1106 .958	1246 1.08	1396 1.21	1535 1.33	1685 1.46
18	481 .417	770 .667	1058 .917	1350 1.17	1639 1.42	1927 1.67	2216 1.92	2504 2.17	2793 2.42	3081 2.67	3370 2.92
24	721 .625	1154 1.00	1581 1.37	2020 1.75	2458 2.13	2885 2.50	3324 2.88	3751 3.25	4189 3.63	4616 4.00	5055 4.38
30	1062 .920	1696 1.47	2331 2.02	2977 2.58	3612 3.13	4247 3.68	4881 4.23	5528 4.79	6162 5.34	6797 5.89	7432 6.44
36	1339 1.16	2146 1.86	2954 2.56	3762 3.26	4558 3.95	5366 4.65	6174 5.35	6982 6.05	7790 6.75	8598 7.44	9394 8.14
42	1639 1.42	2620 2.27	3600 3.12	4581 3.97	5574 4.83	6555 5.68	7536 6.53	8517 7.38	9497 8.23	10478 9.08	11471 9.94
48	1927 1.67	3081 2.67	4235 3.67	5389 4.67	6543 5.67	7697 6.67	8701 7.54	10005 8.67	11159 9.67	12313 10.67	13467 11.67
54	2170 1.88	3462 3.00	4766 4.13	6059 5.25	7363 6.38	8655 7.50	9959 8.63	11252 9.75	12556 10.88	13848 12.00	15152 13.13
60	2400 2.08	3843 3.33	5285 4.58	6728 5.83	8170 7.08	9613 8.33	11055 9.58	12498 10.83	13940 12.08	15383 13.33	16825 14.58
66	2643 2.29	4235 3.67	5816 5.04	7409 6.42	8990 7.79	10582 9.17	12163 10.54	13756 11.92	15337 13.29	16929 14.67	18510 16.04
72	2885 2.50	4616 4.00	6347 5.50	8078 7.00	9809 8.50	11540 10.00	13271 11.50	15002 13.00	16733 14.50	18464 16.00	20195 17.50
78	3185 2.76	5101 4.42	7005 6.07	8920 7.73	10836 9.39	12740 11.04	14656 12.70	16560 14.35	18476 16.01	20391 17.67	22295 19.32
84	3485 3.02	5574 4.83	7663 6.64	9740 8.44	11829 10.25	13917 12.06	16006 13.87	18095 15.68	20183 17.49	22272 19.30	24361 21.11
96	4062 3.52	6509 5.64	8944 7.75	11390 9.87	13825 11.98	16271 14.10	18706 16.21	21153 18.33	23588 20.44	26034 22.56	28469 24.67

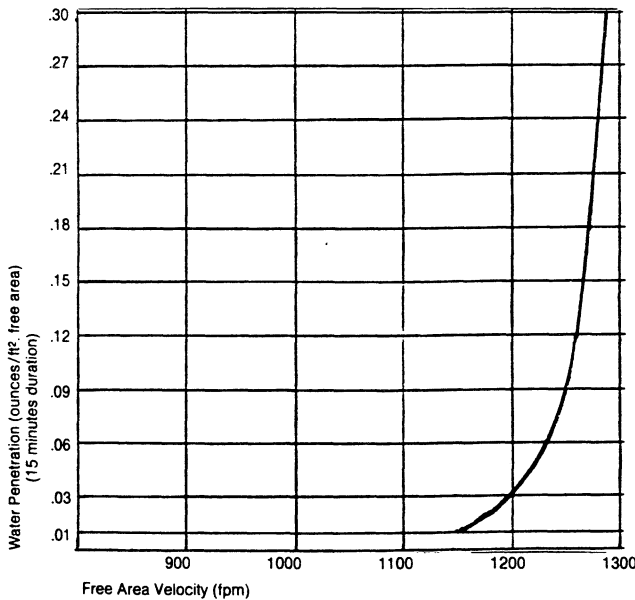
This table has been developed to assist in application and selection of these louvers. Two numbers are shown for each louver size. The upper number shows CFM of air flow permitted when selecting an intake louver at the point of zero water penetration.

Pressure drop when using this Selection Guide for an intake louver will be .15 in. w.g. The lower number shows sq.ft. of louver free area for each louver size. Louvers may be selected at other operating points on the Performance Curves if desired using the formula.
 $CFM = \text{Free Area (sq. ft.)} \times \text{Free Area Velocity (FPM)}$



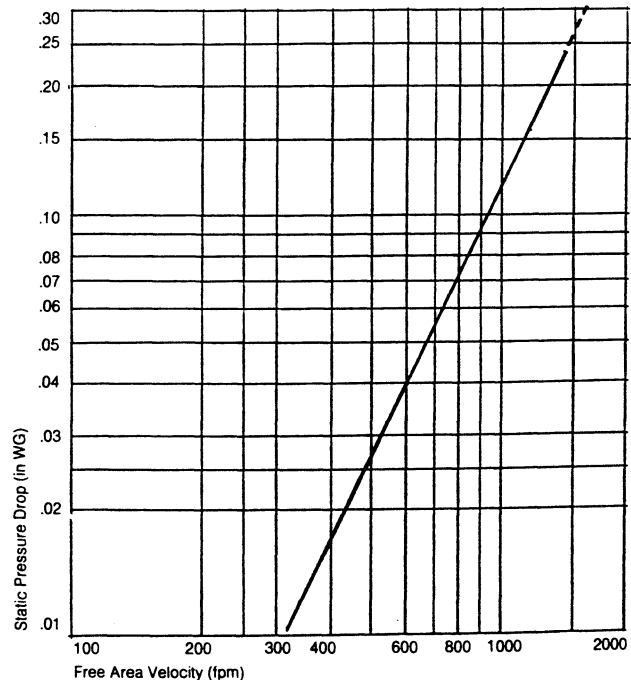
Leader certifies that model F-645-D louver shown here is licensed to bear the AMCA seal. The ratings shown are based on tests and procedures performed in accordance with AMCA Publication 511 and comply with the requirements of the AMCA certified ratings program. The AMCA certified ratings seal applies to air performance rating and water penetration rating. Model 445-CD is not AMCA certified.

Water Penetration Chart



Water Penetration Data applies to test unit size 48" x 48" only. Beginning of Water Penetration is 1154 FPM Free Area Velocity.

Air Performance Chart



The AMCA certified rating seal applies to air capacities in intake mode only. Performance shown is at standard air density 0.075 lbs/ft³.