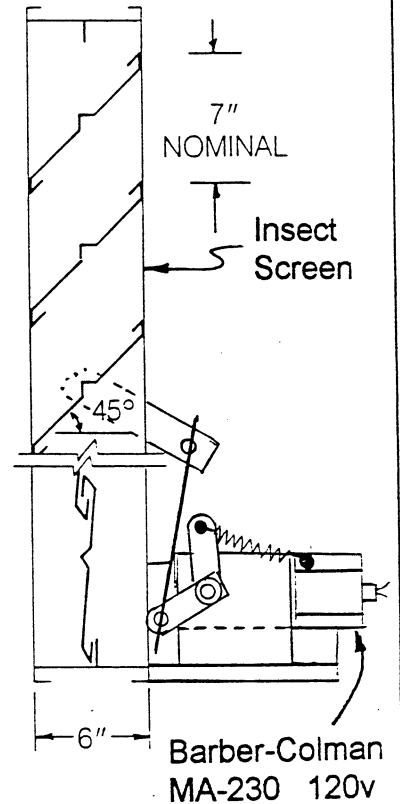
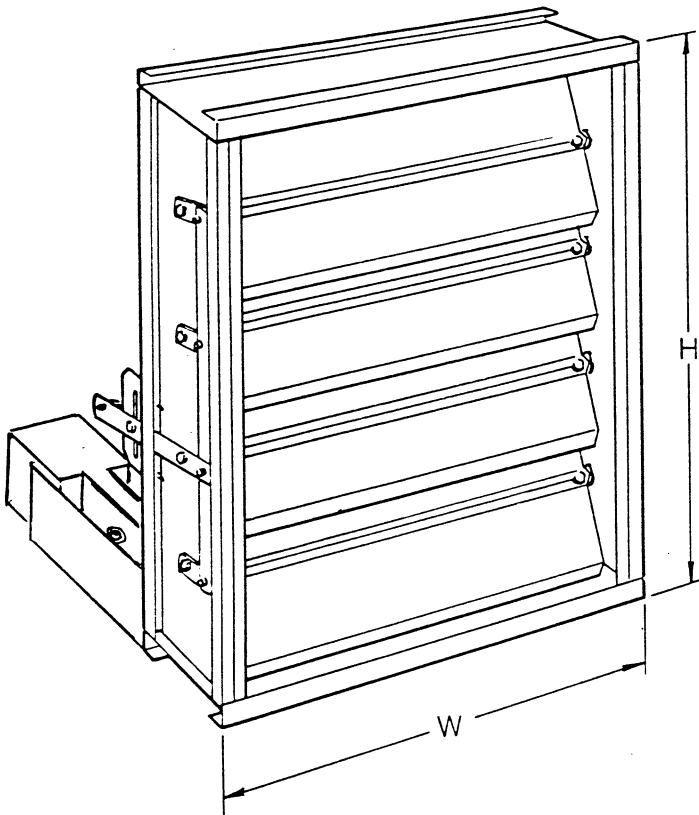


Model F-645-A Adjustable Blade Louver

Formed Metal
With Motor Internally Mounted



SPECIFICATIONS:

- Frame and Blades: 16ga. Mill finish galvanized steel
- Blades: 45° Weather Control
- Screen: Removable insect screen
- Minimum Size: Model F-645-A 16" high
- Maximum Size: Single Section: 48" wide x 60" high
- Exposed mullion over 48" wide standard

MODEL F-645-A

Louvers fabricated 1/4" under listed size unless specified "exact" or "actual"

JOB _____

LOCATION _____ JOB NO. _____

ENGINEER _____ REPRESENTATIVE _____

CONTRACTOR _____ DATE _____

APPROVAL _____

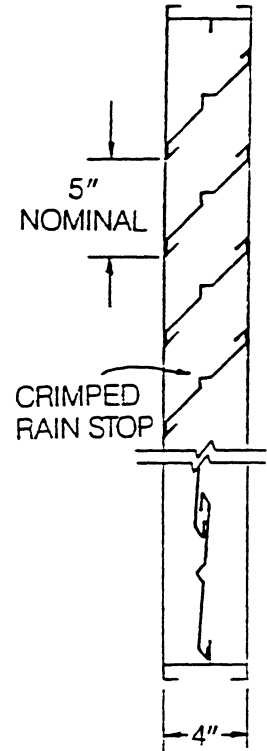


P.O. Box 40913
Nashville, TN 37204
www.leaderindustries.com
A Division of Leader Industries, Inc.

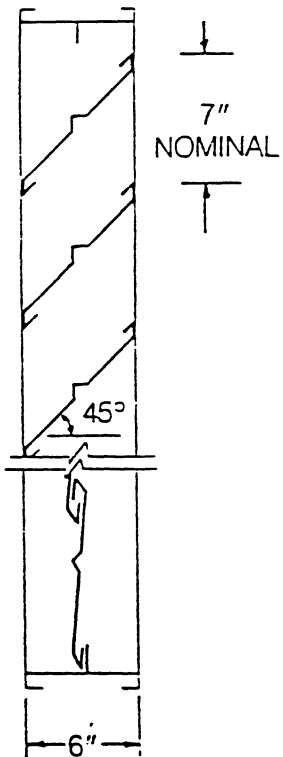


Model F-445-A Adjustable Blade Louver Formed Metal

		WIDTH						
FREE AREA		12	18	24	30	36	42	48
HEIGHT	12	.342	.540	.738	.936	1.13	1.33	1.53
	18	.581	.917	1.25	1.59	1.92	2.26	2.60
	24	.810	1.28	1.75	2.22	2.69	3.15	3.62
	30	1.00	1.58	2.16	2.73	3.31	3.89	4.47
	36	1.19	1.88	2.56	3.25	3.94	4.63	5.31
	42	1.48	2.33	3.19	4.04	4.90	5.75	6.60
	48	1.72	2.71	3.70	4.69	5.69	6.68	7.69
	54	1.95	3.07	4.20	5.32	6.45	7.57	8.70
	60	2.13	3.37	4.60	5.84	7.07	8.31	9.54



Model F-645-A Adjustable Blade Louver Formed Metal



		WIDTH						
FREE AREA		12	18	24	30	36	42	48
HEIGHT	18	.438	.695	.951	1.21	1.46	1.72	1.98
	24	.704	1.12	1.53	1.94	2.35	2.76	3.18
	30	.971	1.54	2.11	2.68	3.24	3.81	4.38
	36	1.23	1.95	2.68	3.40	4.12	4.84	5.57
	42	1.44	2.28	3.12	3.96	4.81	5.65	6.49
	48	1.71	2.72	3.72	4.72	5.73	6.73	7.73
	54	1.93	3.06	4.18	5.31	6.44	7.57	8.70
	60	2.15	3.40	4.66	5.92	7.17	8.43	9.69