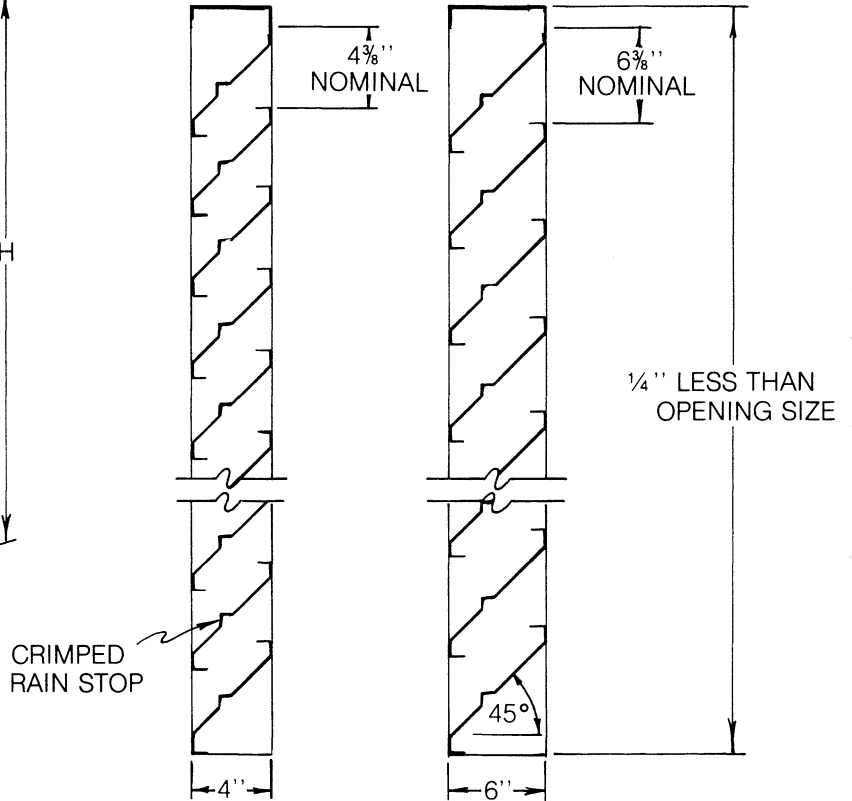
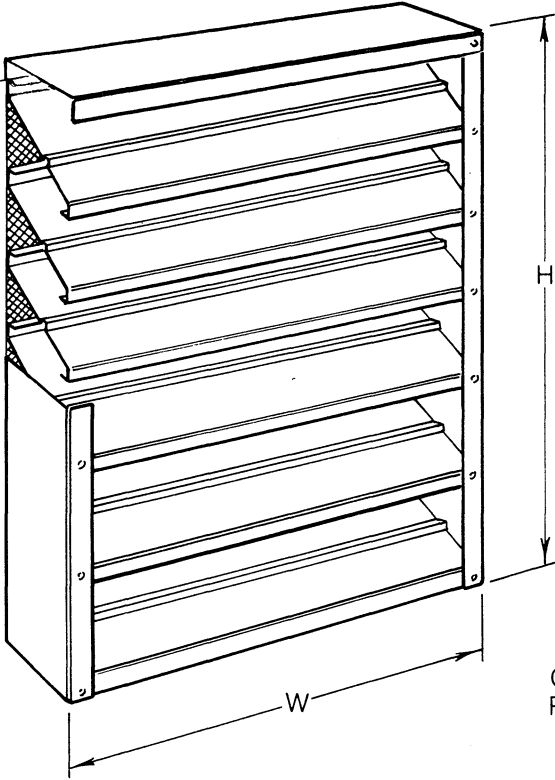


Model F-445-W Formed Metal Louver Model F-645-W Formed Metal Louver Stationary Blade



SPECIFICATIONS:

Frame and Blades: 18ga. Mill finish galvanized steel
 Blades: 45° Weather Control
 Screen: 1/2" 19 ga. galvanized birdscreen standard
 Optional: Removable birdscreen
 Removable insect screen
 1 1/2" flange frame
 Sill Extension

Minimum Size: **Model F-445-W** 10" high
 Minimum Size: **Model F-645-W** 14" high
 Maximum Size: Single Section: 72" wide x 96" high
 Exposed mullion over 72" wide standard

Model F-445-W Model F-645-W

Louvers Fabricated 1/4" under listed size unless specified "exact" or "actual"

JOB _____

LOCATION _____ JOB NO. _____

ENGINEER _____ REPRESENTATIVE _____

CONTRACTOR _____ DATE _____



A Division of Leader Industries, Inc.

P.O. Box 40913
 Nashville, TN 37204
 www.leaderindustries.com

APPROVAL _____



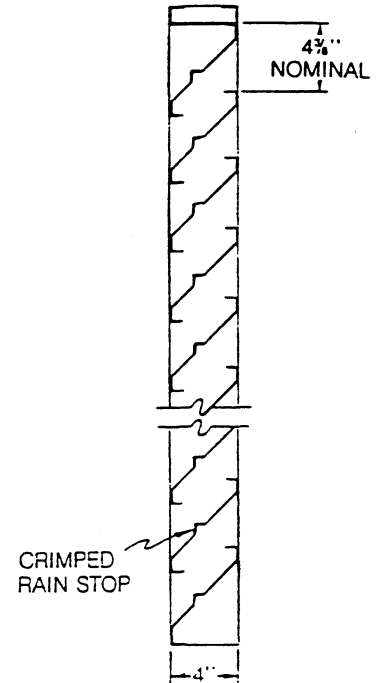
Model F-445-W Formed Metal Louver Stationary Blade

WIDTH

FREE AREA

	12	18	24	30	36	42	48	54	60	66	72
12	.243	.389	.535	.681	.826	.972	1.12	1.26	1.41	1.56	1.70
18	.420	.667	.917	1.17	1.42	1.67	1.92	2.17	2.42	2.67	2.92
24	.556	.889	1.22	1.56	1.89	2.22	2.56	2.89	3.22	3.56	3.89
30	.799	1.28	1.76	2.24	2.72	3.19	3.67	4.15	4.63	5.11	5.59
36	.972	1.56	2.14	2.72	3.31	3.89	4.47	5.06	5.64	6.22	6.81
42	1.11	1.78	2.44	3.11	3.78	4.44	5.11	5.78	6.44	7.11	7.78
48	1.35	2.17	2.98	3.79	4.60	5.42	6.23	7.04	7.85	8.67	9.48
54	1.53	2.44	3.36	4.28	5.19	6.11	7.03	7.94	8.86	9.78	10.69
60	1.67	2.67	3.67	4.67	5.67	6.67	7.67	8.67	9.67	10.67	11.67
66	1.91	3.06	4.20	5.35	6.49	7.64	8.78	9.93	11.08	12.22	13.37
72	2.08	3.33	4.58	5.83	7.08	8.33	9.58	10.86	12.08	13.33	14.58
78	2.22	3.56	4.89	6.22	7.56	8.89	10.22	11.56	12.89	14.22	15.56
84	2.36	3.78	5.19	6.61	8.03	9.44	10.86	12.28	13.69	15.11	16.53
90	2.64	4.22	5.81	7.39	8.97	10.56	12.14	13.72	15.31	16.89	18.47
96	2.78	4.44	6.11	7.78	9.44	11.11	12.78	14.44	16.11	17.78	19.44

HEIGHT

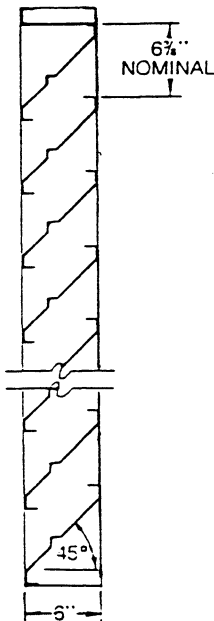


Stationary Blade

Model F-645-W Formed Metal Louver Stationary Blade

WIDTH

FREE AREA



Stationary Blade

HEIGHT

	12	18	24	30	36	42	48	54	60	66	72
12	.247	.400	.544	.692	.841	.989	1.14	1.29	1.43	1.58	1.73
18	.482	.771	1.06	1.35	1.64	1.93	2.22	2.51	2.79	3.08	3.37
24	.703	1.13	1.55	1.97	2.39	2.81	3.23	3.65	4.08	4.50	4.92
30	.917	1.47	2.02	2.57	3.12	3.67	4.22	4.77	5.32	5.87	6.42
36	1.14	1.83	2.51	3.20	3.88	4.56	5.25	5.93	6.62	7.30	7.99
42	1.36	2.18	3.00	3.81	4.63	5.45	6.27	7.08	7.90	8.72	9.53
48	1.58	2.53	3.48	4.43	5.38	6.33	7.30	8.23	9.18	10.13	11.08
54	1.81	2.89	3.98	5.06	6.15	7.23	8.23	9.41	10.49	11.58	12.66
60	2.03	3.25	4.47	5.68	6.90	8.12	9.34	10.56	11.77	12.99	14.21
66	2.23	3.56	4.90	6.23	7.57	8.90	10.24	11.57	12.91	14.24	15.58
72	2.47	3.96	5.44	6.92	8.41	9.89	11.37	12.86	14.34	15.82	17.31
84	2.97	4.75	6.53	8.31	10.09	11.87	13.65	15.43	17.21	18.99	20.77
96	3.46	5.54	7.62	9.69	11.77	13.84	15.92	18.00	20.07	22.15	24.23