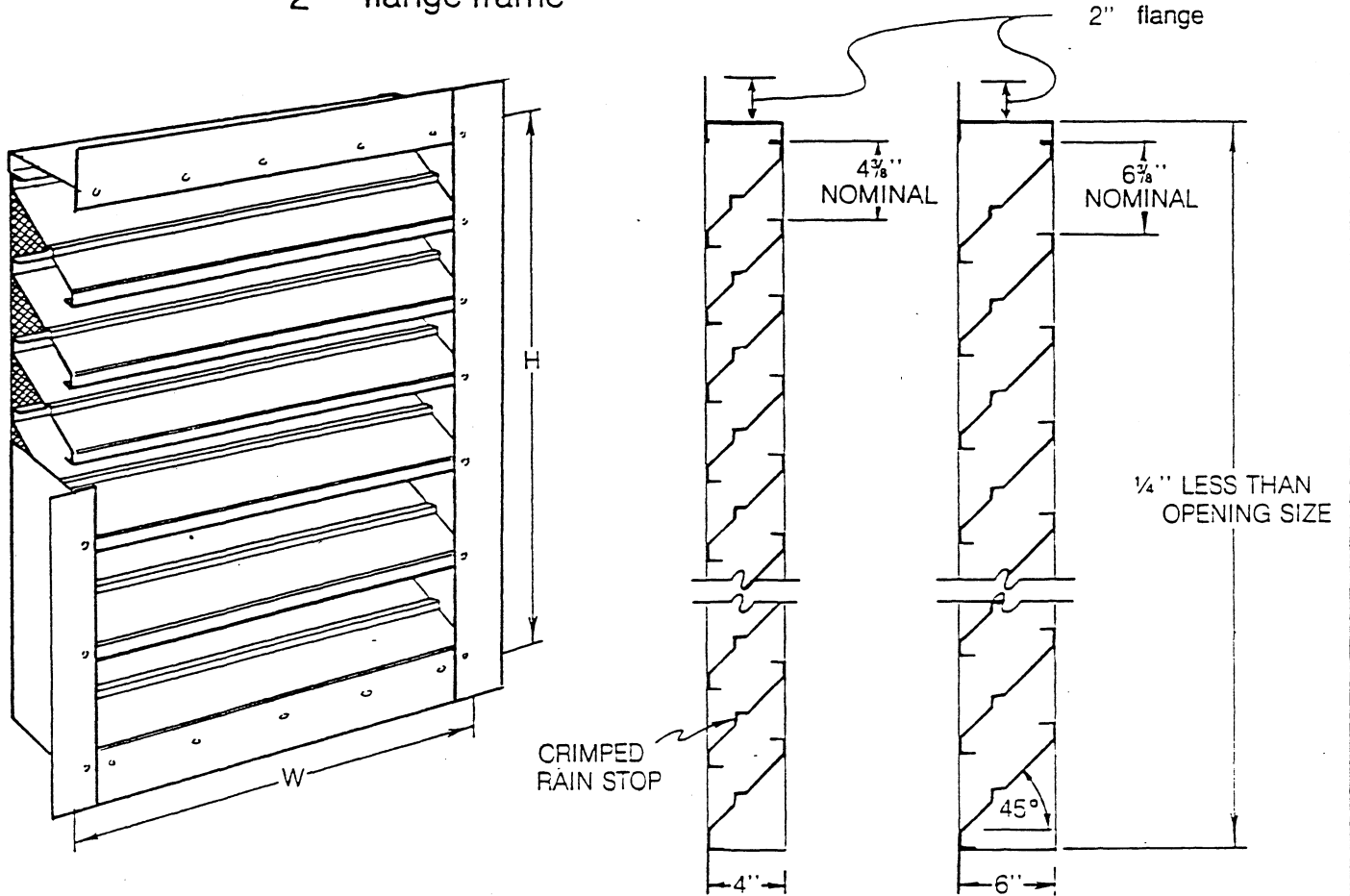


Model F-445-W Formed Metal Louver
 Model F-645-W Formed Metal Louver
 Stationary Blade

2" flange frame



SPECIFICATIONS:

- Frame and Blades: 18ga. Mill finish galvanized steel
- Blades: 45° Weather Control
- Screen: 1/2" 19ga. galvanized birdscreen standard
- Optional: Removable birdscreen
- Removable insect screen

Minimum Size: Model F-445-W 10" high

Minimum Size: Model F-645-W 14" high

Maximum Size: Single Section 72" wide X 96" high
 Exposed mullion over 72" wide standard

Model F-445-W Model F-645-W

JOB _____

LOCATION _____ JOB NO. _____

ENGINEER _____ REPRESENTATIVE _____

CONTRACTOR _____ DATE _____



A Division of Leader Industries, Inc.

P.O. Box 40913
 Nashville, TN 37204
 www.leaderindustries.com

APPROVAL

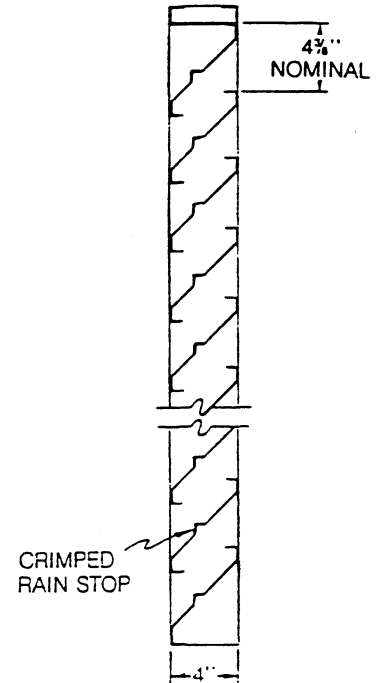
Model F-445-W Formed Metal Louver Stationary Blade

WIDTH

FREE AREA

	12	18	24	30	36	42	48	54	60	66	72
12	.243	.389	.535	.681	.826	.972	1.12	1.26	1.41	1.56	1.70
18	.420	.667	.917	1.17	1.42	1.67	1.92	2.17	2.42	2.67	2.92
24	.556	.889	1.22	1.56	1.89	2.22	2.56	2.89	3.22	3.56	3.89
30	.799	1.28	1.76	2.24	2.72	3.19	3.67	4.15	4.63	5.11	5.59
36	.972	1.56	2.14	2.72	3.31	3.89	4.47	5.06	5.64	6.22	6.81
42	1.11	1.78	2.44	3.11	3.78	4.44	5.11	5.78	6.44	7.11	7.78
48	1.35	2.17	2.98	3.79	4.60	5.42	6.23	7.04	7.85	8.67	9.48
54	1.53	2.44	3.36	4.28	5.19	6.11	7.03	7.94	8.86	9.78	10.69
60	1.67	2.67	3.67	4.67	5.67	6.67	7.67	8.67	9.67	10.67	11.67
66	1.91	3.06	4.20	5.35	6.49	7.64	8.78	9.93	11.08	12.22	13.37
72	2.08	3.33	4.58	5.83	7.08	8.33	9.58	10.86	12.08	13.33	14.58
78	2.22	3.56	4.89	6.22	7.56	8.89	10.22	11.56	12.89	14.22	15.56
84	2.36	3.78	5.19	6.61	8.03	9.44	10.86	12.28	13.69	15.11	16.53
90	2.64	4.22	5.81	7.39	8.97	10.56	12.14	13.72	15.31	16.89	18.47
96	2.78	4.44	6.11	7.78	9.44	11.11	12.78	14.44	16.11	17.78	19.44

HEIGHT

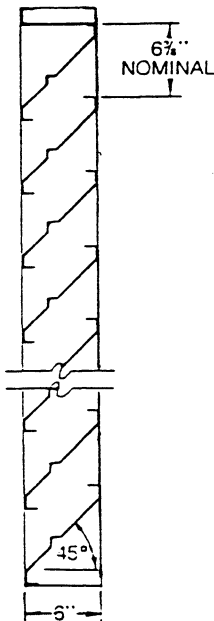


Stationary Blade

Model F-645-W Formed Metal Louver Stationary Blade

WIDTH

FREE AREA



Stationary Blade

	12	18	24	30	36	42	48	54	60	66	72
12	.247	.400	.544	.692	.841	.989	1.14	1.29	1.43	1.58	1.73
18	.482	.771	1.06	1.35	1.64	1.93	2.22	2.51	2.79	3.08	3.37
24	.703	1.13	1.55	1.97	2.39	2.81	3.23	3.65	4.08	4.50	4.92
30	.917	1.47	2.02	2.57	3.12	3.67	4.22	4.77	5.32	5.87	6.42
36	1.14	1.83	2.51	3.20	3.88	4.56	5.25	5.93	6.62	7.30	7.99
42	1.36	2.18	3.00	3.81	4.63	5.45	6.27	7.08	7.90	8.72	9.53
48	1.58	2.53	3.48	4.43	5.38	6.33	7.30	8.23	9.18	10.13	11.08
54	1.81	2.89	3.98	5.06	6.15	7.23	8.23	9.41	10.49	11.58	12.66
60	2.03	3.25	4.47	5.68	6.90	8.12	9.34	10.56	11.77	12.99	14.21
66	2.23	3.56	4.90	6.23	7.57	8.90	10.24	11.57	12.91	14.24	15.58
72	2.47	3.96	5.44	6.92	8.41	9.89	11.37	12.86	14.34	15.82	17.31
84	2.97	4.75	6.53	8.31	10.09	11.87	13.65	15.43	17.21	18.99	20.77
96	3.46	5.54	7.62	9.69	11.77	13.84	15.92	18.00	20.07	22.15	24.23

HEIGHT