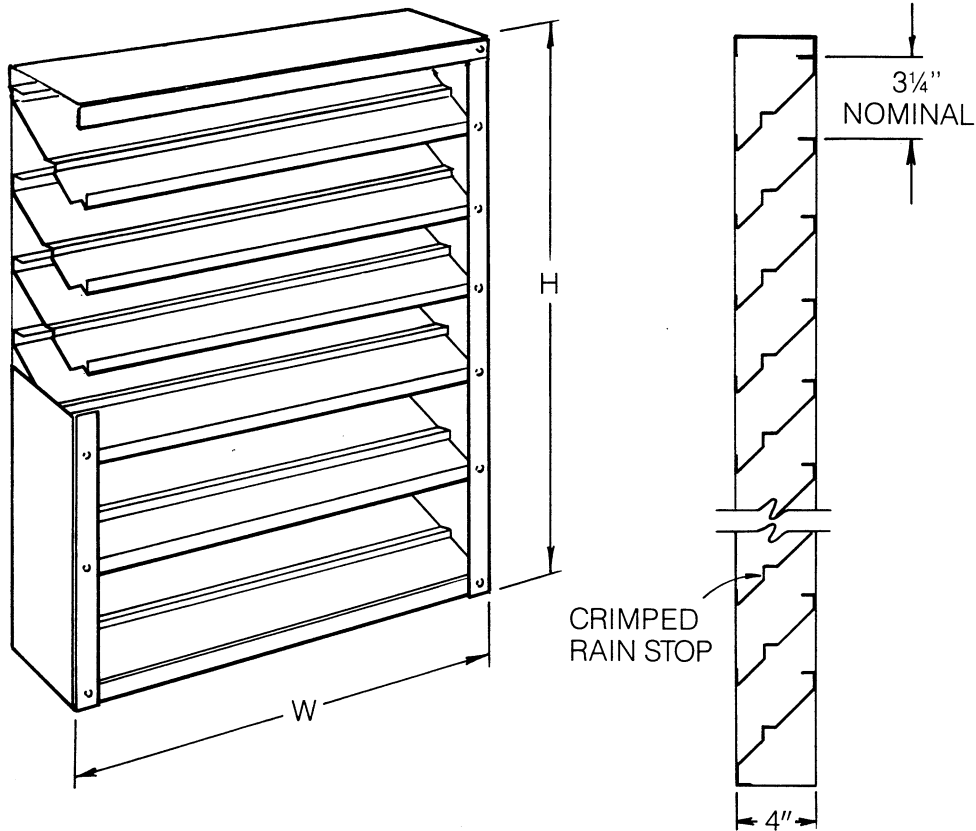


Model F-445-D Formed Drainable Louver Stationary Blade



Model F-445-D

SPECIFICATIONS:

- Frame and Blades: 18 ga. Mill finish galvanized steel
- Blades: 45° Drainable
- Screen: 1/2" 19 ga. galvanized birdscreen standard
- Optional: Removable birdscreen
- Removable insect screen
- 1 1/2" flange flange
- Sill Extension

Minimum Size: Model F-445-D 10" high
 Maximum Size: Single Section: 72" wide x 96" high
 Exposed mullion over 72" wide standard

Louvers Fabricated 1/4"
 under listed size unless
 specified "exact" or "actual"

Leader certifies that model F-445-D louver shown here is licensed to bear the AMCA seal. The ratings shown are based on test and procedures performed in accordance with AMCA Publication 511 and comply with the requirements of the AMCA certified ratings program. The AMCA certified ratings seal applies to air performance rating and water penetration rating.



JOB _____

LOCATION _____ JOB NO. _____

ENGINEER _____ REPRESENTATIVE _____

CONTRACTOR _____ DATE _____



A Division of Leader Industries, Inc.

P.O. Box 40913
 Nashville, TN 37204
 www.leaderindustries.com

APPROVAL _____



Model F-445-D Formed Drainable Louver Stationary Blade

CFM and FREE AREA Chart

Height (inches)	Width (inches)										
	12	18	24	30	36	42	48	54	60	66	72
12	250 .209	401 .335	551 .460	701 .586	851 .711	1002 .837	1152 .962	1305 1.09	1448 1.21	1604 1.34	1748 1.46
18	512 .428	820 .685	1126 .941	1436 1.20	1748 1.46	2047 1.71	2358 1.97	2669 2.23	2969 2.48	3280 2.74	3591 3.00
24	774 .647	1233 1.03	1700 1.42	2167 1.81	2633 2.20	3100 2.59	3555 2.97	4022 3.36	4489 3.75	4956 4.14	5422 4.53
30	1035 .865	1652 1.38	2274 1.90	2897 2.42	3519 2.94	4142 3.45	4764 3.98	5387 4.50	6009 5.02	6631 5.54	7254 6.06
36	1245 1.04	1999 1.67	2753 2.30	3495 2.92	4249 3.55	5003 4.18	5746 4.80	6500 5.43	7254 6.06	7996 6.68	8750 7.31
42	1472 1.23	2358 1.97	3232 2.70	4118 3.44	5003 4.18	5877 4.91	6763 5.65	7649 6.39	8523 7.12	9408 7.86	10294 8.60
48	1700 1.42	2717 2.27	3735 3.12	4752 3.97	5770 4.82	6787 5.67	7804 6.52	8822 7.37	9839 8.22	10857 9.07	11874 9.92
54	1951 1.63	3124 2.61	4297 3.59	5470 4.57	6643 5.55	7804 6.52	8978 7.50	10151 8.48	11324 9.46	12497 10.44	13670 11.42
60	2214 1.85	3543 2.96	4872 4.07	6200 5.18	7529 6.29	8858 7.40	10186 8.51	11515 9.62	12844 10.73	14172 11.84	15501 12.95
66	2346 1.96	3747 3.13	5159 4.31	6572 5.49	7972 6.66	9384 7.84	10785 9.01	12197 10.19	13598 11.36	15010 12.54	16411 13.71
72	2705 2.26	4333 3.62	5961 4.98	7589 6.34	9217 7.70	10845 9.06	12473 10.42	14101 11.78	15729 13.14	17345 14.49	18972 15.85
78	2933 2.45	4692 3.92	6452 5.39	8211 6.86	9971 8.33	11731 9.80	13478 11.26	15238 12.73	16997 14.20	18757 15.67	20517 17.14
84	3136 2.62	5003 4.18	6883 5.75	8762 7.32	10641 8.89	12521 10.46	14400 12.03	16279 13.60	18158 15.17	20038 16.74	21917 18.31
96	3651 3.05	5841 4.88	8044 6.72	10234 8.55	12425 10.38	14615 12.21	16805 14.04	19008 15.88	21199 17.71	23389 19.54	25580 21.37

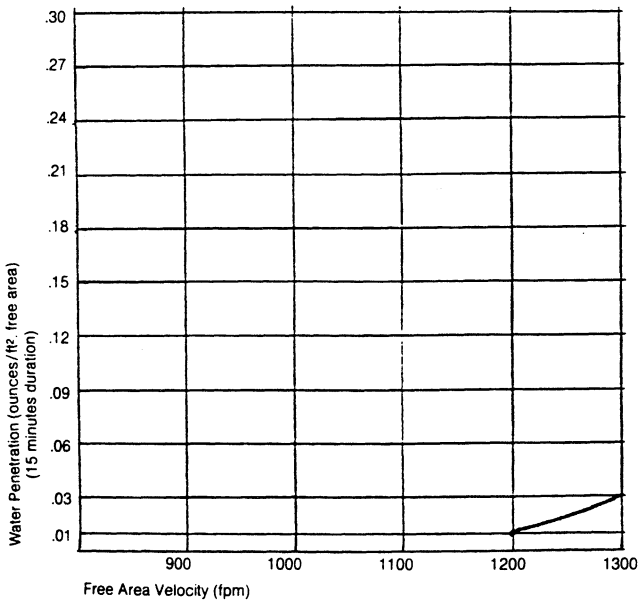
This table has been developed to assist in application and selection of these louvers. Two numbers are shown for each louver size. The upper number shows CFM of air flow permitted when selecting an intake louver at the point of zero water penetration.

Pressure drop when using this Selection Guide for an intake louver will be .13 in. w.g. The lower number shows sq. ft. of louver free area for each louver size. Louvers may be selected at other operating points on the Performance Curves if desired using the formula.
CFM = Free Area (sq. ft.) x Free Area Velocity (FPM)



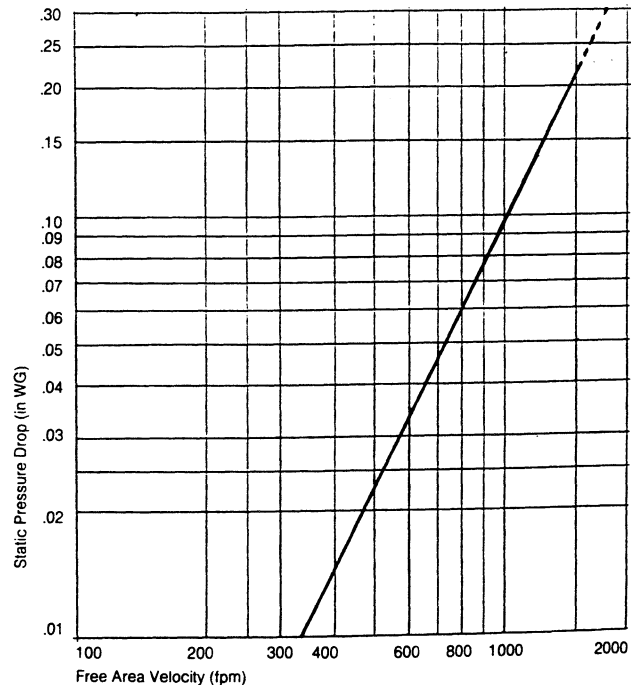
Leader certifies that model F-445-D louver shown here is licensed to bear the AMCA seal. The ratings shown are based on tests and procedures performed in accordance with AMCA Publication 511 and comply with the requirements of the AMCA certified ratings program. The AMCA certified ratings seal applies to air performance rating and water penetration rating. Model 445-CW is not AMCA certified.

Water Penetration Chart



Water Penetration Data applies to test unit size 48" x 48" only. Beginning of Water Penetration is 1197 FPM Free Area Velocity.

Air Performance Chart



The AMCA certified rating seal applies to air capacities in intake mode only. Performance shown is at standard air density 0.075 lbs/ft³.