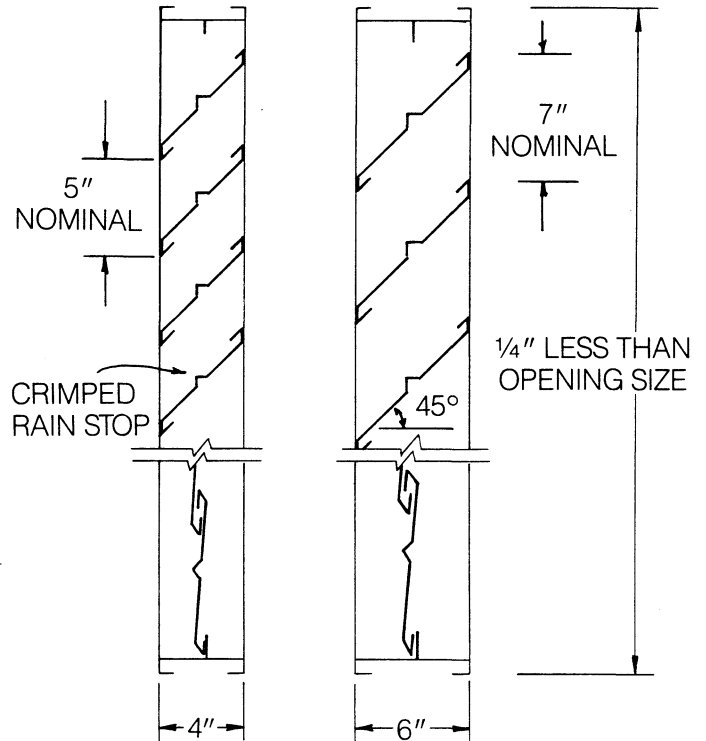
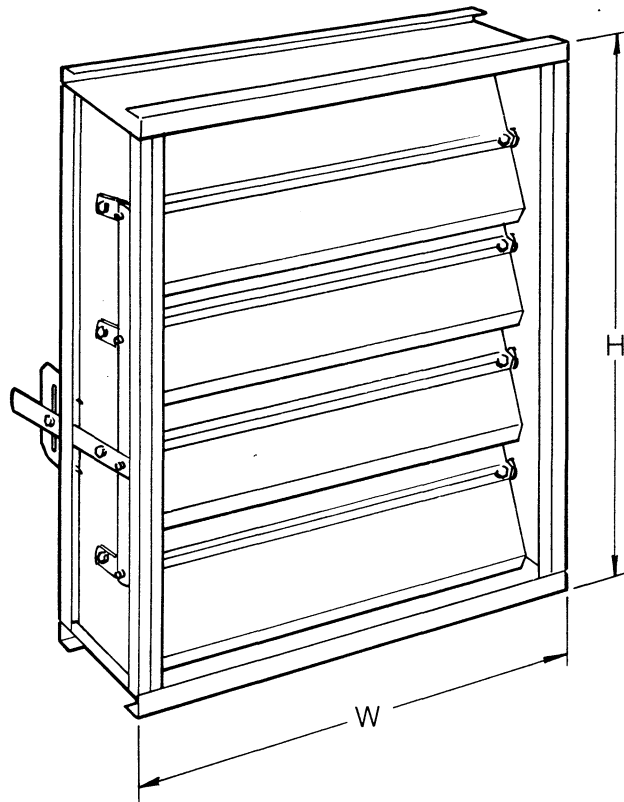


# Model F-445-A Adjustable Blade Louver Model F-645-A Adjustable Blade Louver Formed Metal



**SPECIFICATIONS:**

- Frame and Blades: 16ga. Mill finish galvanized steel
- Blades: 45° Weather Control
- Screen: 1/2" 19ga. galvanized birdscreen standard
- Optional: Removable birdscreen
- Removable insect screen
- 1 1/2" flange frame
- Blade Seals
- Frame Seals
- Sill Extension

Minimum Size: **Model F-445-A** 12" high  
 Minimum Size: **Model F-645-A** 16" high  
 Maximum Size: Single Section: 48" wide x 60" high  
 Exposed mullion over 48" wide standard

**MODEL F-445-A**

**MODEL F-645-A**

Louvers fabricated 1/4" under listed size unless specified "exact" or "actual"

JOB \_\_\_\_\_

LOCATION \_\_\_\_\_ JOB NO. \_\_\_\_\_

ENGINEER \_\_\_\_\_ REPRESENTATIVE \_\_\_\_\_

CONTRACTOR \_\_\_\_\_ DATE \_\_\_\_\_



A Division of Leader Industries, Inc.

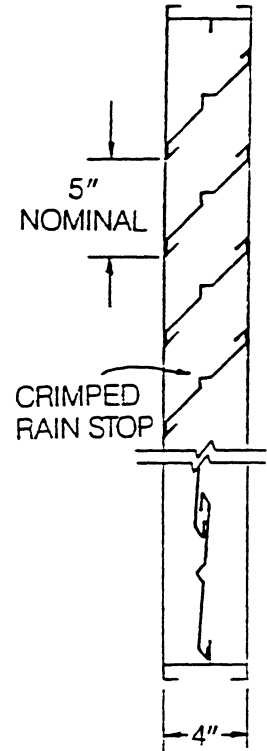
P.O. Box 40913  
 Nashville, TN 37204  
 www.leaderindustries.com

APPROVAL \_\_\_\_\_

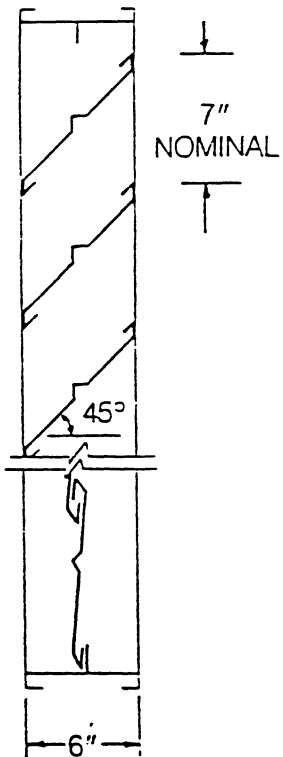


## Model F-445-A Adjustable Blade Louver Formed Metal

		WIDTH						
FREE AREA		12	18	24	30	36	42	48
HEIGHT	12	.342	.540	.738	.936	1.13	1.33	1.53
	18	.581	.917	1.25	1.59	1.92	2.26	2.60
	24	.810	1.28	1.75	2.22	2.69	3.15	3.62
	30	1.00	1.58	2.16	2.73	3.31	3.89	4.47
	36	1.19	1.88	2.56	3.25	3.94	4.63	5.31
	42	1.48	2.33	3.19	4.04	4.90	5.75	6.60
	48	1.72	2.71	3.70	4.69	5.69	6.68	7.69
	54	1.95	3.07	4.20	5.32	6.45	7.57	8.70
	60	2.13	3.37	4.60	5.84	7.07	8.31	9.54



## Model F-645-A Adjustable Blade Louver Formed Metal



		WIDTH						
FREE AREA		12	18	24	30	36	42	48
HEIGHT	18	.438	.695	.951	1.21	1.46	1.72	1.98
	24	.704	1.12	1.53	1.94	2.35	2.76	3.18
	30	.971	1.54	2.11	2.68	3.24	3.81	4.38
	36	1.23	1.95	2.68	3.40	4.12	4.84	5.57
	42	1.44	2.28	3.12	3.96	4.81	5.65	6.49
	48	1.71	2.72	3.72	4.72	5.73	6.73	7.73
	54	1.93	3.06	4.18	5.31	6.44	7.57	8.70
	60	2.15	3.40	4.66	5.92	7.17	8.43	9.69