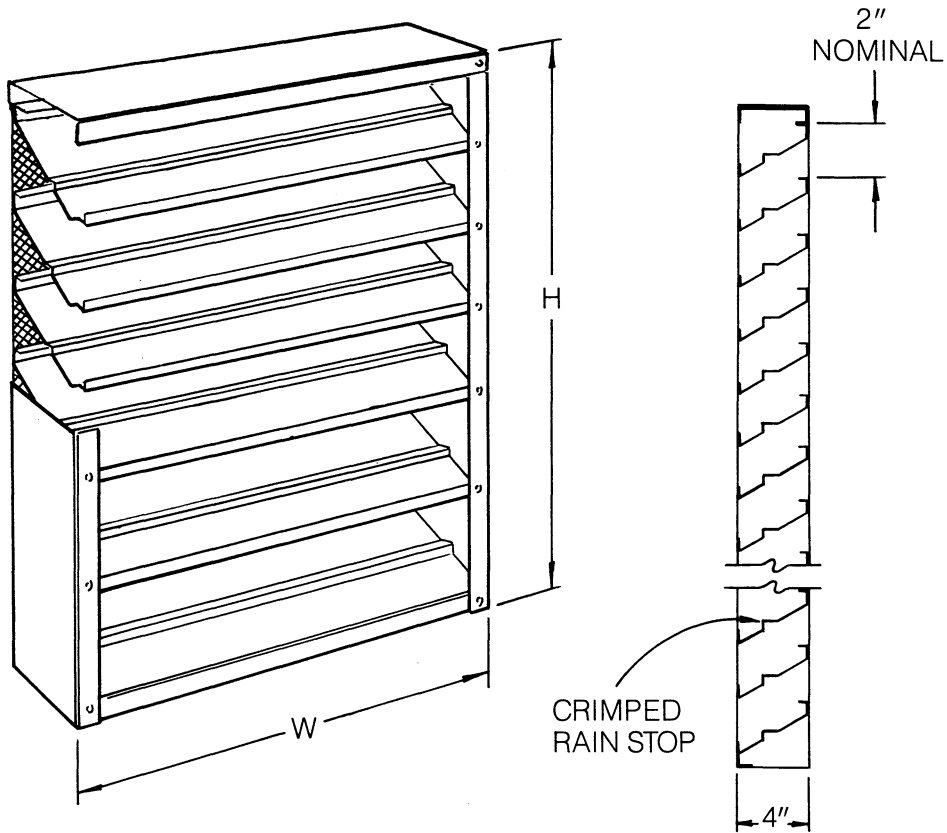


Model F-430-D Formed Drainable Louver Stationary Blade



Model F-430-D

SPECIFICATIONS:

Frame and Blades: 18 ga. Mill finish galvanized steel
Blades: 30° Drainable

Screen: 1/2" 19 ga. Galvanized birdscreen standard

Optional: Removable birdscreen

Removable insect screen

1 1/2" flange flange

Sill Extension

Minimum Size: **Model F-430-D** 8" high

Maximum Size: Single Section: 72" wide x 96" high

Exposed mullion over 72" wide standard

Louvers Fabricated 1/4"
under listed size unless
specified "exact" or "actual"

JOB _____
LOCATION _____ JOB NO. _____
ENGINEER _____ REPRESENTATIVE _____
CONTRACTOR _____ DATE _____

LEADER

A Division of Leader Industries, Inc.

P.O. Box 40913
Nashville, TN 37204
www.leaderindustries.com

APPROVAL



Model **F-430-D** Formed Metal Louver Stationary Blade

FREE AREA PERFORMANCE DATA

WIDTH

	12	18	24	30	36	42	48	54	60	66	72
12	.278	.444	.611	.778	.944	1.11	1.28	1.44	1.61	1.78	1.94
18	.486	.778	1.07	1.36	1.65	1.94	2.24	2.53	2.82	3.11	3.40
24	.694	1.11	1.53	1.94	2.36	2.78	3.20	3.61	4.03	4.44	4.86
30	.903	1.44	1.99	2.53	3.07	3.61	4.15	4.69	5.24	5.78	6.32
36	1.11	1.78	2.44	3.11	3.78	4.44	5.11	5.78	6.44	7.11	7.78
42	1.32	2.11	2.90	3.69	4.49	5.28	6.07	6.86	7.65	8.44	9.24
48	1.53	2.44	3.36	4.28	5.20	6.11	7.03	7.94	8.86	9.78	10.69
54	1.74	2.78	3.82	4.86	5.90	6.94	7.99	9.03	10.07	11.11	12.15
60	1.94	3.11	4.28	5.44	6.61	7.78	8.94	10.11	11.28	12.44	13.61
66	2.15	3.44	4.74	6.03	7.32	8.61	9.90	11.20	12.49	13.78	15.07
72	2.36	3.78	5.20	6.61	8.03	9.44	10.86	12.28	13.69	15.11	16.53
78	2.57	4.11	5.65	7.20	8.74	10.28	11.82	13.36	14.90	16.44	17.99
84	2.78	4.44	6.11	7.78	9.44	11.11	12.78	14.44	16.11	17.78	19.44
90	2.99	4.78	6.57	8.36	10.15	11.94	13.74	15.53	17.32	19.11	20.90
96	3.26	5.22	7.18	9.14	11.10	13.06	15.01	16.98	18.93	20.89	22.85

HEIGHT

2"
NOMINAL

CRIMPED
RAIN STOP

4"

MODEL F-430-D

SPECIFICATIONS:

Frame and Blades: 18 ga. Mill finish galvanized steel

Blades: 30° Drainable

Screen: ½" 19 ga. galvanized birdscreen standard

Optional: Removable birdscreen

Removable insect screen

1 ½" flange flame

Sill Extension

Minimum Size: Model F-430-D 8" high

LEADER

A Division of Leader Industries, Inc.

P.O. Box 40913
Nashville, TN 37204
www.leaderindustries.com

APPROVAL