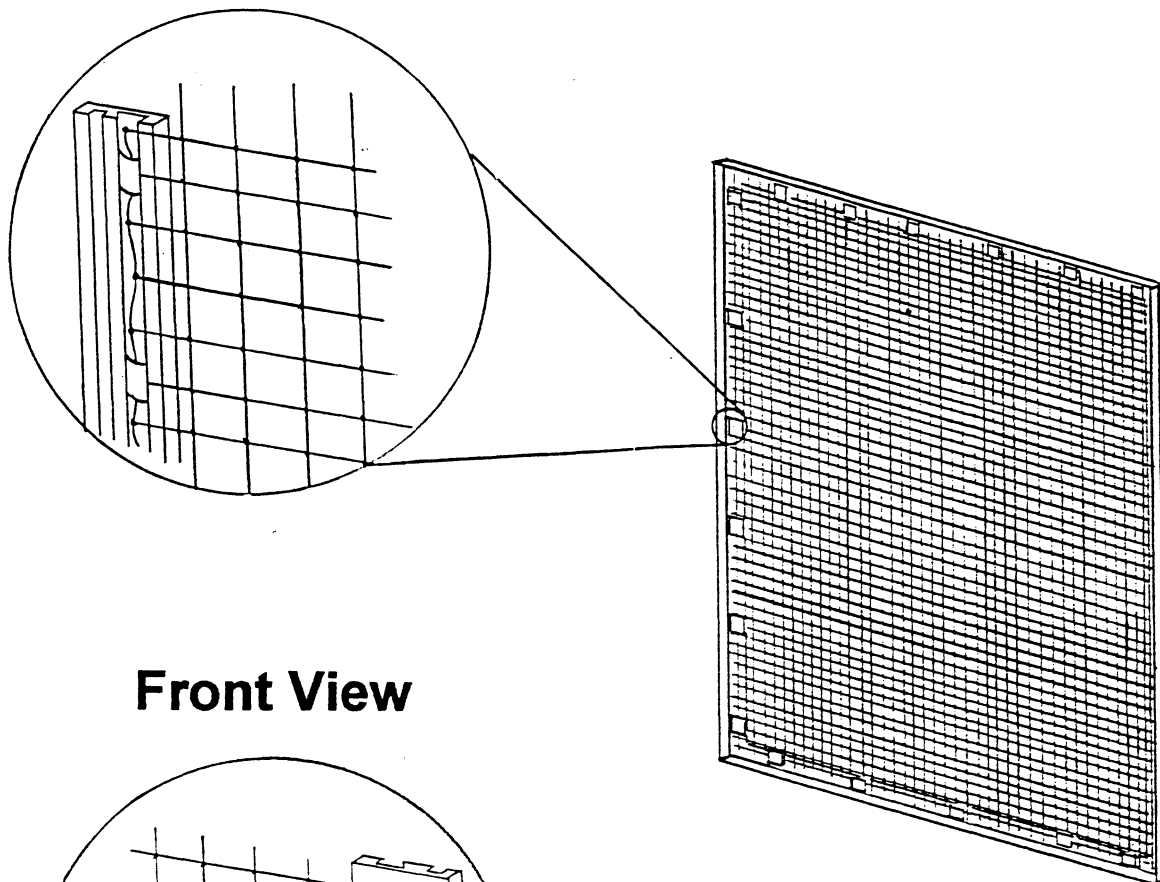
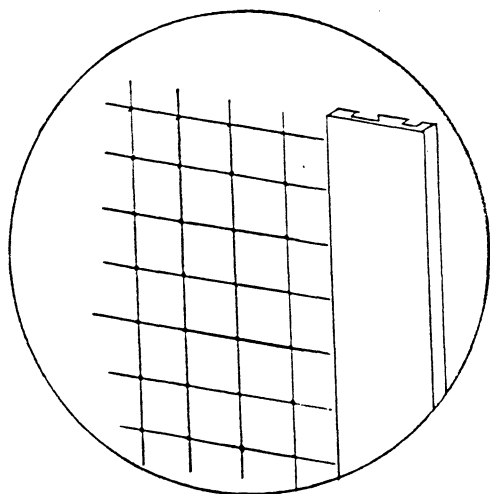


# REMOVABLE BIRDSCREEN

## Back View



## Front View



Frame: Extruded Aluminum, 6063-T5 Alloy  
Screen: 1/2" 19 ga. Galvanized Birdscreen  
Corners: Mitred

JOB \_\_\_\_\_  
LOCATION \_\_\_\_\_ JOB NO. \_\_\_\_\_  
ENGINEER \_\_\_\_\_ REPRESENTATIVE \_\_\_\_\_  
CONTRACTOR \_\_\_\_\_ DATE \_\_\_\_\_

APPROVAL

**LEADER**

A Division of Leader Industries, Inc.

P.O. Box 40913  
Nashville, TN 37204  
www.leaderindustries.com

