



MIAMI-DADE COUNTY, FLORIDA
METRO-DADE FLAGLER BUILDING
140 WEST FLAGLER STREET, SUITE 1603
MIAMI, FLORIDA 33130-1563
(305) 375-2901 FAX (305) 375-2908

NOTICE OF ACCEPTANCE (NOA)

Leader Industries Inc.
P.O. Box 40913
Nasville, TN 37204

SCOPE: This NOA is being issued under the applicable rules and regulations governing the use of construction materials. The documentation submitted has been reviewed by Miami-Dade County Product Control Division and accepted by the Board of Rules and Appeals (BORA) to be used in Miami Dade County and other areas where allowed by the Authority Having Jurisdiction (AHJ).

This NOA shall not be valid after the expiration date stated below. The Miami Dade County Product Control Division (in Miami-Dade County) and/or the AHJ (in areas other than Miami Dade County) reserve the right to have this product or material tested for quality assurance purposes. If this product or material fails to perform in the accepted manner, the manufacturer will incur the expense of such testing and the AHJ may immediately revoke, modify, or suspend the use of such product or material within their jurisdiction. BORA reserves the right to revoke this acceptance, if it is determined by Miami-Dade county Product Control Division that this product or material fails to meet the requirements of the applicable building code.

This product is approved as described herein, and has been designed to comply with the Florida Building Code including the High Velocity Hurricane Zone.

DESCRIPTION: DC -SDFE Fan Enclosure

APPROVAL DOCUMENT: Drawing No. **LDR0005**, titled "DC-SDFE Fan Enclosure Louver Systems" dated 01/12/06 with last revision on 12/28/06, sheets 1 thru 5 of 5 prepared by Product Technology corporation, signed and sealed by Eric S. Nielsen, P.E., bearing the Miami-Dade County Product Control Approval stamp with the NOA number and expiration date by the Miami-Dade County Product Control Division.

MISSILE IMPACT RATING: Large and Small Missile Impact Resistant.

LABELING: Each unit shall bear a permanent label with the manufacturer's name or logo, city, state and following statement: "Miami-Dade County Product Control Approved ", unless otherwise noted herein.

RENEWAL of this NOA shall be considered after a renewal application has been filed and there has been no change in the applicable building code negatively affecting the performance of this product.

TERMINATION of this NOA will occur after the expiration date or if there has been a revision or change in the materials, use, and/or manufacture of the product or process. Misuse of this NOA as an endorsement of any product, for sales, advertising or any other purposes shall automatically terminate this NOA. Failure to comply with any section of this NOA shall be cause for termination and removal of NOA.

ADVERTISEMENT: The NOA number preceded by the words Miami-Dade County,Florida and followed by the expiration date may be displayed in advertising literature. If any portion of the NOA is displayed, then it shall be done in its entirety.

INSPECTION: A copy of this entire NOA shall be provided to the user by the manufacturer or its distributors and shall be available for inspection at the job site at the request of the Building Official.

This **NOA**, consists of this page, evidence page E1, as well as approval document mentioned above.

The submitted documentation was reviewed by **Mohammed Iqbal Shaikh, PE.**



NOA No.: 06-0403.07
Expiration Date: 02/08/12
Approval Date: 02/08/07
Page 1

NOTICE OF ACCEPTANCE: EVIDENCE PAGE

A. DRAWINGS.

1. Drawing No. **LDR0005**, titled "DC-SDFE Fan Enclosure Louver Systems" dated 01/12/06 with last revision on 12/28/06, sheets 1 thru 5 of 5 prepared by Product Technology Corporation, signed and sealed by Eric S. Nielsen, P.E.

B. TESTS.

1. Test report # NCTL 210-3056-1 on Large Missile Impact Test per TAS 201, Cyclic Wind Pressure Test per TAS 203, and Uniform Static Air Pressure Test per TAS 202, prepared by National Certified Testing Laboratories, dated 11/11/04, signed and sealed by Gerard J. Ferrara, P.E.
2. Test report # NCTL 210-3229-1 per ASTM E-72, Racking Test, prepared by National Certified Testing Laboratories, dated 01/27/06, signed and sealed by Gerard J. Ferrara, P.E.

C. CALCULATIONS.

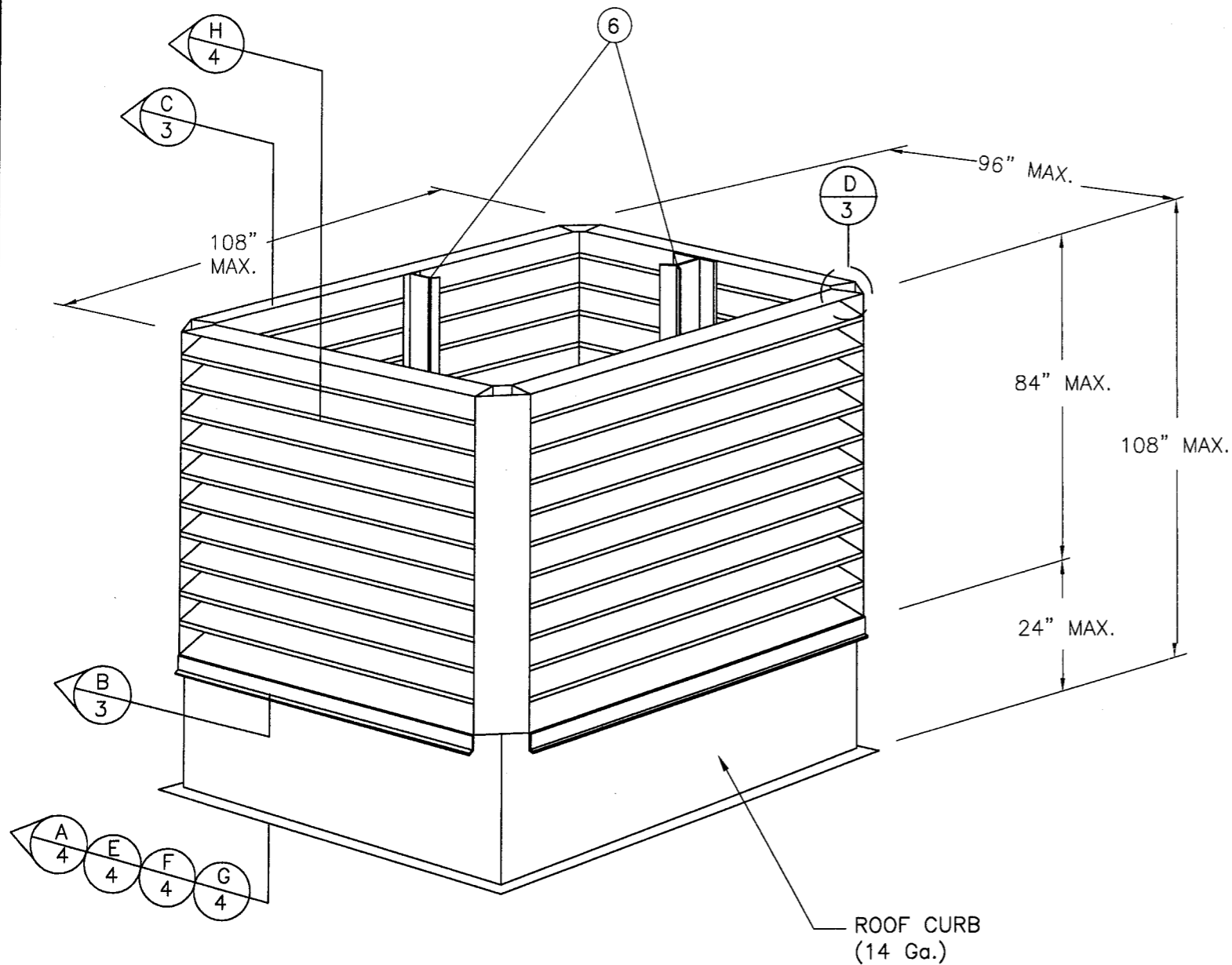
DC-SDFE Fan Enclosure Louver Systems dated February 20, 2006 signed and sealed Eric S. Nielsen, P.E.

D. STATEMENTS

1. FBC 2004 Code compliance letter and no Financial Interest letter issued by Product Technology Corporation on 02/28/05, signed and sealed by Eric S. Nielsen, P.E.



Mohammed Iqbal Shaikh, PE.
Sr. Building Code Compliance Specialist
NOA No.: 06-0403.07
Expiration Date: 02/08/12
Approval Date: 02/08/07



EXTERIOR ELEVATION

ROOF CURB
(14 Ga.)

DESIGN PRESSURE RATING
+ 100.0 PSF / -100.0 PSF

GENERAL NOTES:

- 1) THE PRODUCT SHOWN HEREIN IS DESIGNED AND MANUFACTURED TO COMPLY WITH THE HVHZ FLORIDA BUILDING CODE.
- 2) FAN ENCLOSURE MUST BE ANCHORED PROPERLY TO TRANSFER ALL LOADS TO THE STRUCTURE. ROOF SYSTEM IS RESPONSIBILITY OF ARCHITECT OR ENGINEER OF RECORD.
- 3) PRODUCTS ARE APPROVED FOR USE WHERE LARGE MISSILE IMPACT RESISTANCE IS REQUIRED. IMPACT PROTECTIVE SYSTEM IS NOT REQUIRED.
- 4) ISOLATE ALL SUBSTRATE ANCHOR CLIPS/ ANGLES, PART NUMBERS 9 & 16 FROM MASONRY/CONCRETE SUBSTRATE BY OTHERS.
- 5) UNIT CAN BE INSTALLED WITH OR WITHOUT ITEM 11, FAN SKIRT, & ITEM 12, FAN BRACKET.

TABLE OF CONTENTS	
DRAWING NUMBER	DESCRIPTION
1	ELEVATIONS & GENERAL NOTES
2	ANCHORING DETAILS
3	INSTALLATION DETAILS
4	INSTALLATION AND ANCHORING DETAILS
5	BILL OF MATERIALS AND UNIT COMPONENTS

Approved as complying with the
Florida Building Code
Date 07/08/07
NOAH 06-0403-07
Miami Dade Product Control
Division
By M. Thau

SYM	REVISION	DATE	BY
B	PER MIAMI DADE MARKUPS	12/08/2006	12/28/06 HFN
A	PER MIAMI DADE MARKUPS	08/15/2006	9/29/06 HFN

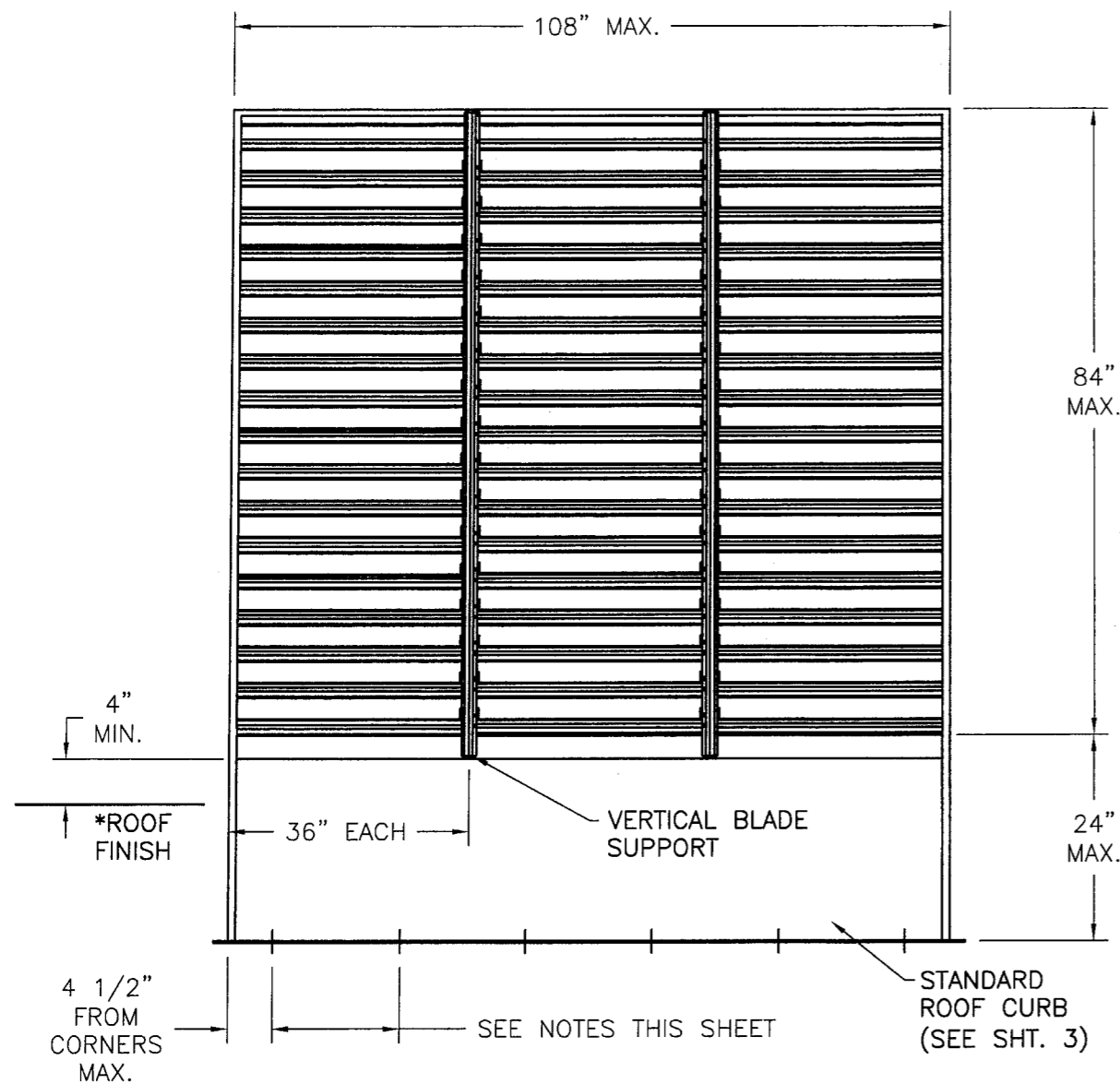
ESN
12/28/06
Eric S. Nielsen
Florida P. E. No. 41323
PTC, LLC.
1535 N. Cogswell St., Suite C-25
Rockledge, Florida 32955
FBPE Certificate of Authorization NO. 25935

LEADER INDUSTRIES, INC.
2509 CRUZEN ST., NASHVILLE, TN 37211

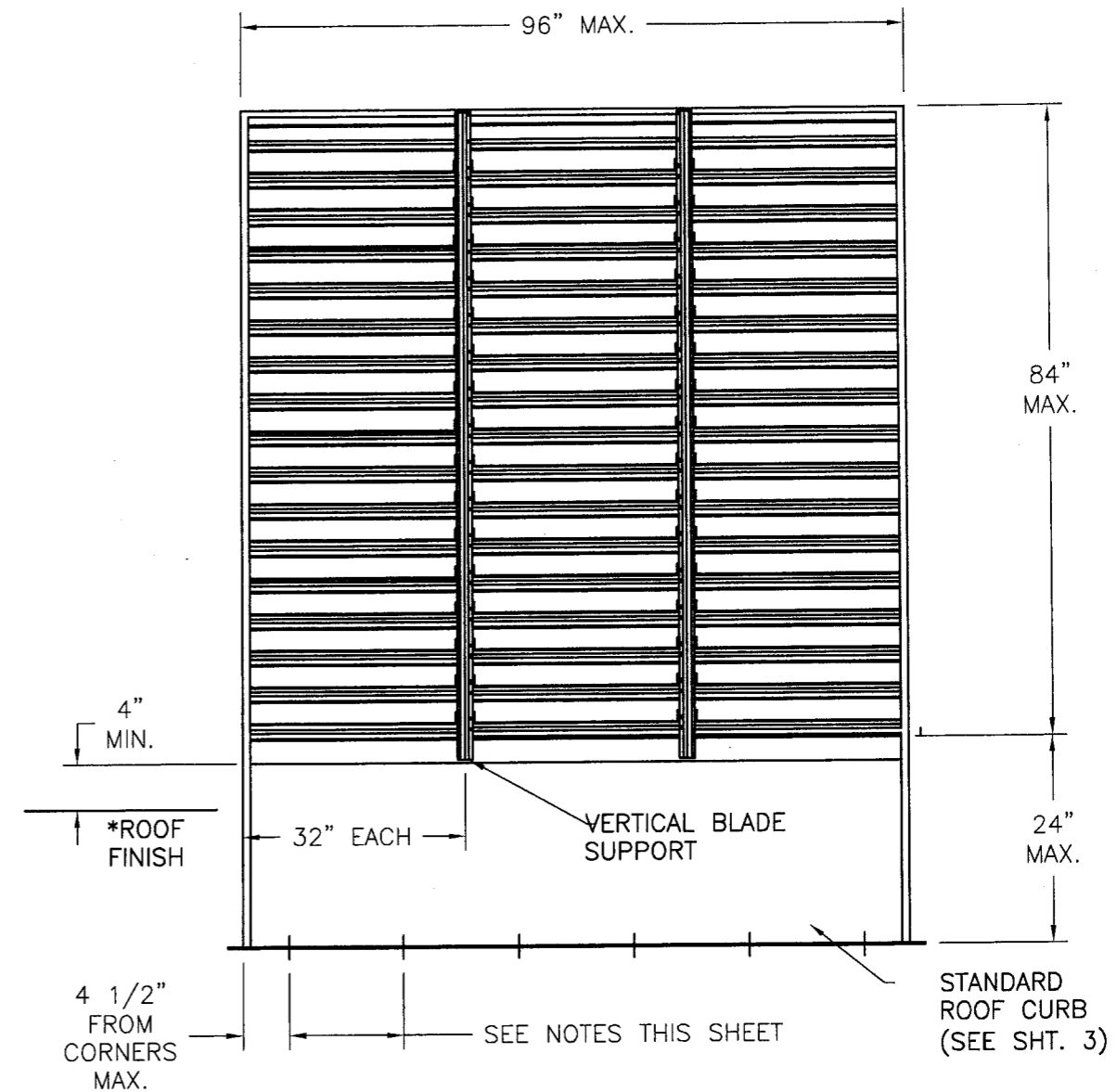
TITLE: DC-SDFE FAN ENCLOSURE LOUVER SYSTEMS
ELEVATION AND GENERAL NOTES

PREPARED BY: **PTC**
Product Technology Corporation
Phone 321.690.1788 Fax 321.690.1789

DRN:	DRL	DATE:	01/12/06
SCALE:	N.T.S	DWG. NO:	LDR0005
REV:	B	SHEET:	1 OF 5



DC-SDFE FAN ENCLOSURE LOUVER SYSTEM
108" x 108"



DC-SDFE FAN ENCLOSURE LOUVER SYSTEM
108" x 96"

ANCHORING NOTES:

- 1) SUBSTRATES, ANCHOR TYPES & SPACING ARE AS FOLLOWS:
 - A) CONCRETE DECKING USE 3/8" DIA. HILTI KWIK BOLT II ANCHORS OF SUFFICIENT LENGTH TO ACHIEVE MIN. OF 3" EMBEDMENT INTO CONCRETE. SPACE 3/8" DIA. HILTI KWIK BOLT II ANCHORS 4-1/2" MAX. FROM CORNERS & 14-1/2" O.C. MAX.
 - OR
1/4" DIA. TAPCON ANCHORS OF SUFFICIENT LENGTH TO ACHIEVE MIN. OF 1-1/2" EMBEDMENT INTO CONCRETE. SPACE 1/4" DIA. TAPCON ANCHORS 4-1/2" MAX. FROM CORNERS & 6-1/4" O.C. MAX.
 - B) WOOD FRAME DECKING, USE 7/16" DIA. LAG BOLT OF SUFFICIENT LENGTH TO ACHIEVE 3-1/2" MIN. EMBEDMENT INTO WOOD DECKING. SPACE 7/16" DIA. LAG ANCHORS 4-1/2" MAX. FROM CORNERS & 10-7/8" O.C. MAX.
 - C) STEEL GIRDER OR PERLIN WITH METAL DECKING, USE #12-3 POINT ITWBUILD EX MAXISEAL SCREW SPACED 4-1/2" MAX. FROM CORNERS & 4-1/2" O.C. MAX. USING 1/8" FILLET WELD SPACED 4-1/2" FROM CORNERS MAX. & 11" O.C. MAX.
- 2) * ALL ROOFING DETAILS SHALL COMPLY WITH CHAPTER 15 OF THE FLORIDA BUILDING CODE.

Approved as complying with the
Florida Building Code
Date 02/08/07
NOA# 06-0403.07
Miami Dade Product Control
Division
By M. Khadi

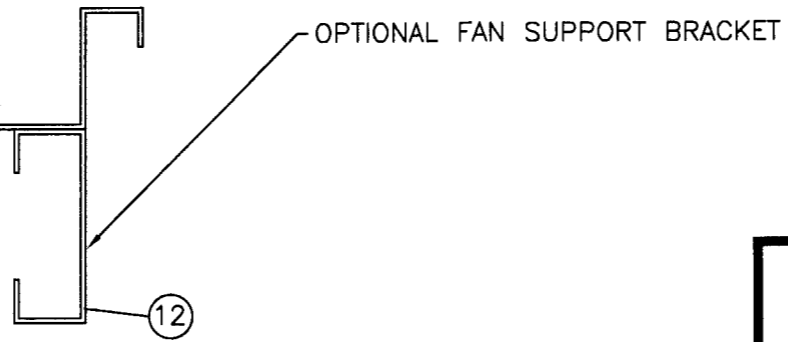
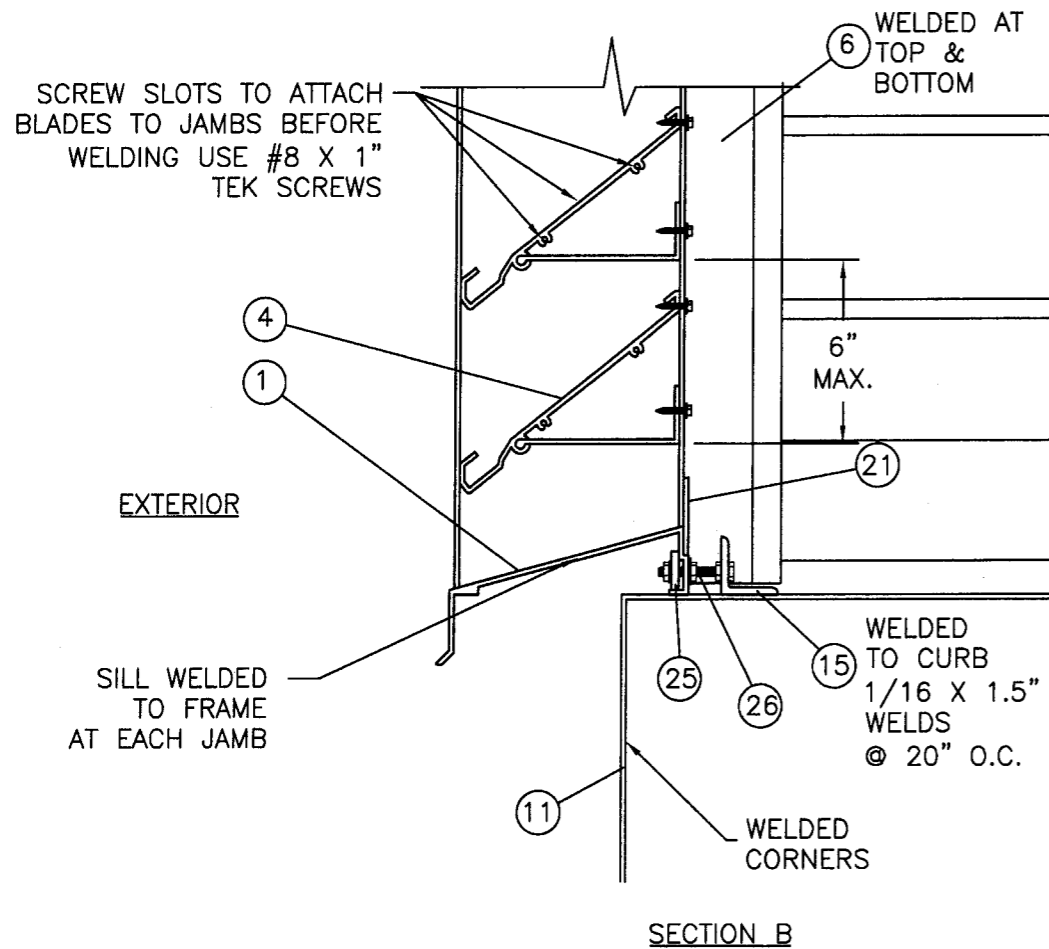
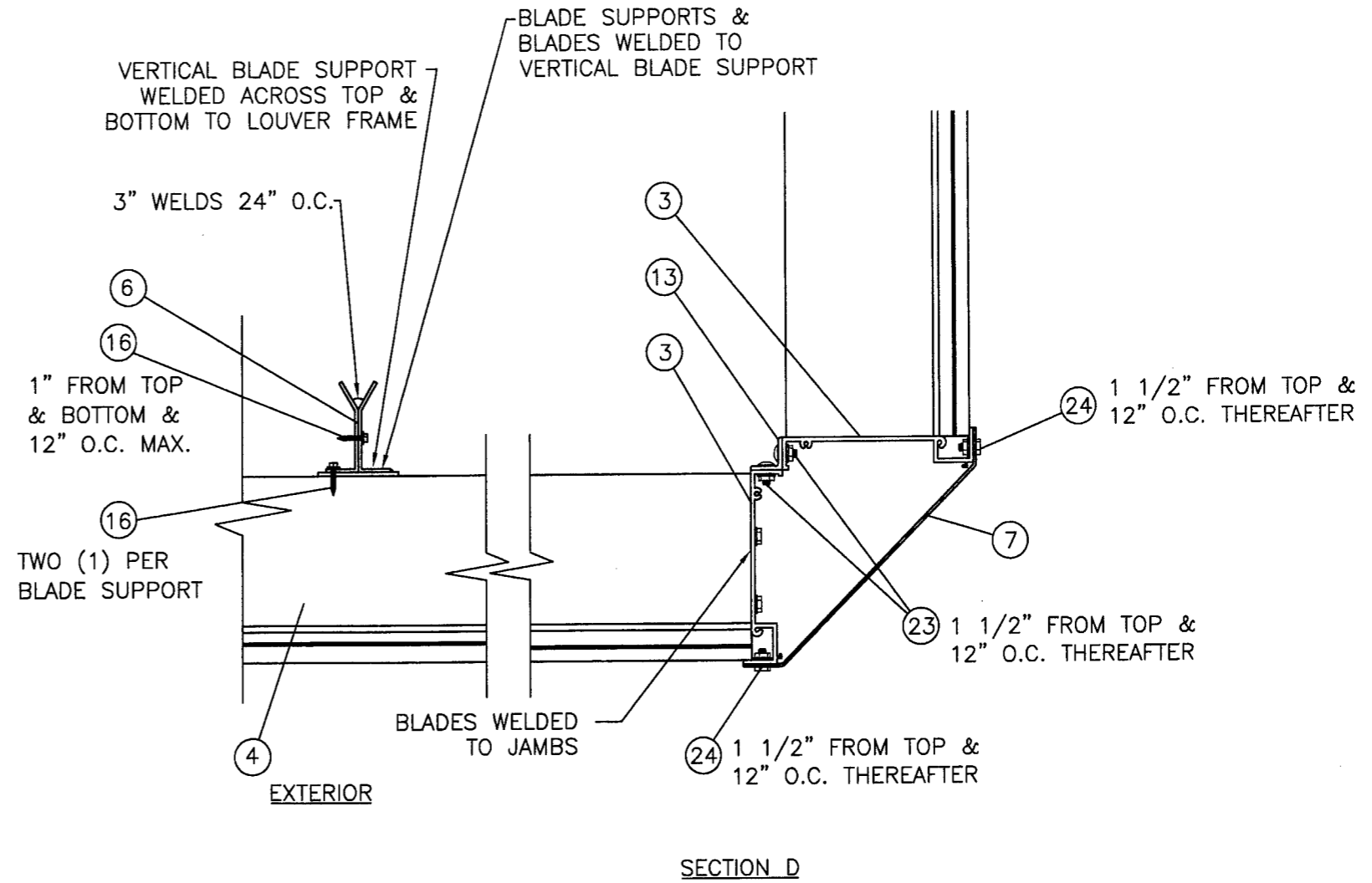
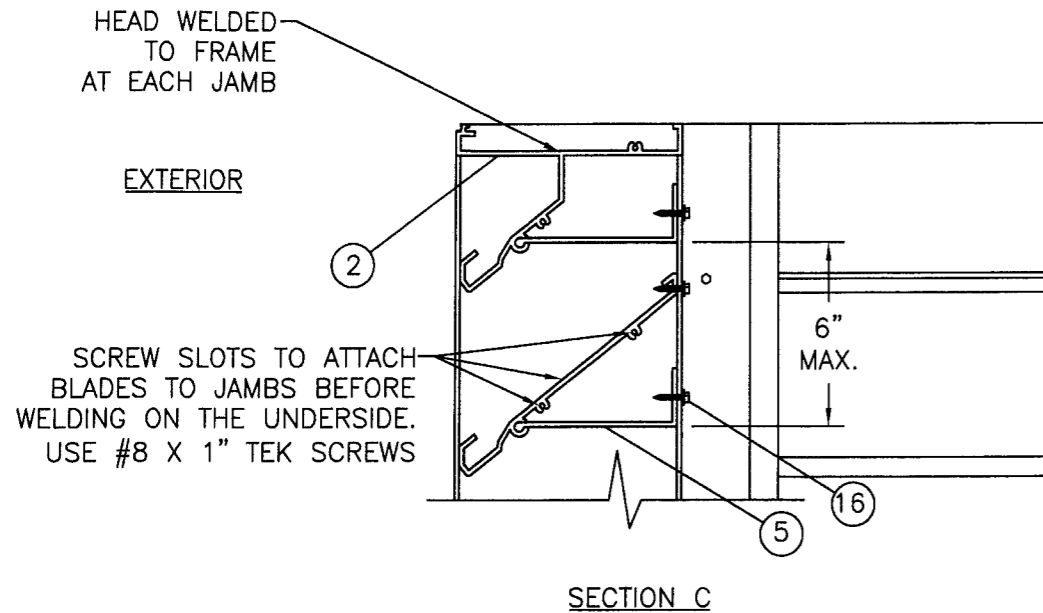
SYM	REVISION	DATE	BY
B	PER MIAMI DADE MARKUPS	12/08/2006	12/28/06 HFN
A	PER MIAMI DADE MARKUPS	08/15/2006	09/29/06 HFN

ESN
12/28/06
Eric S. Nielsen
Florida P. E. No. 41323
PTC, LLC.
1535 N. Cogswell St., Suite C-25
Rockledge, Florida 32955
FBPE Certificate of Authorization NO. 25935

LEADER INDUSTRIES, INC.
2509 CRUZEN ST., NASHVILLE, TN 37211
TITLE: DC-SDFE FAN ENCLOSURE LOUVER SYSTEMS
ANCHORING DETAILS

PREPARED BY:
PTC
Product Technology Corporation
Phone 321.690.1788 Fax 321.690.1789

DRN:	DRL	DATE:	01/12/06
SCALE:	N.T.S.	DWG. NO.:	LDR0005
REV:	B	SHEET:	2 OF 5



Approved as complying with the Florida Building Code
 Date: 02/08/07
 NOA#: 06-0403-07
 Miami Dade Product Control Division
 By: *M. Shaul*

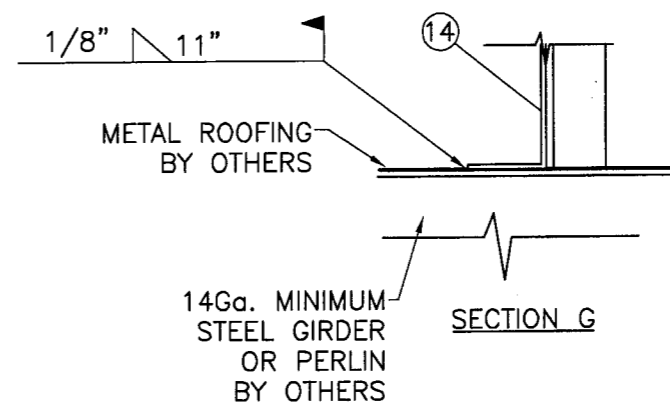
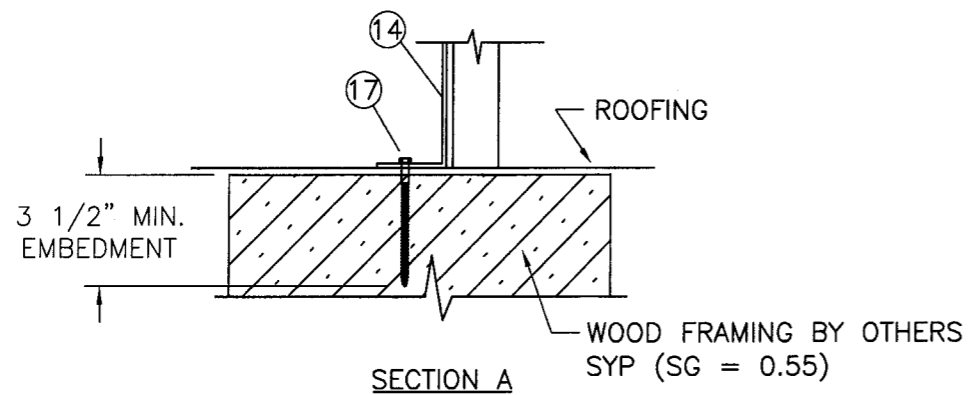
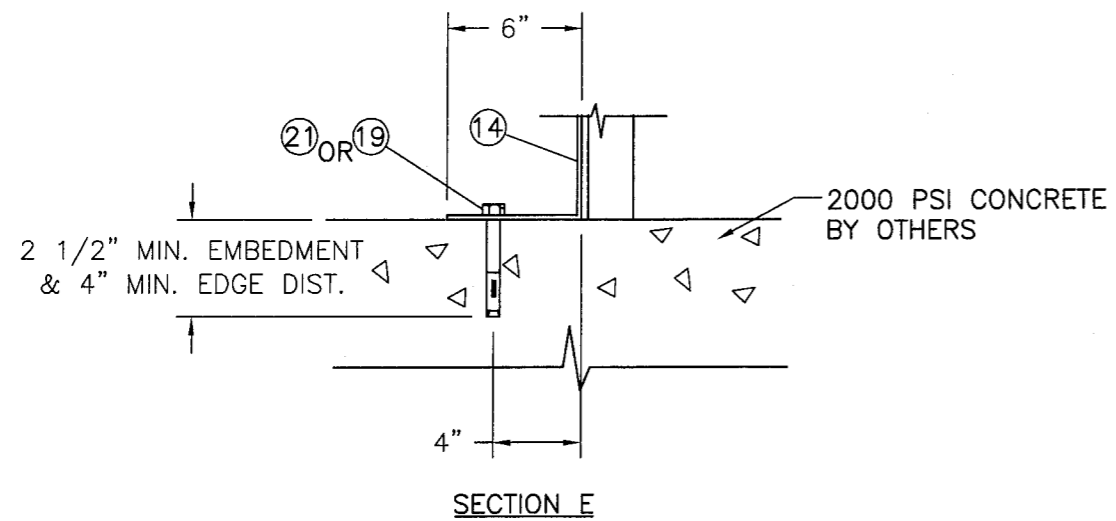
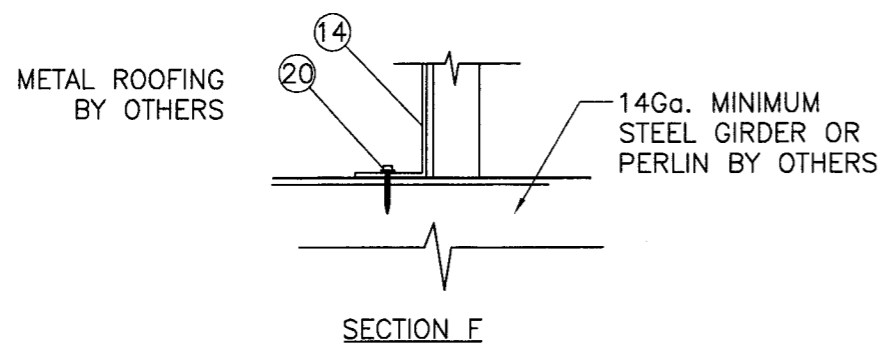
SYM	REVISION	DATE	BY
B	PER MIAMI DADE MARKUPS	12/08/2006	12/28/06 HFN
A	PER MIAMI DADE MARKUPS	08/15/2006	09/29/06 HFN

ESN
 12/28/06
 Eric S. Nielsen
 Florida P. E. No. 41323
 PTC, LLC.
 1535 N. Cogswell St., Suite C-25
 Rockledge, Florida 32955
 FBPE Certificate of Authorization NO. 25935

LEADER INDUSTRIES, INC.
 2509 CRUZEN ST., NASHVILLE, TN 37211
 TITLE: DC-SDFE FAN ENCLOSURE LOUVER SYSTEMS INSTALLATION DETAILS

PREPARED BY: **PTC** Product Technology Corporation
 Phone 321.690.1788 Fax 321.690.1789

DRN:	DRL	DATE:	01/12/06
SCALE:	N.T.S.	DWG. NO.:	LDR0005
REV:	B	SHEET:	3 OF 5



Approved as complying with the Florida Building Code
 Date 02/08/07
 NOA# 06-0403-07
 Miami Dade Product Control
 Division
 By: *M. Shatt*

SYM	REVISION	DATE	BY
B	PER MIAMI DADE MARKUPS	12/08/2006	12/28/06 HFN
A	PER MIAMI DADE MARKUPS	08/15/2006	09/29/06 HFN

ESN
 12/28/06
 Eric S. Nielsen
 Florida P. E. No. 41323
 PTC, LLC.
 1535 N. Cogswell St., Suite C-25
 Rockledge, Florida 32955
 FBPE Certificate of Authorization NO. 25935

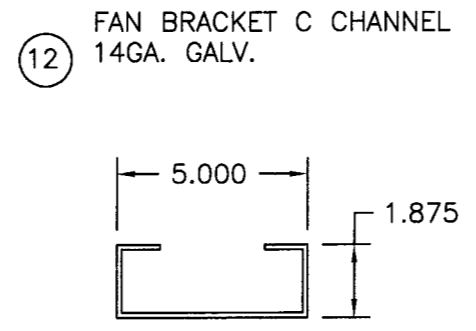
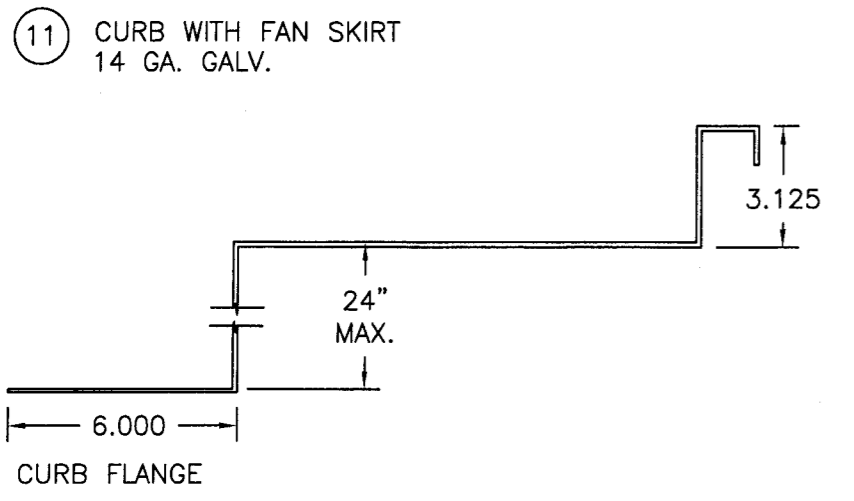
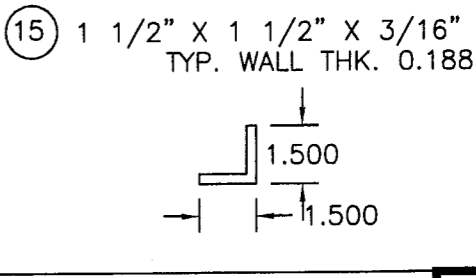
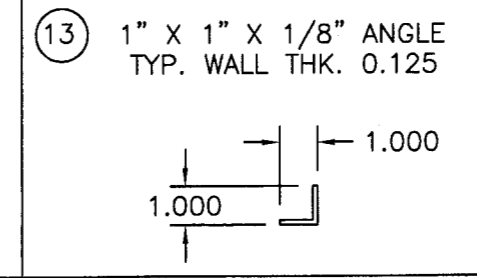
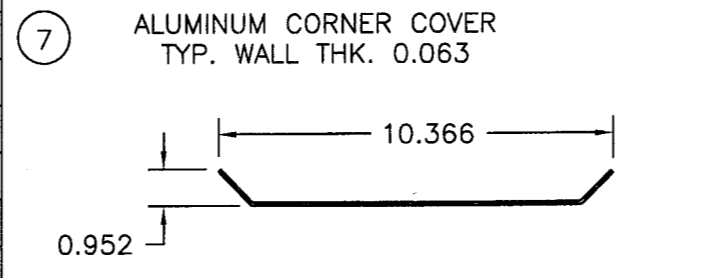
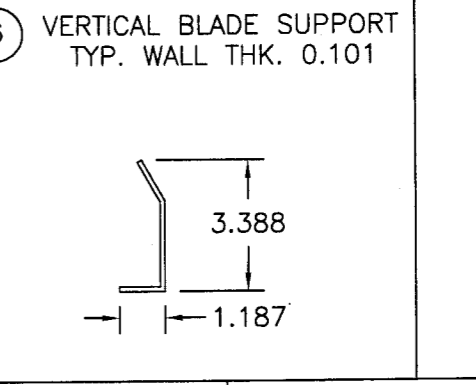
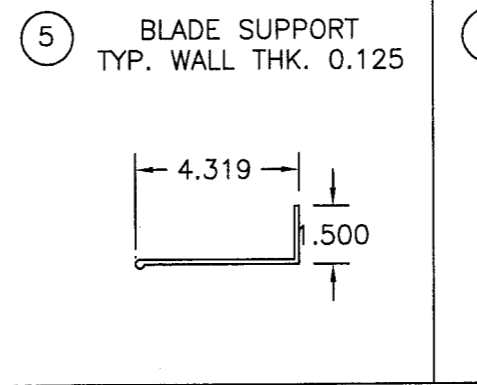
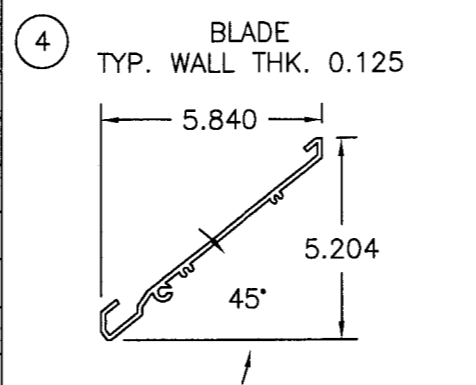
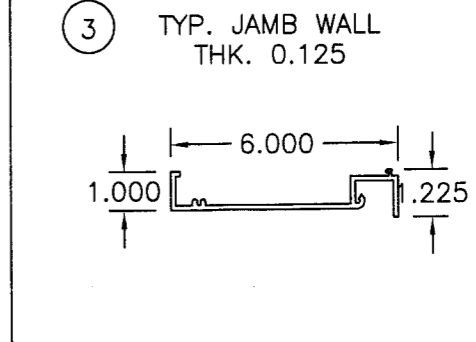
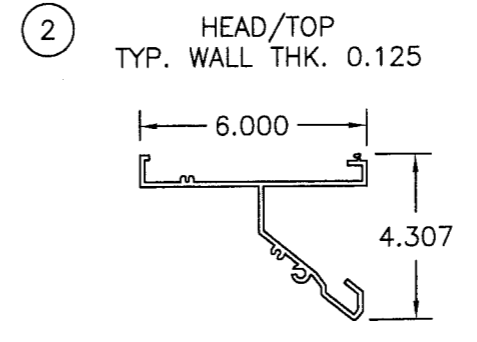
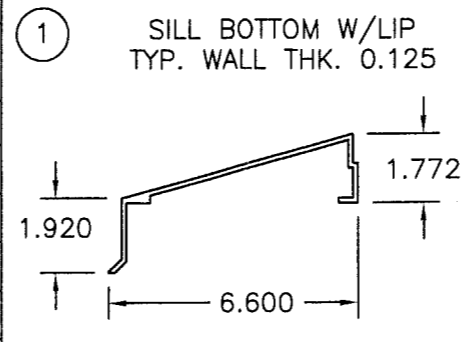
LEADER INDUSTRIES, INC.
 2509 CRUZEN ST., NASHVILLE, TN 37211
 TITLE: DC-SDFE FAN ENCLOSURE LOUVER SYSTEMS
 INSTALLATION AND ANCHORING DETAILS

PREPARED BY:
PTC
 Product Technology Corporation
 Phone 321.690.1788 Fax 321.690.1789

DRN:	DRL	DATE:	01/12/06
SCALE:	N.T.S.	DWG. NO.:	LDR0005
REV:	B	SHEET:	4 OF 5

DC-638 PENTHOUSE LOUVER SYSTEM

ITEM NO.	DESCRIPTION	DIE NO.	VENDOR
1	SILL/BOTTOM W/LIP EXTRUDED ALUMINUM	22855	LEADER
2	HEAD/TOP EXTRUDED ALUMINUM	22943	LEADER
3	JAMB EXTRUDED ALUMINUM	22852	LEADER
4	BLADE EXTRUDED ALUMINUM	22851	LEADER
5	BLADE SUPPORT EXTRUDED ALUMINUM	22854	LEADER
6	VERTICAL BLADE SUPPORT FORMED ALUMINUM		LEADER
7	0.063" ALUMINUM CORNER COVER		LEADER
8	NOT USED		LEADER
9	NOT USED		LEADER
10	NOT USED		LEADER
11	FAN SKIRT 14 GA. GALVANIZED STEEL		LEADER
12	FAN BRACKET C CHANNEL FORMED GALV. STEEL 14GA. OPTIONAL		LEADER
13	1" X 1" X 1/8" ALUMINUM ANGLE		LEADER
14	ROOF CURB 14 GA. GALVANIZED STEEL 24" MAX. HEIGHT		LEADER
15	1-1/2" X 1-1/2" X 3/16" STEEL ANGLE (1/4" THICK)		
16	#12-14 X 1 1/2" TEK SCREW		
17	7/16" LAG BOLT INSTALLATION ANCHOR		
18	1/4-20 BOLT, NUT & WASHER		
19	3/8" DIAMETER HILTI KWIK BOLT II ANCHOR		HILTI
20	#12-3 POINT ITWBUILD EX MAXISEAL SCREW		ITWBUILD EX
21	1/4" ITW TAPCON ANCHOR		ITWBUILD EX
22	NOT USED		
23	1/4-20" X 1/2" SS CARRIAGE BOLT & WASHER & NUT		
24	1/4-20 X 1/2" SS HEX HEAD BOLT, LOCK NUT		
25	ALUMINUM RETAINING BAR 3/16" X 1" X 4" LONG		
26	5/16-18 X 2" SS HH BOLT, WASHER, NUTS & LOCK WASHER		



1) ALL ALUMINUM: 6063-T5 UNLESS OTHERWISE NOTED.
 2) THE 24" HIGH 14 GA. GALVANIZED ROOF CURB HAS WELDED CORNERS. 108" SIDE HAS (4) STEEL ANGLES 1.5 X 1.5 X 1/4 AT 24" FROM ENDS AND 20" O.C., WELDED TO CURB WITH (3) 1.5" WELDS. THE 96" SIDE HAS (3) STEEL ANGLES 1.5 X 1.5 1/4 AT 26" FROM ENDS AND 22" O.C., WELDED TO CURB WITH (3) 1.5 WELDS.

Approved as complying with the Florida Building Code
 Date 02/08/07
 NOA# 06-0403.07
 Miami Dade Product Control
 By: *M. Khatt*

SYM	REVISION	DATE	BY
B	PER MIAMI DADE MARKUPS	12/08/2006	12/28/06 HFN
A	PER MIAMI DADE MARKUPS	08/15/2006	09/29/06 HFN

ESN
12/28/06
 Eric S. Nielsen
 Florida P. E. No. 41323
 PTC, LLC.
 1535 N. Cogswell St., Suite C-25
 Rockledge, Florida 32955
 FBPE Certificate of Authorization NO. 25935

LEADER INDUSTRIES, INC.
 2509 CRUZEN ST., NASHVILLE, TN 37211
 TITLE: DC-SDFE FAN ENCLOSURE LOUVER SYSTEMS BOM AND UNIT COMPONENTS

PREPARED BY: **PTC** Product Technology Corporation
 Phone 321.690.1788 Fax 321.690.1789

DRN: DRL DATE: 01/12/06
 SCALE: N.T.S. DWG. NO: LDR0005
 REV: B SHEET: 5 OF 5