



**BUILDING CODE COMPLIANCE OFFICE (BCCO)
PRODUCT CONTROL DIVISION**

**MIAMI-DADE COUNTY, FLORIDA
METRO-DADE FLAGLER BUILDING
140 WEST FLAGLER STREET, SUITE 1603
MIAMI, FLORIDA 33130-1563
(305) 375-2901 FAX (305) 375-2908**

NOTICE OF ACCEPTANCE (NOA)

**Leader Industries Inc.
P.O. Box 40913
Nasville, TN 37204**

SCOPE: This NOA is being issued under the applicable rules and regulations governing the use of construction materials. The documentation submitted has been reviewed by Miami-Dade County Product Control Division and accepted by the Board of Rules and Appeals (BORA) to be used in Miami Dade County and other areas where allowed by the Authority Having Jurisdiction (AHJ).

This NOA shall not be valid after the expiration date stated below. The Miami Dade County Product Control Division (in Miami-Dade County) and/or the AHJ (in areas other than Miami Dade County) reserve the right to have this product or material tested for quality assurance purposes. If this product or material fails to perform in the accepted manner, the manufacturer will incur the expense of such testing and the AHJ may immediately revoke, modify, or suspend the use of such product or material within their jurisdiction. BORA reserves the right to revoke this acceptance, if it is determined by Miami-Dade county Product Control Division that this product or material fails to meet the requirements of the applicable building code.

This product is approved as described herein, and has been designed to comply with the Florida Building Code including the High Velocity Hurricane Zone.

DESCRIPTION: DC –PVB Vertical Blade Penthouse

APPROVAL DOCUMENT: Drawing No. **LDR0007**, titled "DC-PVB Penthouse Fan Enclosure " dated 12/07/06 with last revision on 06/05/07, sheets 1 thru 6 of 6 prepared PTC, LLC, signed and sealed by Eric S. Nielsen, P.E., bearing the Miami-Dade County Product Control Approval stamp with the NOA number and approval date by the Miami-Dade County Product Control Division.

MISSILE IMPACT RATING: Large and Small Missile Impact Resistant.

LABELING: Each unit shall bear a permanent label with the manufacturer's name or logo, city, state and following statement: "Miami-Dade County Product Control Approved ", unless otherwise noted herein.

RENEWAL of this NOA shall be considered after a renewal application has been filed and there has been no change in the applicable building code negatively affecting the performance of this product.

TERMINATION of this NOA will occur after the expiration date or if there has been a revision or change in the materials, use, and/or manufacture of the product or process. Misuse of this NOA as an endorsement of any product, for sales, advertising or any other purposes shall automatically terminate this NOA. Failure to comply with any section of this NOA shall be cause for termination and removal of NOA.

ADVERTISEMENT: The NOA number preceded by the words Miami-Dade County,Florida and followed by the expiration date may be displayed in advertising literature. If any portion of the NOA is displayed, then it shall be done in its entirety.

INSPECTION: A copy of this entire NOA shall be provided to the user by the manufacturer or its distributors and shall be available for inspection at the job site at the request of the Building Official.

This NOA, consists of this page, evidence page E1, as well as approval document mentioned above.

The submitted documentation was reviewed by **Mohammed Iqbal Shaikh, P.E.**



M
07/12/07

**NOA No.: 07-0305.08
Expiration Date: 08/02/12
Approval Date: 08/02/07
Page 1**

NOTICE OF ACCEPTANCE: EVIDENCE PAGE

A. DRAWINGS.

1. Drawing No. **LDR0007**, titled "DC-PVB Penthouse Fan Enclosure" dated 12/07/06 with last revision on 06/05/07, sheets 1 thru 6 of 6 prepared by PTC, LLC, signed and sealed by Eric S. Nielsen, P.E.
2. Manufacturer's extruded aluminum drawings and sections

B. TESTS.

1. Test report # NCTL 210-3258-1 on Large Missile Impact Test per TAS 201, Cyclic Wind Pressure Test per TAS 203, and Uniform Static Air Pressure Test per TAS 202, prepared by National Certified Testing Laboratories, dated 04/10/06, signed and sealed by Gerard J. Ferrara, P.E.

C. CALCULATIONS.

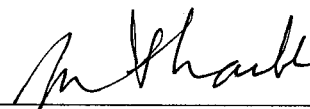
Calculations titled "DCPVB Aluminum Vertical Blade Louvered Penthouse" dated February 20, 2007 signed and sealed Eric S. Nielsen, P.E.

D. QUALITY ASSURANCE

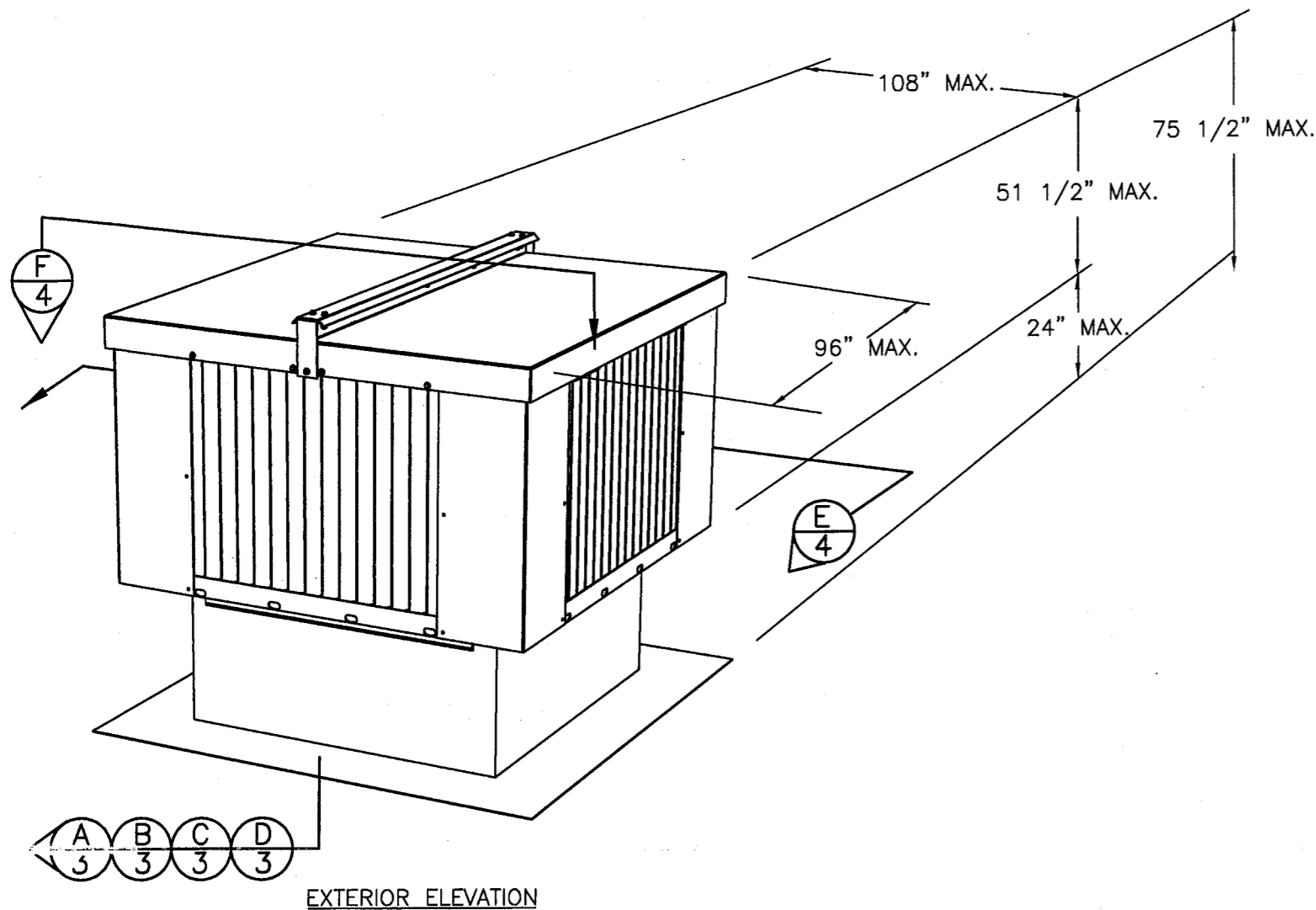
1. Miami-Dade county Building Code Compliance Office

E. STATEMENTS

1. FBC 2004 Code compliance letter and no Financial Interest letter issued by PTC, LLC on 02/28/07, signed and sealed by Eric S. Nielsen, P.E.

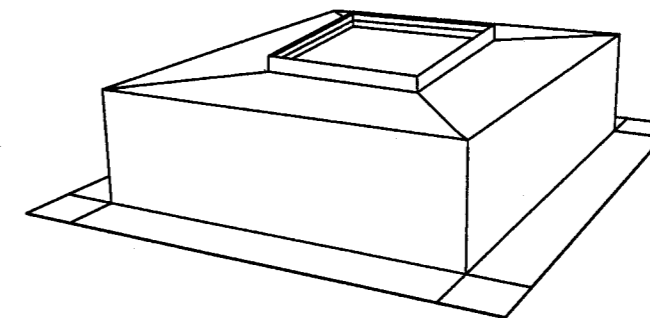


Mohammed Iqbal Shaikh, PE.
Sr. Building Code Compliance Specialist
NOA No.: 07-0305.08
Expiration Date: 08/02/12
Approval Date: 08/02/07



GENERAL NOTES:

- 1) THE PRODUCT SHOWN HEREIN IS DESIGNED AND MANUFACTURED TO COMPLY WITH THE 2004 FLORIDA BUILDING CODE (WITH 2005 AND 2006 SUPPLEMENTS) INCLUDING (HVHZ) HIGH VELOCITY HIGH HURRICANE ZONE.
- 2) ROOF SYSTEM MUST BE DESIGNED PROPERLY TO TRANSFER ALL LOADS TO THE STRUCTURE. ROOF SYSTEM IS RESPONSIBILITY OF ARCHITECT OR ENGINEER OF RECORD.
- 3) PRODUCTS ARE APPROVED FOR USE WHERE LARGE MISSILE IMPACT RESISTANCE IS REQUIRED. IMPACT PROTECTIVE SYSTEM IS NOT REQUIRED.
- 4) PRODUCT COMPLIES WITH THE ALUMINUM ASSOCIATION'S DESIGN MANUAL, 2005 EDITION, AISI COLD-FORMED STEEL MANUAL, 2002 EDITION.



CURB W/OPTIONAL FAN COLLAR

DESIGN PRESSURE RATING
+/-100.0 PSF

Approved as complying with the
Florida Building Code
Date 08/02/07
NOA# 07-0205-08
Miami Dade Product Control
Division
By [Signature]

DRAWING #	DESCRIPTION
1	ELEVATIONS & GENERAL NOTES
2	ANCHORING DETAILS & NOTES
3	INSTALLATION DETAILS
4-5	CROSS SECTIONS
6	COMPONENTS & BILL OF MATERIALS

SYM	REVISION	DATE	BY
A	CHANGES PER MIAMI-DADE RFI LETTER	8/05/07	TK

[Signature]
Eric S. Nielsen
Florida P. E. No. 41323
PTC, LLC
1535 Cogswell Street, Suite C25
Rockledge, Florida 32955
FBPE Certificate of Authorization NO. 25935

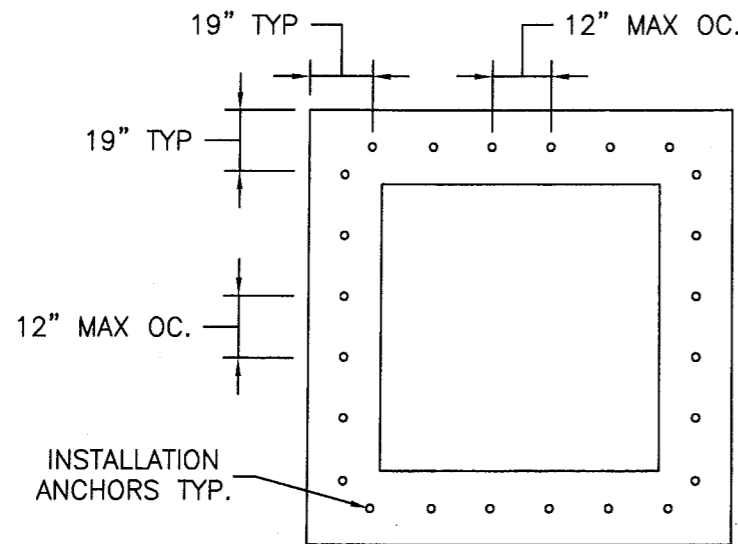
LEADER INDUSTRIES, INC.
P.O. BOX 40913, NASHVILLE, TN 37204

TITLE: DC-PVB PENTHOUSE FAN ENCLOSURE
ELEVATIONS AND GENERAL NOTES

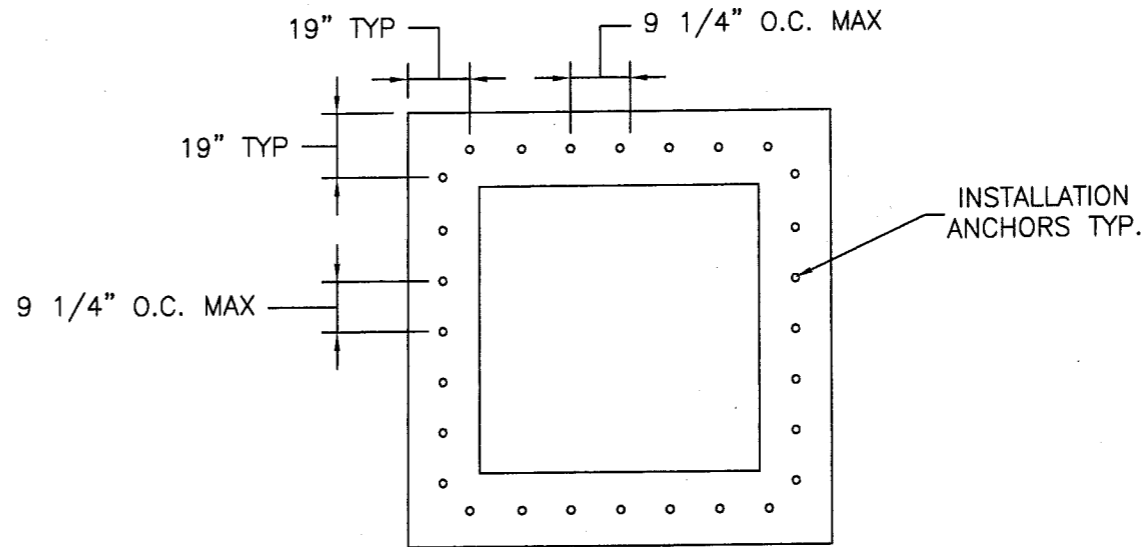
PREPARED BY: **PTC**
PTC, LLC

DRN: DRL	DATE: 12/07/06
SCALE: N.T.S.	DWG. NO: LDR0007
REV: A	SHEET: 1 OF 6

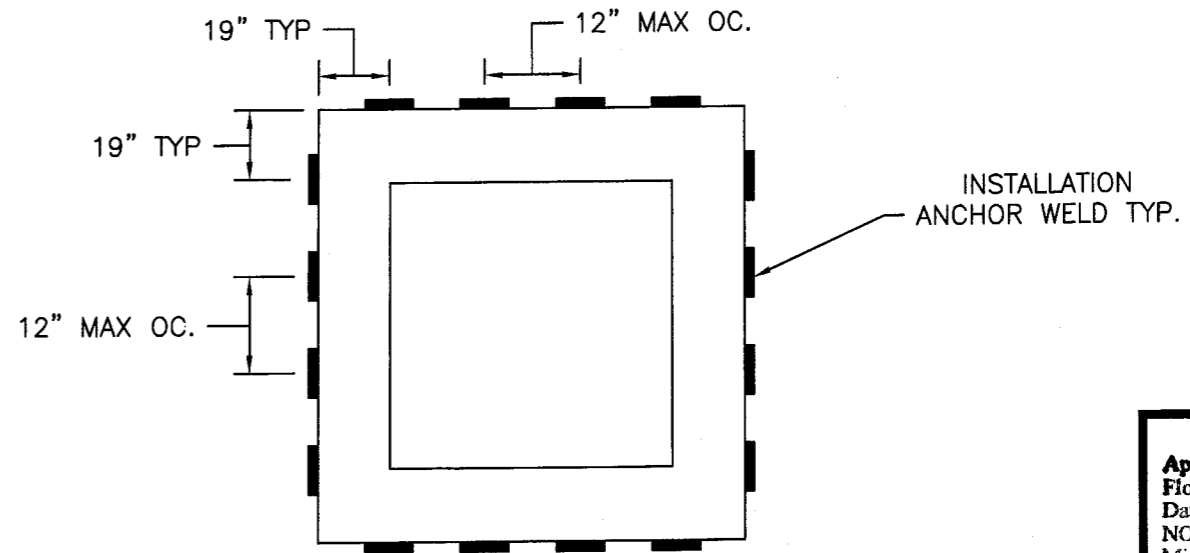
Phone 321.690.1788 Fax 321.690.1789



ANCHOR LAYOUT
FOR 3/8" - HILTI KWIK BOLT III IN MASONRY
AND 7/16" LAG BOLT IN WOOD



ANCHOR LAYOUT
FOR 1/4" - 3 POINT
ITW BUILDEX MAXISEAL



ANCHOR LAYOUT
FOR FILLET WELD

ANCHORING NOTES:

- 1) SUBSTRATES, ANCHOR TYPES & SPACING ARE AS FOLLOWS:
 - A) CONCRETE DECKING USE 3/8" DIA. HILTI KWIK BOLT III ANCHORS OF SUFFICIENT LENGTH TO ACHIEVE MIN. OF 2 1/2" EMBEDMENT INTO CONCRETE.
 - B) WOOD FRAME DECKING, USE 7/16" DIA. LAG BOLT OF SUFFICIENT LENGTH TO ACHIEVE 3-1/2" MIN. EMBEDMENT INTO WOOD DECKING.
 - C) STEEL GIRDER OR PERLIN WITH METAL DECKING, USE 1/4"-3 POINT ITW BUILDEX MAXISEAL SCREW OR 7/8" LONG FILLET WELD.
- 2) ALL ROOFING DETAILS SHALL COMPLY WITH CHAPTER 15 OF THE FLORIDA BUILDING CODE.

Approved as complying with the
Florida Building Code
Date 08/02/07
NCA# 07-0305-08
Miami Dade Product Control
Division
By M. Phair

SYM	REVISION	DATE	BY
A	CHANGES PER MIAMI-DADE RFI LETTER	6/05/07	TK

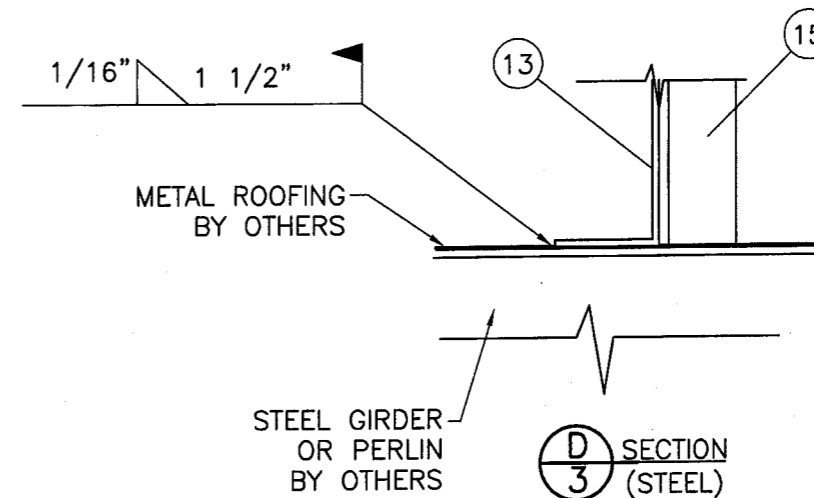
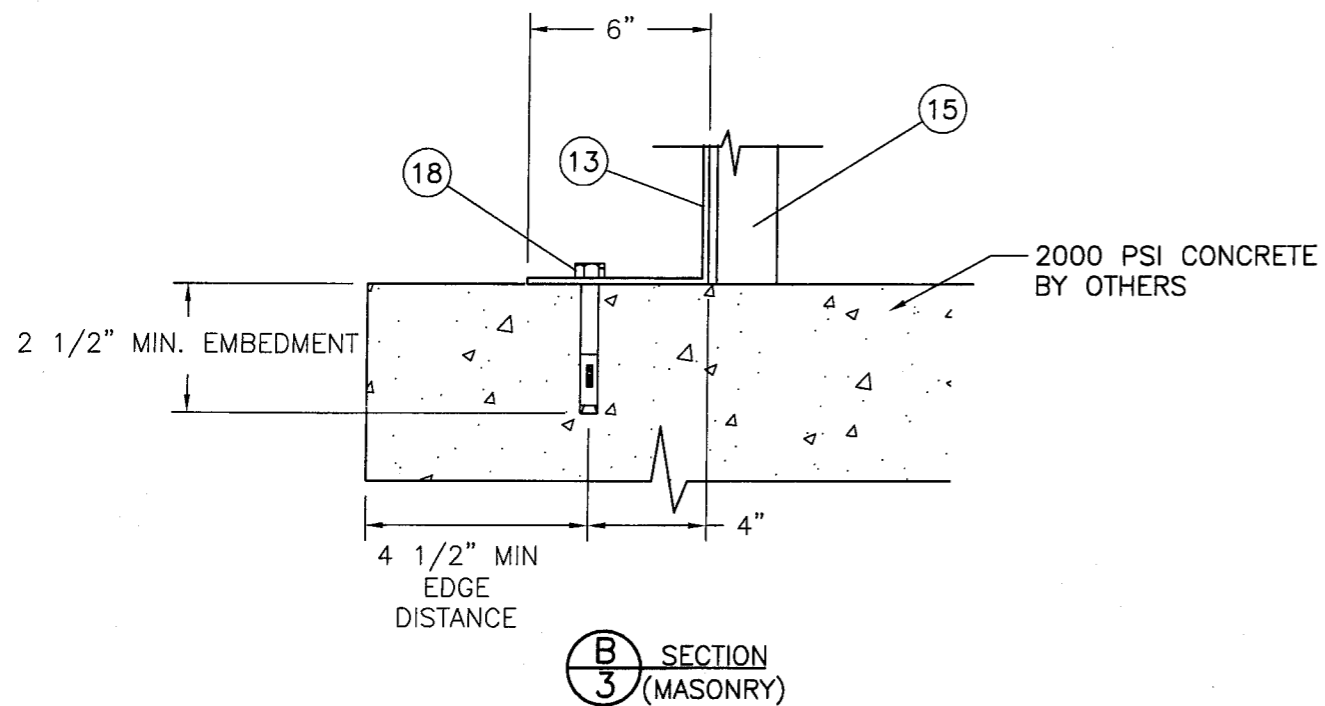
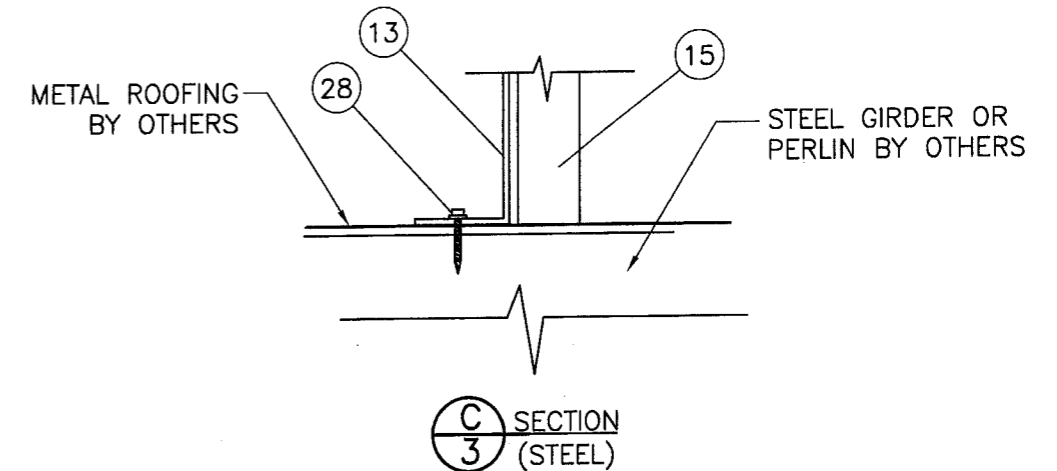
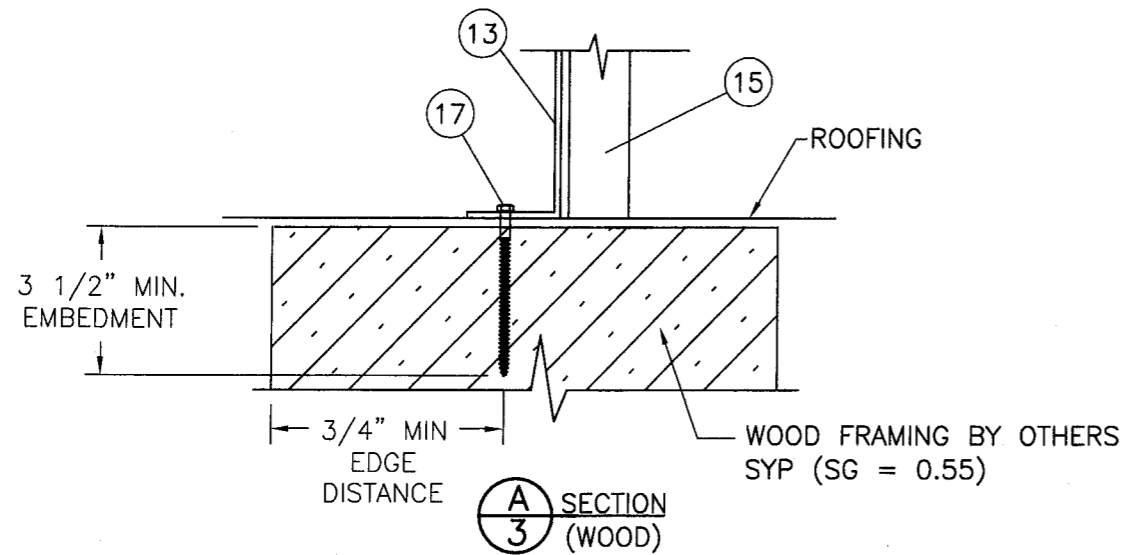
ESN
6/28/07
Eric S. Nielsen
Florida P. E. No. 41323
PTC, LLC
1535 Cogswell Street, Suite C25
Rockledge, Florida 32955
FBPE Certificate of Authorization NO. 25935

LEADER INDUSTRIES, INC.
P. O. BOX 40913, NASHVILLE, TN 37204

TITLE: DC-PVB PENTHOUSE FAN ENCLOSURE
ANCHORING DETAILS AND NOTES

PREPARED BY: **PTC**
PTC, LLC
Phone 321.690.1788 Fax 321.690.1789

DRN: DRL	DATE: 12/07/06
SCALE: N.T.S.	DWG. NO: LDRO007
REV: A	SHEET: 2 OF 6



Approved as complying with the Florida Building Code
 Date 09/02/07
 NOA# 07-0305-08
 Miami Dade Product Control Division
 By [Signature]

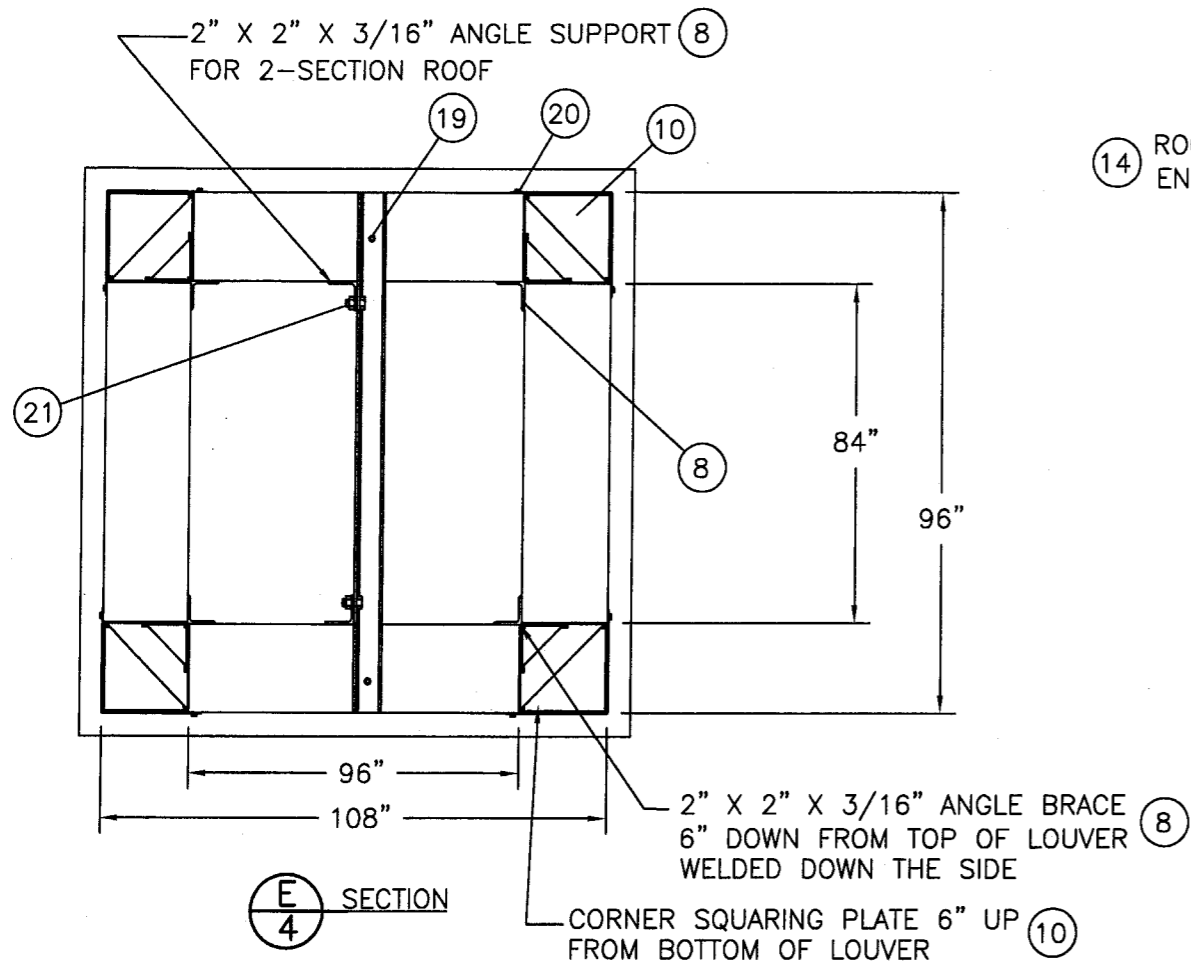
SYM	REVISION	DATE	BY
A	CHANGES PER MIAMI-DADE RFI LETTER	6/05/07	TK

[Signature]
 6/28/07
 Eric S. Nielsen
 Florida P. E. No. 41323
 PTC, LLC
 1535 Cogswell Street, Suite C25
 Rockledge, Florida 32955
 FBPE Certificate of Authorization NO. 25935

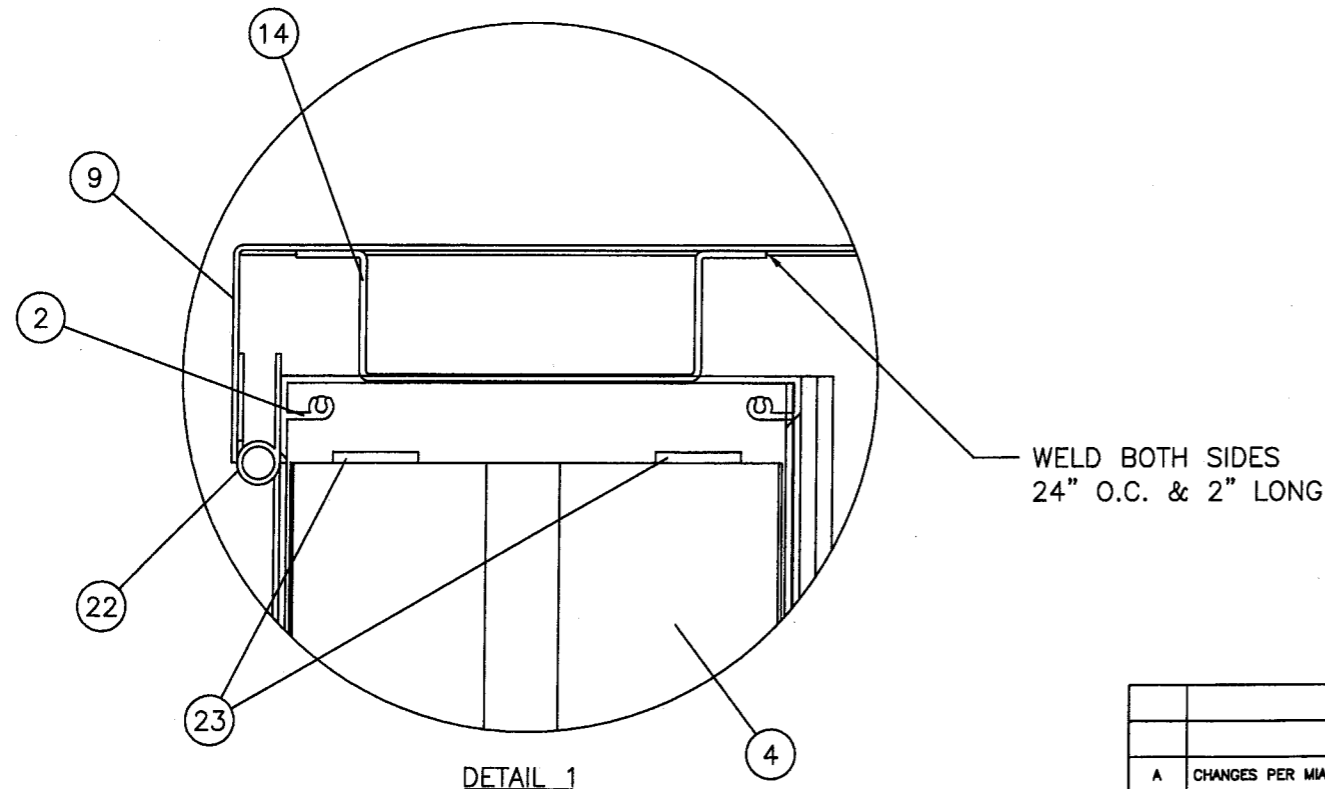
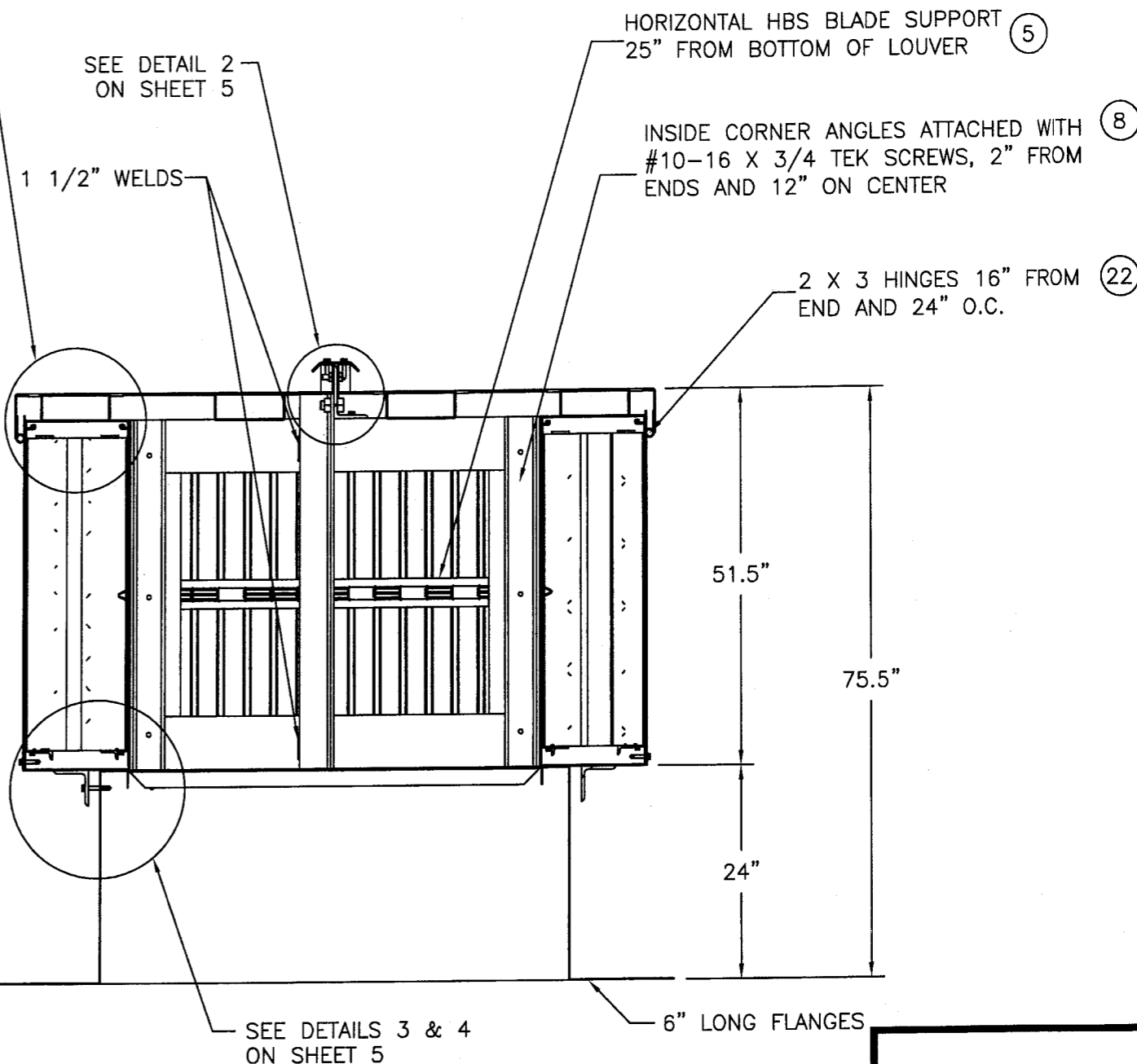
LEADER INDUSTRIES, INC.
 P. O. BOX 40913, NASHVILLE, TN 37204
 TITLE: DC-PVB PENTHOUSE FAN ENCLOSURE
 INSTALLATION DETAILS

PREPARED BY: PTC PTC, LLC	DRN: DRL	DATE: 12/07/06
	SCALE: N.T.S.	DWG. NO: LDR0007
	REV: A	SHEET: 3 OF 6

Phone 321.690.1788 Fax 321.690.1789



(14) ROOF SUPPORTS 4" FROM ENDS AND 6" ON CENTER SEE DETAIL 1

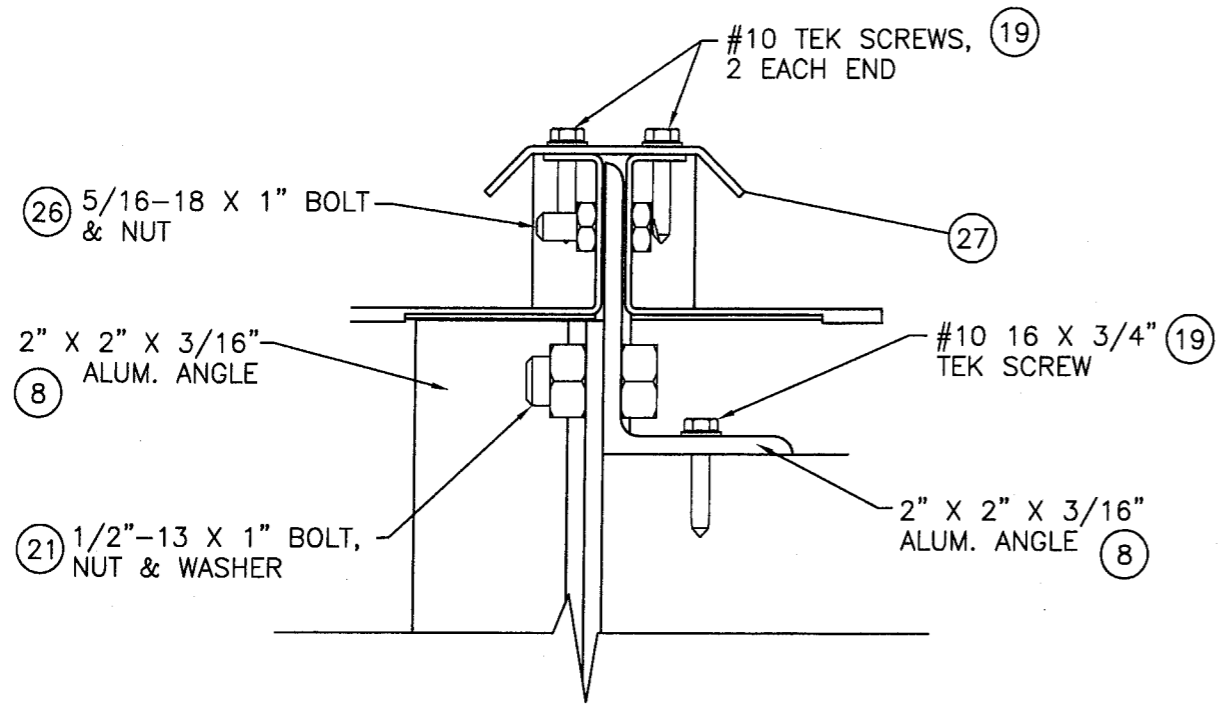


Approved as complying with the
Florida Building Code
Date 08/02/07
NOA# 07-0305-08
Miami Dade Product Control
Division
By *M. K. Harte*

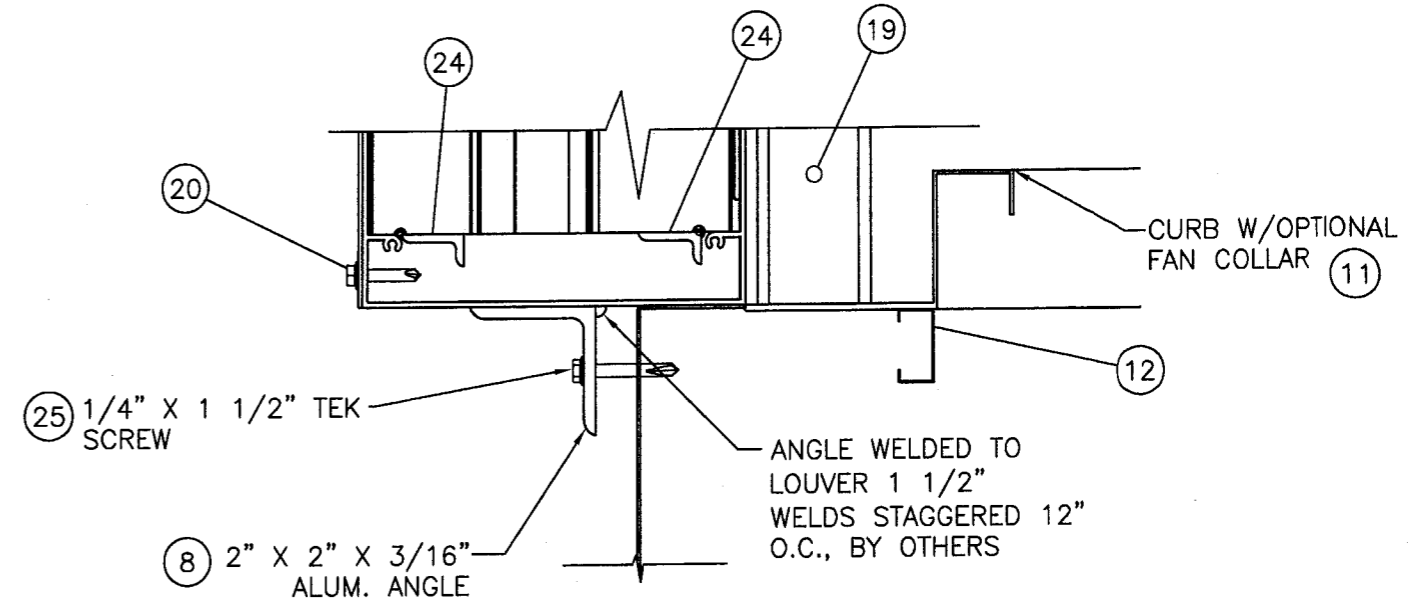
ESN
6/28/07
Eric S. Nielsen
Florida P. E. No. 41323
PTC, LLC
1535 Cogswell Street, Suite C25
Rockledge, Florida 32955
FBPE Certificate of Authorization NO. 25935

LEADER INDUSTRIES, INC.
P. O. BOX 40913, NASHVILLE, TN 37204
TITLE: DC-PVB PENTHOUSE FAN ENCLOSURE
CROSS SECTIONS
PREPARED BY: **PTC**
DRN: DRL DATE: 12/07/06
SCALE: N.T.S. DWG. NO: LDRO007
REV: A SHEET: 4 OF 6
Phone 321.690.1788 Fax 321.690.1789

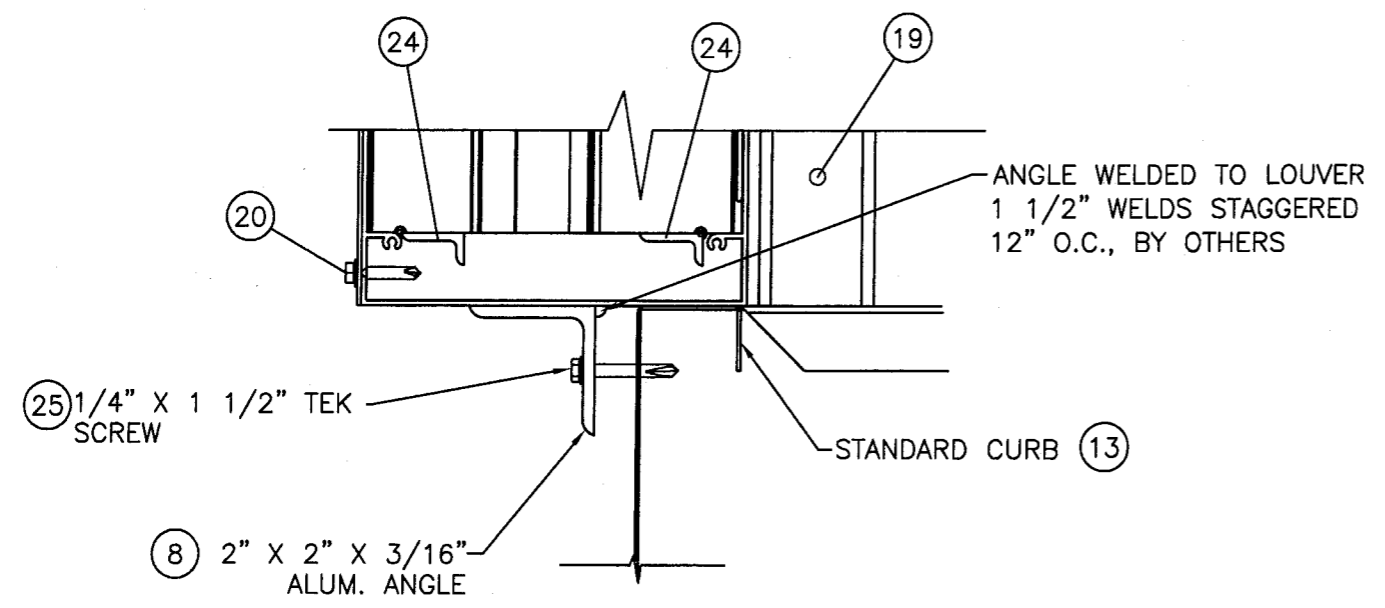
SYM	REVISION	DATE	BY
A	CHANGES PER MIAMI-DADE RFI LETTER	6/05/07	TK



DETAIL 2
ROOF SECURING
DETAIL



DETAIL 4
OPTIONAL CURB
MOUNTING DETAIL



DETAIL 3
STANDARD CURB
MOUNTING DETAIL

Approved as complying with the
Florida Building Code
Date 08/02/07
NOA# 07-0305-08
Miami Dade Product Control
Division
By [Signature]

SYM	REVISION	DATE	BY
A	CHANGES PER MIAMI-DADE RFI LETTER	6/5/07	TK

[Signature]
Eric S. Nielsen
Florida P. E. No. 41323
PTC, LLC
1535 Cogswell Street, Suite C25
Rockledge, Florida 32955
FBPE Certificate of Authorization NO. 25935

LEADER INDUSTRIES, INC.
P. O. BOX 40913, NASHVILLE, TN 37204

TITLE: DC-PVB PENTHOUSE FAN ENCLOSURE
CROSS SECTIONS

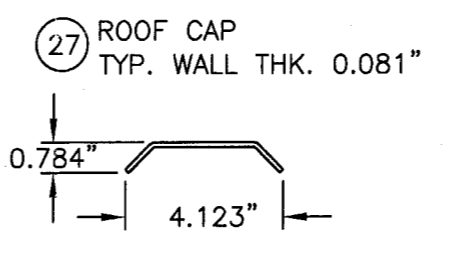
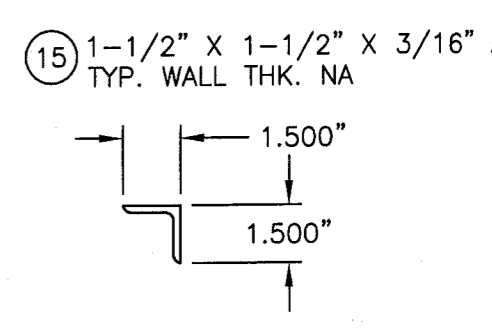
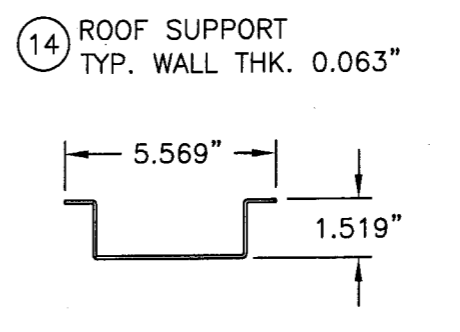
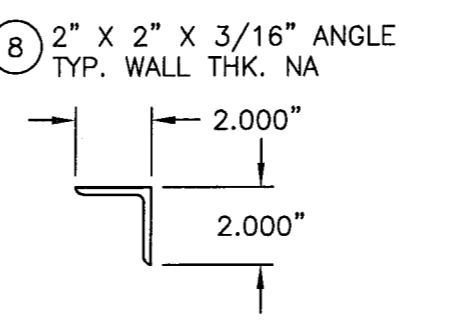
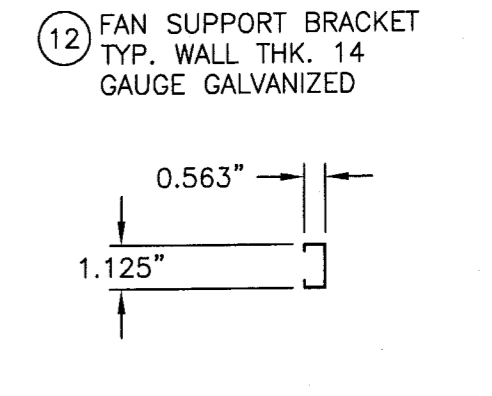
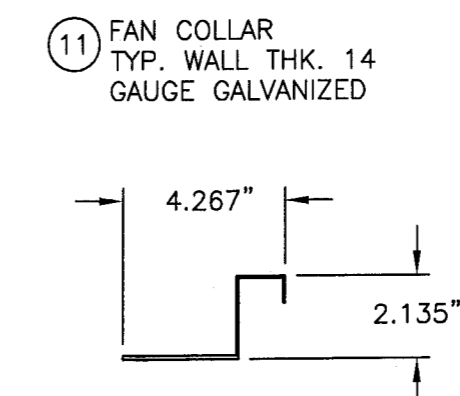
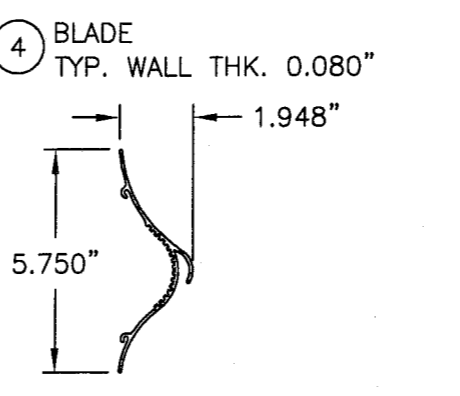
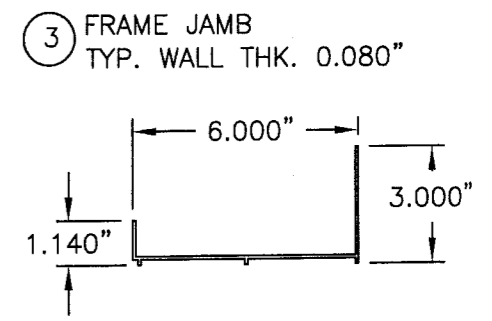
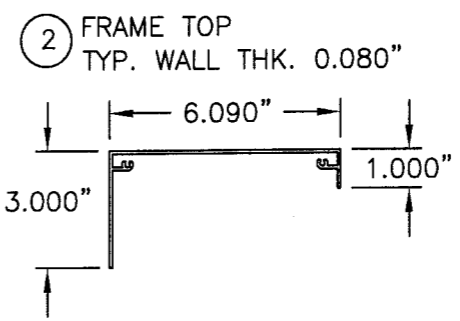
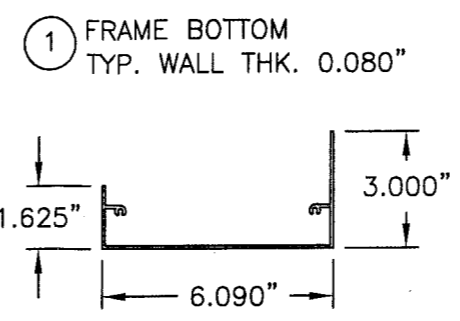
PREPARED BY: **PTC**
PTC, LLC

DRN: DRL DATE: 12/07/06
SCALE: N.T.S. DWG. NO: LDR0007
REV: A SHEET: 5 OF 6

Phone 321.690.1788 Fax 321.690.1789

DC-PVB PENTHOUSE LOUVER SYSTEM

ITEM NO.	DESCRIPTION	DIE NO.	VENDOR
1	SILL/BOTTOM W/LIP EXTRUDED ALUMINUM	22855	LEADER
2	HEAD/TOP EXTRUDED ALUMINUM	22943	LEADER
3	JAMB EXTRUDED ALUMINUM	22852	LEADER
4	BLADE EXTRUDED ALUMINUM	22851	LEADER
5	HORIZONTAL BLADE SUPPORT	22854	LEADER
6	VERTICAL BLADE SUPPORT FORMED ALUMINUM 0.010 (NOT SHOWN)		LEADER
7	0.063" ALUMINUM CORNER COVER (NOT SHOWN)		LEADER
8	2" X 2" X 3/16" ALUMINUM ANGLE		LEADER
9	ROOF SKIN 0.081" THICK ALUMINUM		LEADER
10	CORNER SQUARING PLATE 0.101"		LEADER
11	FAN COLLAR 14 GA. GALVANIZED STEEL (OPTIONAL)		LEADER
12	FAN SUPPORT BRACKET C CHANNEL FORMED GALV. STEEL 14GA. (OPTIONAL)		LEADER
13	ROOF CURB 14 GA. GALVANIZED STEEL 24" MAX. HEIGHT		LEADER
14	ROOF SUPPORT ALUMINUM 0.063"		LEADER
15	1-1/2" X 1-1/2" X 3/16" STEEL ANGLE		
16	#12-14 X 1 1/2" TEK SCREW		
17	7/16" LAG BOLT INSTALLATION ANCHOR W/ 3 1/2" MIN. EMBED.		
18	3/8" DIAMETER HILTI KWIK BOLT III ANCHOR W/ 2 1/2" MIN. EMBED.		HILTI
19	#10-16 X 3/4" TEK SCREW		
20	#10-16 X 1/2" SS		
21	1/2"-13 X 1" BOLT, NUT & WASHER		
22	HINGE		
23	1/8" X 1" ALUMINUM FLAT BAR		
24	1/2" X 1" X 1/8" ANGLE		
25	1/4" X 1-1/2" TEK SCREW W/ FULL PENETRATION		
26	5/16 -18 X 1" BOLT & NUT		
27	ROOF CAP 0.081		
28	1/4"-3 POINT ITW BUILDDEX MAXISEAL SCREW		BUILDDEX



⑳ 1/8" X 1" FLAT BAR TYP. WALL THK. 0.125"	⑳ 1/2" X 1" X 1/8" ANGLE TYP. WALL THK. NA

NOTE:
 1) ALL ALUMINUM: 6063-T5 UNLESS OTHERWISE NOTED
 2) ALL STEEL: COMMERCIAL STEEL TYPE B WHICH MEETS THE REQUIREMENTS OF ASTM A653/A653-05a STANDARDS
 MINIMUM YIELD STRENGTH: 35,000 PSI

Approved as complying with the Florida Building Code
 Date: 08/02/07
 Code: 07-0325-08
 Miami Code Product Control Division
 by: *M. Hall*

Eric S. Nielsen
 Eric S. Nielsen
 Florida P. E. No. 41323
 PTC, LLC
 1535 Cogswell Street, Suite C25
 Rockledge, Florida 32955
 FBPE Certificate of Authorization NO. 25935

LEADER INDUSTRIES, INC.
 P. O. BOX 40913, NASHVILLE, TN 37204

TITLE: DC-PVB PENTHOUSE FAN ENCLOSURE COMPONENTS & BILL OF MATERIALS

PREPARED BY: **PTC** PTC, LLC

DRN: DRL	DATE: 12/07/06
SCALE: N.T.S.	DWG. NO: LDR0007
REV: A	SHEET: 6 OF 6

Phone 321.690.1788 Fax 321.690.1789

SYM	REVISION	DATE	BY
A	CHANGES PER MIAMI-DADE RFI LETTER	6/05/07	TK