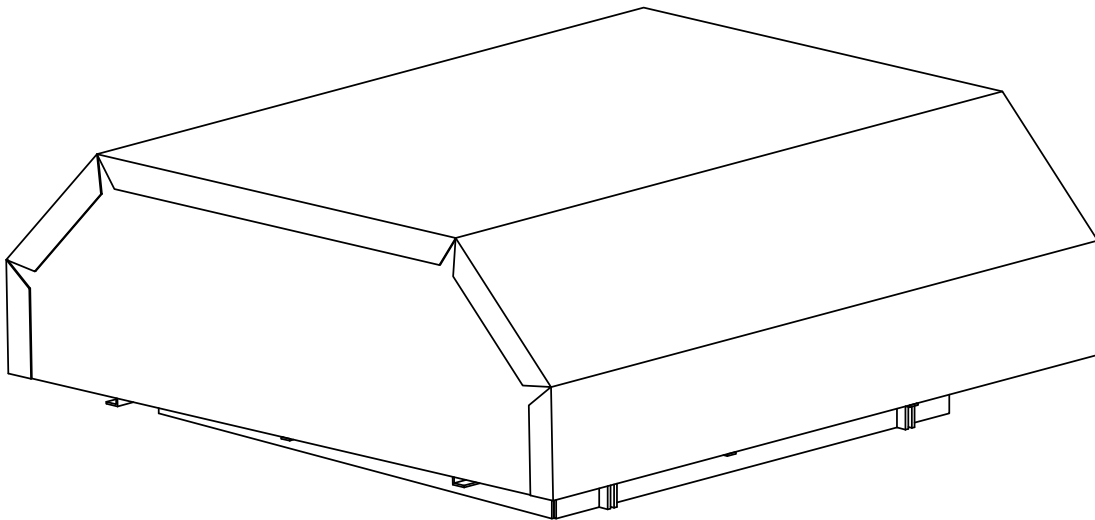


LEADER

Dampers & Louvers

Dade County Approved Hurricane Hood
Model DC-AGV



Options:

- Hinged
- Filter Racks
- Insect Screen
- EAD Damper Mounted in Throat of Curb
- Mill Finish (standard)
- Enamil Finish
- Kynar Finish
- Anticodensate Coating
- Powder Coating (Other Finishes Available)

Features:

- Hinging & Removing Capabilities
- Shipped Fully Assembled
- Easily Installed From Outer Perimeter
- Water Baffle

Notice of Acceptance Number: 09-0610.11

LEADER

Dampers & Louvers

P.O. Box 40913
Nashville, TN 37204
www.leaderindustries.com
A Division of Leader Industries, Inc.