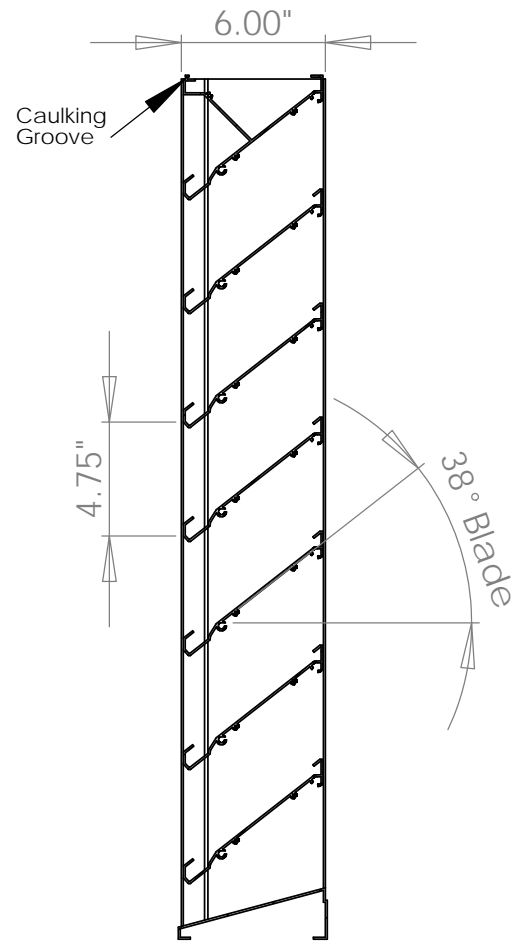
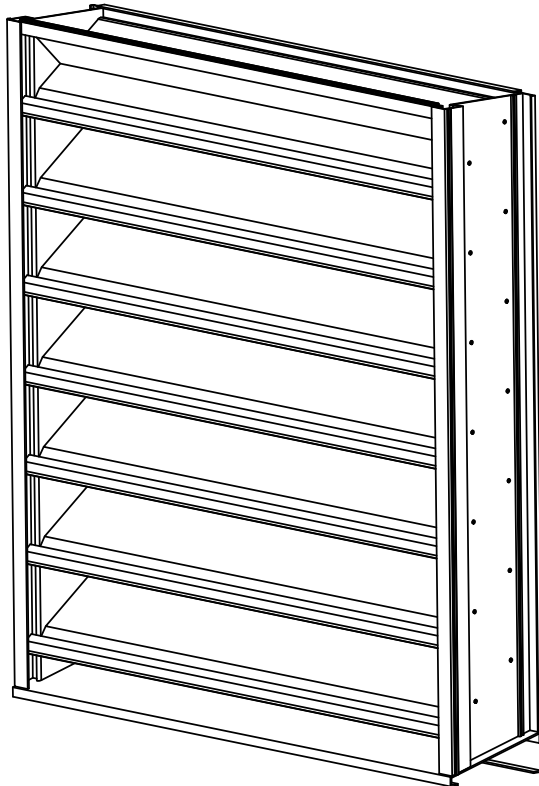


# Model: 638-SD

Extruded Aluminum Louver - Stationary Drainable Blade



## Standard Specifications:

**Frame:** 6063-T5 Alloy .081" thick extruded aluminum.

**Blade:** Drainable design .08" thick 6063-T5 extruded aluminum, mechanically fastened, set on 38 degree angles. Blades are 4.75" apart. (Bottom blade opening varies).

**Birdscreen:** 1/2" - 19ga. galvanized birdscreen standard

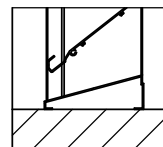
**Minimum size:**

11" height

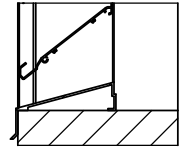
**Maximum Size:**

120"w x 96"h Single Section

**Sill Type A:**



**Sill Type B:**



## Options:

- Expanded Aluminum Birdscreen
- Removable Birdscreen
- Removable Insect Screen
- 1 1/2" Flange Frame
- Adjustable Sill Extension
- Kynar Finish
- Anodized Finish
- Powder Coating (Other Finishes Available)

**59% Free Area**

Note: All 638-CD louvers are built 1/4" under size both directions unless ordered actual size.

**LEADER**  
Dampers & Louvers

P.O. Box 40913

Nashville, TN 37204

www.leaderindustries.com

A Division of Leader Industries, Inc.

April. 1, 2010 - 638CD-01

# Model 638-SD Stationary Drainable Blade Extruded Aluminum Louver

# Model 638-CD Combination Drainable/Adjustable Blades Extruded Aluminum Louver

## CFM and FREE AREA Chart

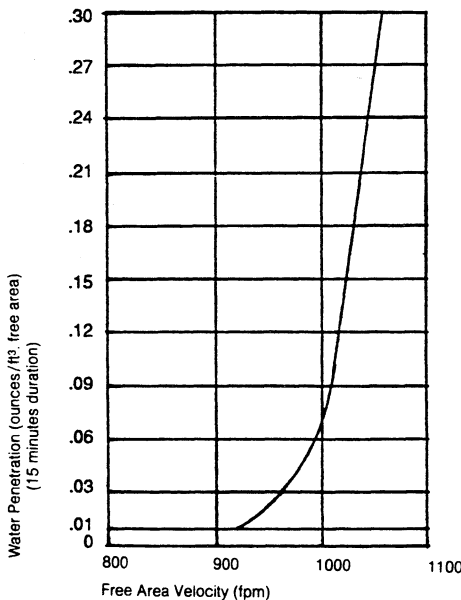
Height (inches)	Width (inches)													
	12	18	24	30	36	42	48	54	60	66	72	78	84	96
12	263 285	420 456	577 626	735 797	892 967	1051 1.14	1208 1.31	1365 1.48	1521 1.65	1678 1.82	1835 1.99	1992 2.16	2148 2.33	2462 2.67
18	546 592	872 946	1199 1.30	1521 1.65	1853 2.01	2176 2.36	2508 2.72	2831 3.07	3153 3.42	3485 3.78	3808 4.13	4131 4.48	4462 4.84	5117 5.55
24	810 879	1291 1.40	1779 1.93	2259 2.45	2748 2.98	2904 3.15	3716 4.03	4195 4.55	4684 5.08	5163 5.60	5652 6.13	6131 6.65	6620 7.18	7588 8.23
30	1014 1.10	1614 1.75	2222 2.41	2831 3.07	3430 3.72	4038 4.38	4647 5.04	5246 5.69	5855 6.35	6454 7.00	7063 7.66	7671 8.32	8270 8.97	9478 10.28
36	1291 1.40	2065 2.24	2840 3.08	3614 3.92	4389 4.76	5163 5.60	5938 6.44	6712 7.28	7487 8.12	8261 8.96	9036 9.80	9810 10.64	10585 11.48	12097 13.12
42	1577 1.71	2517 2.73	3458 3.75	4398 4.77	5338 5.79	6279 6.81	7219 7.83	8160 8.85	9100 9.87	10041 10.89	10981 11.91	11921 12.93	12862 13.95	14743 15.99
48	1826 1.98	2914 3.16	4001 4.34	5089 5.52	6177 6.70	7265 7.88	8353 9.06	9451 10.25	10538 11.43	11626 12.61	12724 13.80	13802 14.97	14890 16.15	17075 18.52
54	2028 2.20	3236 3.51	4444 4.82	5652 6.13	6860 7.44	8068 8.75	9275 10.06	10483 11.37	11691 12.68	12899 13.99	14107 15.30	15314 16.61	16522 17.92	17730 19.23
60	2323 2.52	3706 4.02	5099 5.53	6482 7.03	7865 8.53	9248 10.03	10631 11.53	12014 13.03	13397 14.53	14780 16.03	16163 17.53	17546 19.03	18929 20.53	20312 22.03
66	2600 2.82	4158 4.51	5716 6.20	7275 7.89	8833 9.58	10391 11.27	11949 12.96	13507 14.65	15065 16.34	16624 18.03	18182 19.72	19740 21.41	21298 23.10	22856 24.79
72	2840 3.08	4527 4.91	6224 6.75	7911 8.58	9598 10.41	11285 12.24	12973 14.07	14660 15.90	16347 17.73	18034 19.56	19722 21.39	21409 23.22	23096 25.05	24783 26.88
78	3070 3.33	4896 5.31	6731 7.30	8556 9.28	10382 11.26	12207 13.24	14033 15.22	15858 17.20	17684 19.18	19510 21.16	21335 23.14	23161 25.12	24986 27.10	26812 29.08
84	3347 3.63	5357 5.81	7358 7.98	9377 10.17	11387 12.35	13397 14.53	15407 16.71	17417 18.89	19427 21.07	21437 23.25	23446 25.43	25456 27.61	27466 29.79	29476 31.97
96	3854 4.18	6150 6.67	8446 9.16	10741 11.65	13037 14.14	15333 16.63	17629 19.12	19924 21.61	22137 24.01	24516 26.59	26812 29.08	29108 31.57	31403 34.06	33699 36.55

This table has been developed to assist in application and selection of these louvers. Two numbers are shown for each louver size. The upper number shows CFM of air flow permitted when selecting an intake louver at the point of zero water penetration. Pressure drop when using this Selection Guide for an intake louver will be .09 in. w.g. The lower number shows sq.ft. of louver free area for each louver size. Louvers may be selected at other operating points on the Performance Curves if desired using the formula. CFM = Free Area (sq. ft.) x Free Area Velocity (FPM)



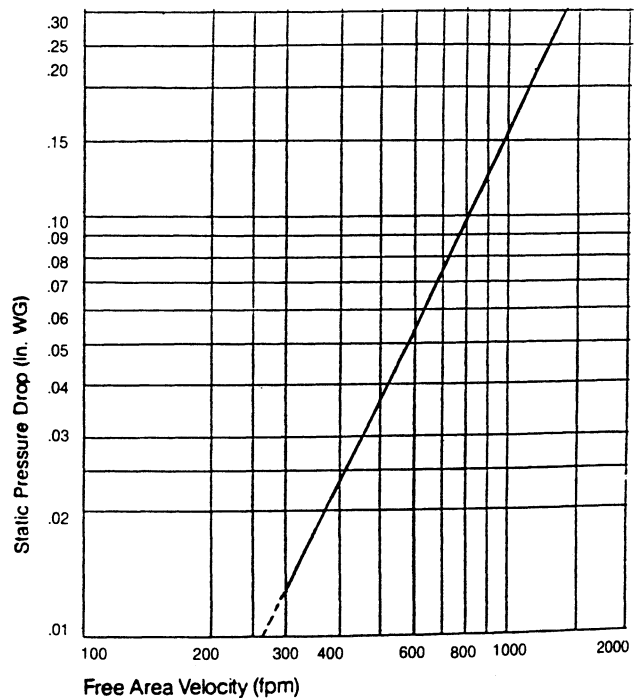
Leader certifies that model 638-SD louver shown here is licensed to bear the AMCA seal. The ratings shown are based on tests and procedures performed in accordance with AMCA Publication 511 and comply with the requirements of the AMCA certified ratings program. The AMCA certified ratings seal applies to air performance rating and water penetration rating. The 638-CD is not certified.

## Water Penetration Chart



Water Penetration Data applies to test unit size 48"x48" only. Beginning of Water Penetration is 922 FPM Free Area Velocity.

## Air Performance Chart



The AMCA certified rating seal applies to air capacities in intake mode only. Performance shown is at standard air density 0.075 lbs/ft³.