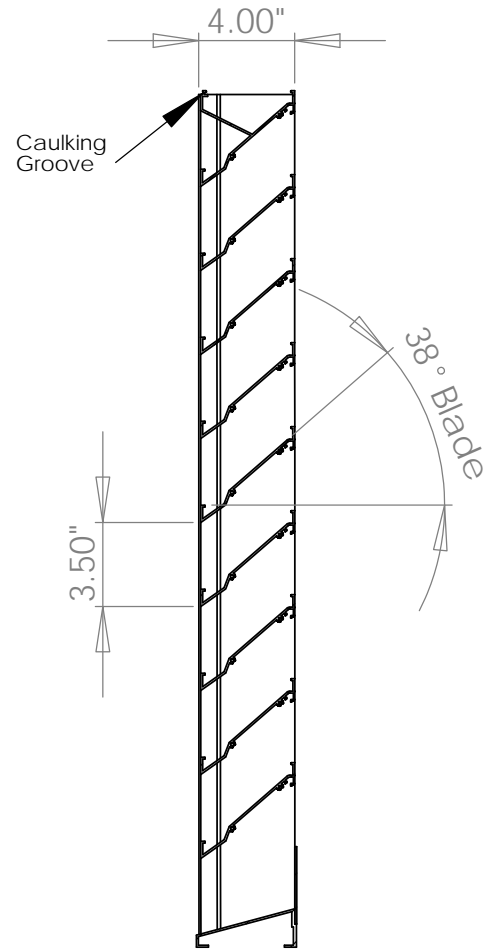
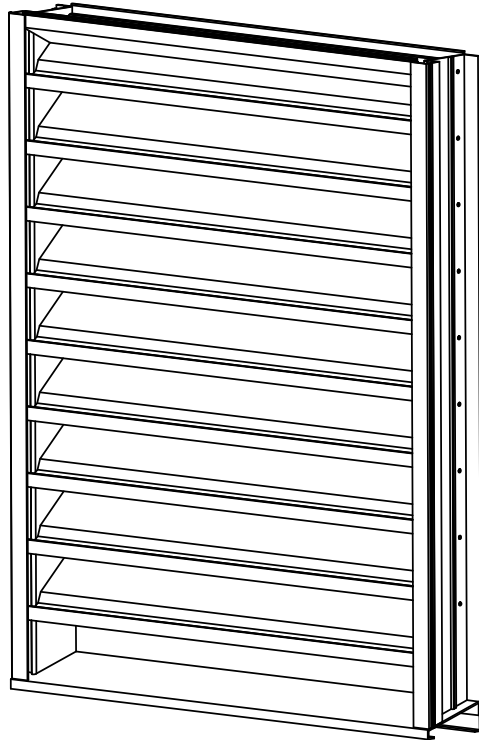


Model: 438-SD

Extruded Aluminum Louver - Stationary Drainable Blade



Standard Specifications:

Frame: 6063-T5 Alloy .081" thick extruded aluminum.

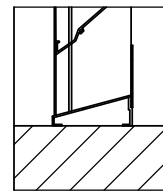
Blade: Drainable design .08" thick 6063-T5 extruded aluminum, mechanically fastened, set on 38 degree angles. Blades are 3.5" apart. (Bottom blade opening varies).

Birdscreen: 1/2" - 19ga. galvanized birdscreen standard

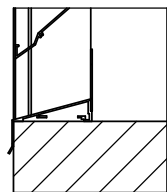
Minimum size:
8.38" height

Maximum Size:
120"w x 96"h Single Section.

Sill Type A



Sill Type B



Options:

- Expanded Aluminum Birdscreen
- Removable Birdscreen
- Removable Insect Screen
- 1 1/2" Flange Frame
- Adjustable Sill Extension
- Kynar Finish
- Anodized Finish
- Powder Coating (Other Finishes Available)

57% Free Area

Leader Industries, Inc. certifies that model 438-SD louver shown here is licensed to bear the AMCA seal. The ratings shown are based on test and procedures performed in accordance with AMCA Publication 511 and comply with the requirements of the AMCA certified ratings program. The AMCA certified ratings seal applies to air performance rating and water penetration rating.



Note: All 438-SD louvers are built 1/4" under size both directions unless ordered actual size.

LEADER

Dampers & Louvers

P.O. Box 40913
Nashville, TN 37204
www.leaderindustries.com
A Division of Leader Industries, Inc.

Model 438-SD Extruded Aluminum Louver

Stationary Drainable Blade

CFM and FREE AREA Chart

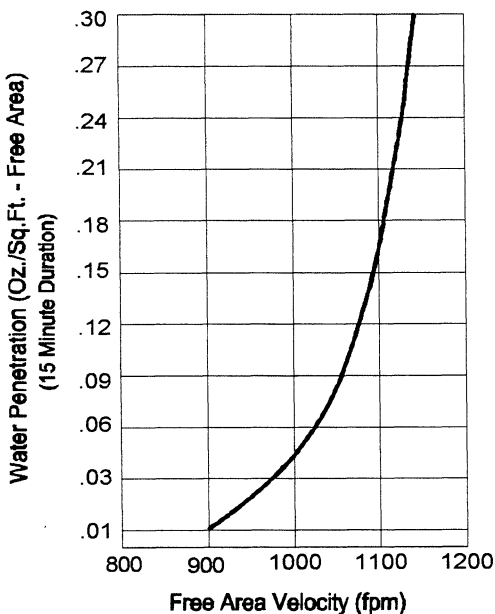
		WIDTH (in)													
		12	18	24	30	36	42	48	54	60	66	72	78	84	96
H E I G H T (in)	12	349 .39	558 .62	766 .85	975 1.09	1183 1.32	1391 1.55	1600 1.78	1808 2.02	2016 2.25	2225 2.48	2433 2.71	2641 2.94	2850 3.18	3267 3.64
	18	572 .64	914 1.02	1255 1.40	1596 1.78	1938 2.16	2279 2.54	2620 2.92	2962 3.30	3303 3.68	3644 4.06	3986 4.44	4327 4.82	4669 5.20	5351 5.97
	24	795 .89	1270 1.42	1744 1.94	2218 2.47	2692 3.00	3167 3.53	3641 4.06	4115 4.59	4590 5.12	5064 5.65	5538 6.17	6012 6.70	6487 7.23	7435 8.29
	30	1086 1.21	1734 1.93	2381 2.65	3029 3.38	3676 4.10	4324 4.82	4972 5.54	5619 6.26	6267 6.99	6915 7.71	7562 8.43	8210 9.15	8858 9.87	10153 11.32
	36	1321 1.47	2108 2.35	2896 3.23	3684 4.11	4471 4.98	5259 5.86	6047 6.74	6834 7.62	7622 8.50	8409 9.38	9197 10.25	9985 11.13	10772 12.01	12348 13.77
	42	1540 1.72	2459 2.74	3378 3.77	4297 4.79	5216 5.81	6134 6.84	7053 7.86	7972 8.89	8891 9.91	9809 10.94	10728 11.96	11647 12.98	12566 14.01	14403 16.06
	48	1800 2.01	2874 3.20	3947 4.40	5021 5.60	6094 6.79	7168 7.99	8241 9.19	9315 10.38	10388 11.58	11462 12.78	12535 13.97	13609 15.17	14682 16.37	16829 18.76
	54	2063 2.30	3293 3.67	4523 5.04	5754 6.41	6984 7.79	8214 9.16	9445 10.53	10675 11.90	11905 13.27	13136 14.64	14366 16.02	15596 17.39	16827 18.76	19287 21.50
	60	2286 2.55	3649 4.07	5012 5.59	6376 7.11	7739 8.63	9102 10.15	10465 11.67	11829 13.19	13192 14.71	14555 16.23	15918 17.75	17282 19.27	18645 20.79	21371 23.83
	66	2509 2.80	4005 4.46	5501 6.13	6997 7.80	8493 9.47	9990 11.14	11486 12.80	12982 14.47	14478 16.14	15974 17.81	17471 19.48	18967 21.14	20463 22.81	23455 26.15
72	2800 3.12	4469 4.98	6139 6.84	7809 8.71	9579 10.57	11149 12.43	12818 14.29	14488 16.15	16158 18.01	17828 19.87	19497 21.74	21167 23.60	22837 25.46	26176 29.18	
78	3031 3.38	4839 5.39	6647 7.41	8454 9.43	10262 11.44	12070 13.46	13878 15.47	15685 17.49	17493 19.50	19301 21.52	21109 23.53	22916 25.55	24724 27.56	28340 31.59	
84	3254 3.63	5195 5.79	7135 7.95	9076 10.12	11017 12.28	12957 14.45	14898 16.61	16839 18.77	18780 20.94	20720 23.10	22661 25.26	24602 27.43	26542 29.59	30424 33.92	
96	3776 4.21	6029 6.72	8281 9.23	10533 11.74	12785 14.25	15038 16.76	17290 19.28	19542 21.79	21794 24.30	24047 26.81	26299 29.32	28551 31.83	30803 34.34	35308 39.36	

This table has been developed to assist in application and selection of these louvers. Two numbers are shown for each louver size. The upper number shows CFM of air flow permitted when selecting an intake louver at the point of zero water penetration. Pressure drop when using this Selection Guide for an intake louver will be .13 in. wg. The lower number shows sq. ft. of louver free area for each louver size. Louvers may be selected at other operating points on the Performance Curves if desired using the formula. CFM=Free Area (sq.ft.) X Free Area Velocity (fpm)



Leader certifies that model 438-SD louver shown here is licensed to bear the AMCA seal. The ratings shown are based on tests and procedures performed in accordance with AMCA Publication 511 and comply with the requirements of the AMCA certification ratings program. The AMCA certification seal applies to air performance rating and water penetration rating.

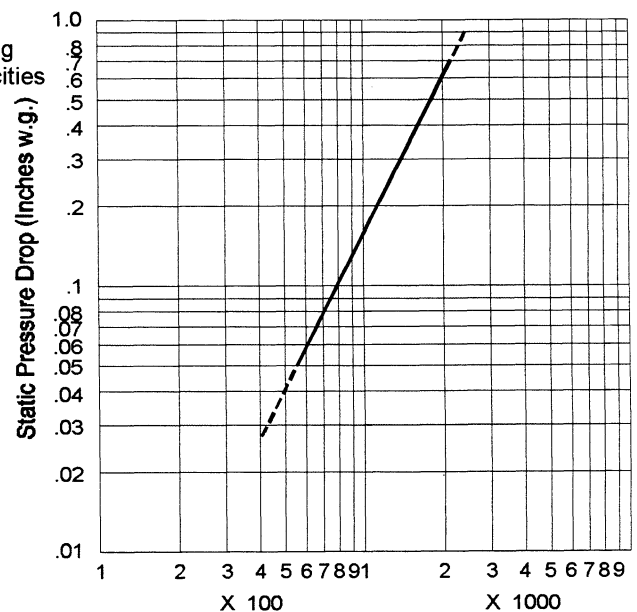
Water Penetration Chart



Water Penetration Data applies to test unit size 48" x 48" only. Beginning of Water Penetration is 897 fpm Free Area Velocity.

The AMCA certified rating Seal applies to air capacities In intake mode only. Performance shown is At standard air density .075 lbs/ft³.

Air Performance Chart



Ratings do not include the effects of birdscreen.



A Division of Leader Industries, Inc.

P.O. Box 40913
Nashville, TN 37204
www.leaderindustries.com