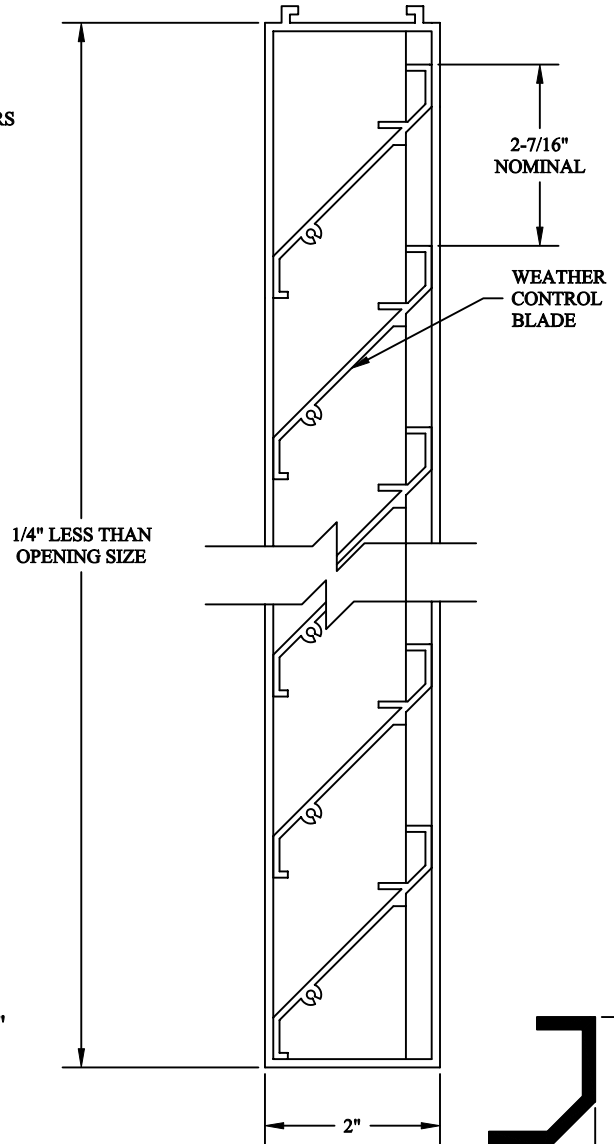
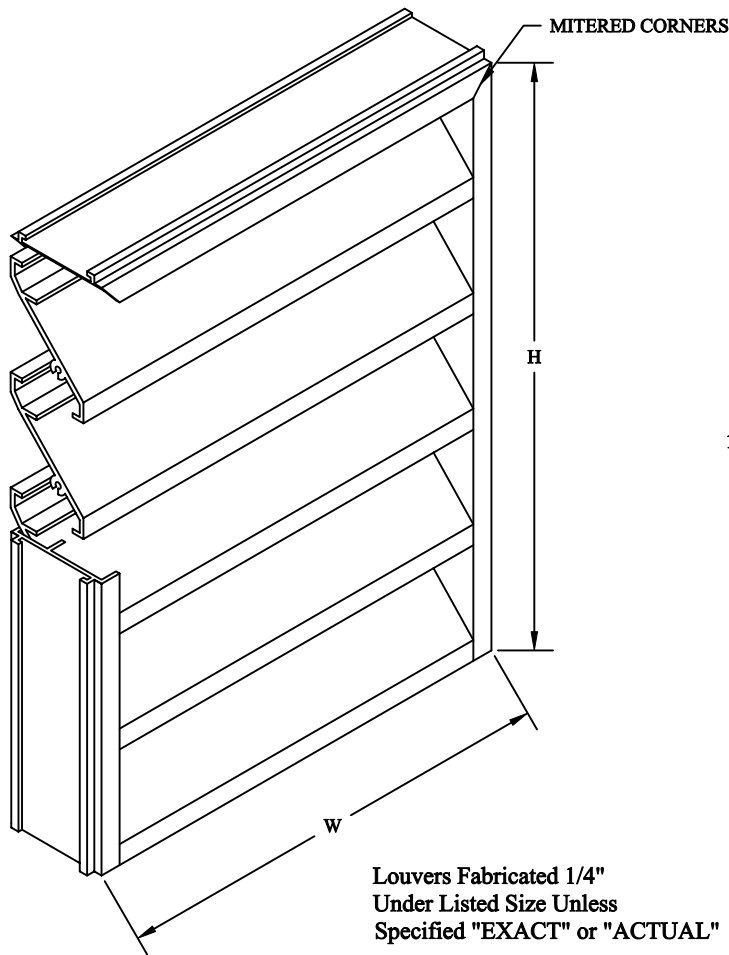


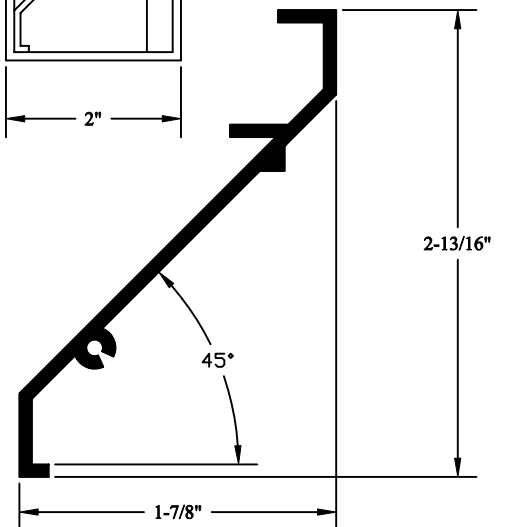
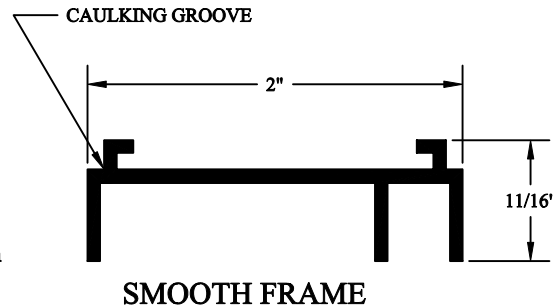
Model 245-SW Extruded Aluminum Louver

Stationary Blade



SPECIFICATIONS:

- 6063-T5 Alloy 14ga. (.060) extruded aluminum
- 45° Weather control blade standard
- 1/2" 19ga. galvanized birdscreen standard
- Optional: Removable birdscreen
- Removable insect screen
- 1-1/2" Flange Frame
- Sill Extension
- Minimum size: 5" high
- Maximum size: Single section 120" wide x 60" high



JOB: _____

LOCATION: _____ JOB NO.: _____

ENGINEER: _____ REPRESENTATIVE: _____

CONTRACTOR: _____ DATE: _____

LEADER
Dampers & Louvers

P.O. Box 40913
Nashville, TN 37204
www.leaderindustries.com
A Division of Leader Industries, Inc.

Approval: _____



Model **245-SW** Extruded Aluminum Louver Stationary Blade

FREE AREA PERFORMANCE DATA

WIDTH

	6	12	18	24	30	36	42	48	54	60	66	72	78	84
6	.045	.091	.137	.183	.228	.274	.320	.365	.411	.456	.502	.550	.593	.639
12	.183	.365	.548	.730	.912	1.09	1.28	1.46	1.64	1.83	2.01	2.19	2.37	2.56
18	.274	.548	.821	1.10	1.37	1.64	1.92	2.19	2.47	2.74	3.01	3.29	3.56	3.83
24	.456	.912	1.37	1.82	2.28	2.74	3.19	3.65	4.11	4.56	5.02	5.48	5.93	6.39
30	.502	1.00	1.51	2.01	2.51	3.01	3.51	4.02	4.52	5.02	5.52	6.02	6.52	7.03
36	.662	1.32	1.99	2.65	3.31	3.97	4.64	5.30	5.96	6.62	7.28	7.95	8.61	9.27
42	.730	1.46	2.19	2.92	3.65	4.38	5.11	5.84	6.57	7.30	8.03	8.76	9.49	10.22
48	.834	1.67	2.50	3.34	4.17	5.01	5.84	6.67	7.51	8.34	9.18	10.01	10.85	11.68
54	.958	1.92	2.87	3.83	4.79	5.75	6.70	7.67	8.62	9.58	10.54	11.50	12.46	13.41
60	1.05	2.10	3.15	4.20	5.25	6.30	7.34	8.39	9.44	10.49	11.54	12.59	13.64	14.69

HEIGHT

SPECIFICATIONS:

6063-T5 Alloy 14 ga. (.060) Extruded Aluminum

45° Weather control blade standard

½" 19 ga. Galvanized birdscreen standard

Optional: Removable birdscreen

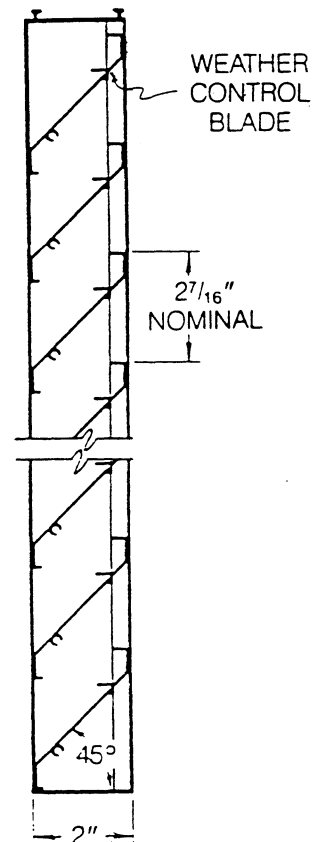
Removable insect screen

1½" flange frame

Sill Extension

Minimum Size: 5" High

Maximum Size: Single section 120" wide x 60" wide



LEADER

A Division of Leader Industries, Inc.

P.O. Box 40913
Nashville, TN 37204
www.leaderindustries.com