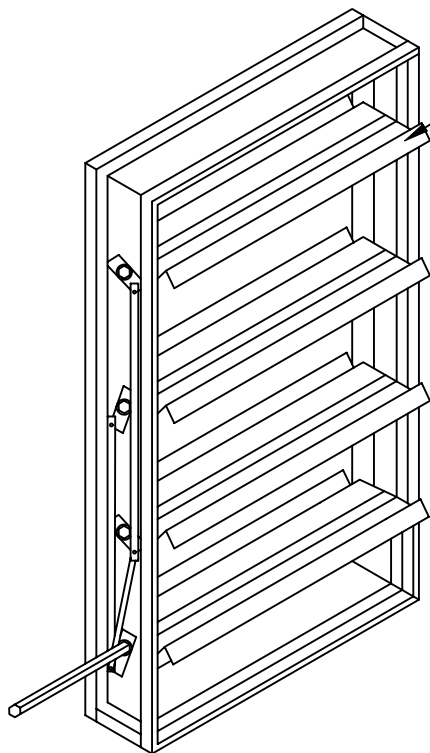


Model WM-DO-3 Control Damper

Opposed Blade



TRIPLE CRIMPED BLADE
FOR EXTRA RIGIDITY

GALVANIZED
STEEL STOP

1/4" LESS THAN
OPENING SIZE.

OPPOSED
BLADES

GALVANIZED
STEEL STOP

Standard Specifications:

Frame: 16 ga. Galvanized steel 4-1/2" x 3/4"
rollformed channel.

Blade: 16 ga. Galvanized steel triple
crimped blades are on 6" centers

Linkage: Concealed in jamb.

Bearings: Bronze Oilite

Axles: 7/16" plated hex

Control shaft: 3" long x 1/2" round

Finish: Mill finish galvanized.

Operator: Manual locking hand quadrant.

JOB: _____

LOCATION: _____

JOB NO.: _____

ENGINEER: _____

REPRESENTATIVE: _____

CONTRACTOR: _____

DATE: _____

LEADER
Dampers & Louvers

P.O. Box 40913
Nashville, TN 37204
www.leaderindustries.com
A Division of Leader Industries, Inc.

APPROVAL: