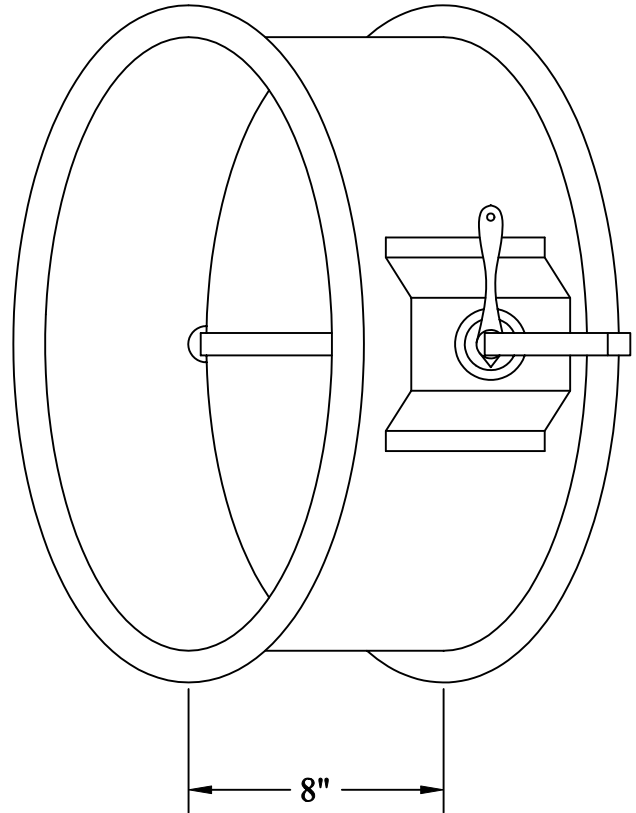
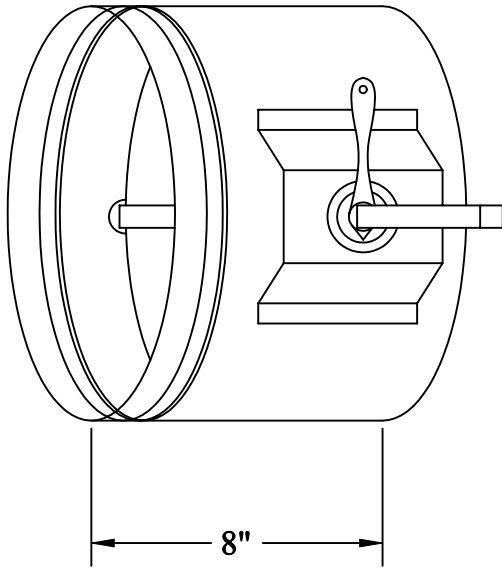


Model WM-CD Control Damper

Single Blade Round

25" - 34" Diameter

6" - 24" Diameter



Standard Specifications: 6" - 24"

Frame: 8" x 20 ga. Galvanized steel
Blades: 18 ga. Galvanized steel
Control Shaft: 3/8" Square Steel
Bearings: Nylon, Snapped into Frame
Control Quadrant: Locking Handle Mounted
on 2" Stand-off Bracket
Minimum Size: 6" diameter
Maximum Size: 24" diameter

Standard Specifications: 26" - 34"

Frame: 8" x 18 Ga. Galvanized Steel
Blade: 16 Ga. Galvanized Steel
Bearings: Nylon, Snapped into Frame
Control Shaft: 3/8" Square Steel
Control Quadrant: Locking Handle Mounted
on 2" Stand-off Bracket
Flange: 20 Ga. x 1" Galvanized Steel
Minimum Size: 26" Diameter
Maximum Size: 34" Diameter

JOB: _____
LOCATION: _____ **JOB NO.:** _____
ENGINEER: _____ **REPRESENTATIVE:** _____
CONTRACTOR: _____ **DATE:** _____

LEADER
Dampers & Louvers
P.O. Box 40913
Nashville, TN 37204
www.leaderindustries.com
A Division of Leader Industries, Inc.

APPROVAL: