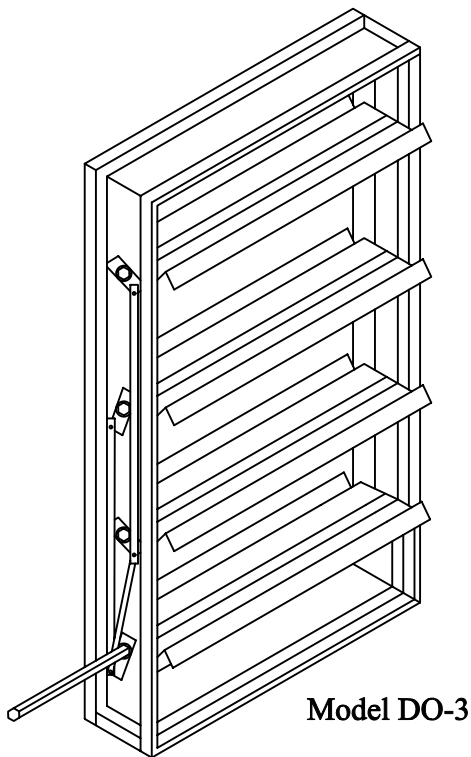
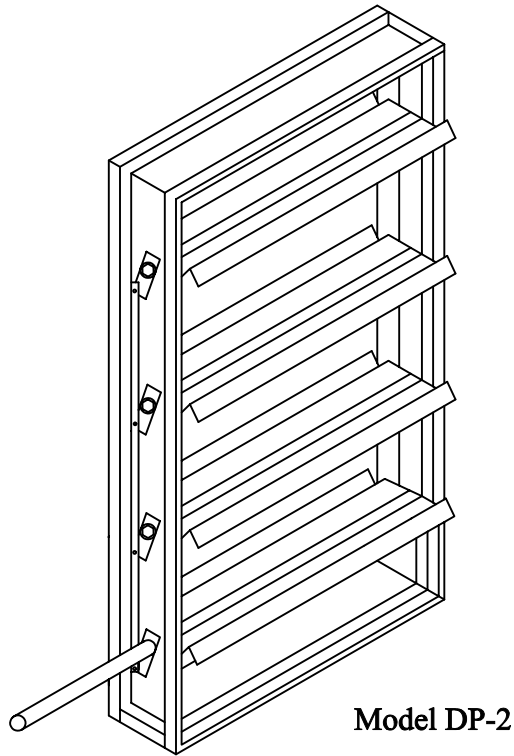


AIR CONTROL DAMPERS



Model DO-3



Model DP-2

Model DP-2 Control Damper, featuring parallel blade operation, is a simple but effective way to control the air flow in a duct and is manufactured to high quality standards. It is constructed of 16 ga. galvanized steel, rollformed into a 4-1/2" x 3/4" channel for the frame. The blades are 16 ga. galvanized steel triple crimped for extra strength. The blades are connected by concealed linkage in the jamb and seal against a 1/2" x 1/4" closed cell neoprene rubber gasket. Standard bearings are 7/16" I.D. nylon. All dampers are 1/4" undersized for installation clearance and come equipped with a 3" x 1/2" plated round control shaft. The DP-2 is available as small as 6" x 12". Use Model DS-1 for smaller sizes.

Model DO-3 Control Damper features opposed blade operation for more accurate control of the air flow and is constructed of the same materials as the Model DP-2. Model DO-3 is available as small as 6" x 12". Most of the options listed on the price sheet may be applied to either of the damper models. Maximum size single section is 52" wide x 60" high. Dampers larger than 52" x 60" will be made of the least number of equal size sections. Blade connectors will be provided at no cost when multiple sections are required. Please consult factory when combining more than two sections.

LEADER

Dampers & Louvers

P.O. Box 40913
Nashville, TN 37204
www.leaderindustries.com
A Division of Leader Industries, Inc.