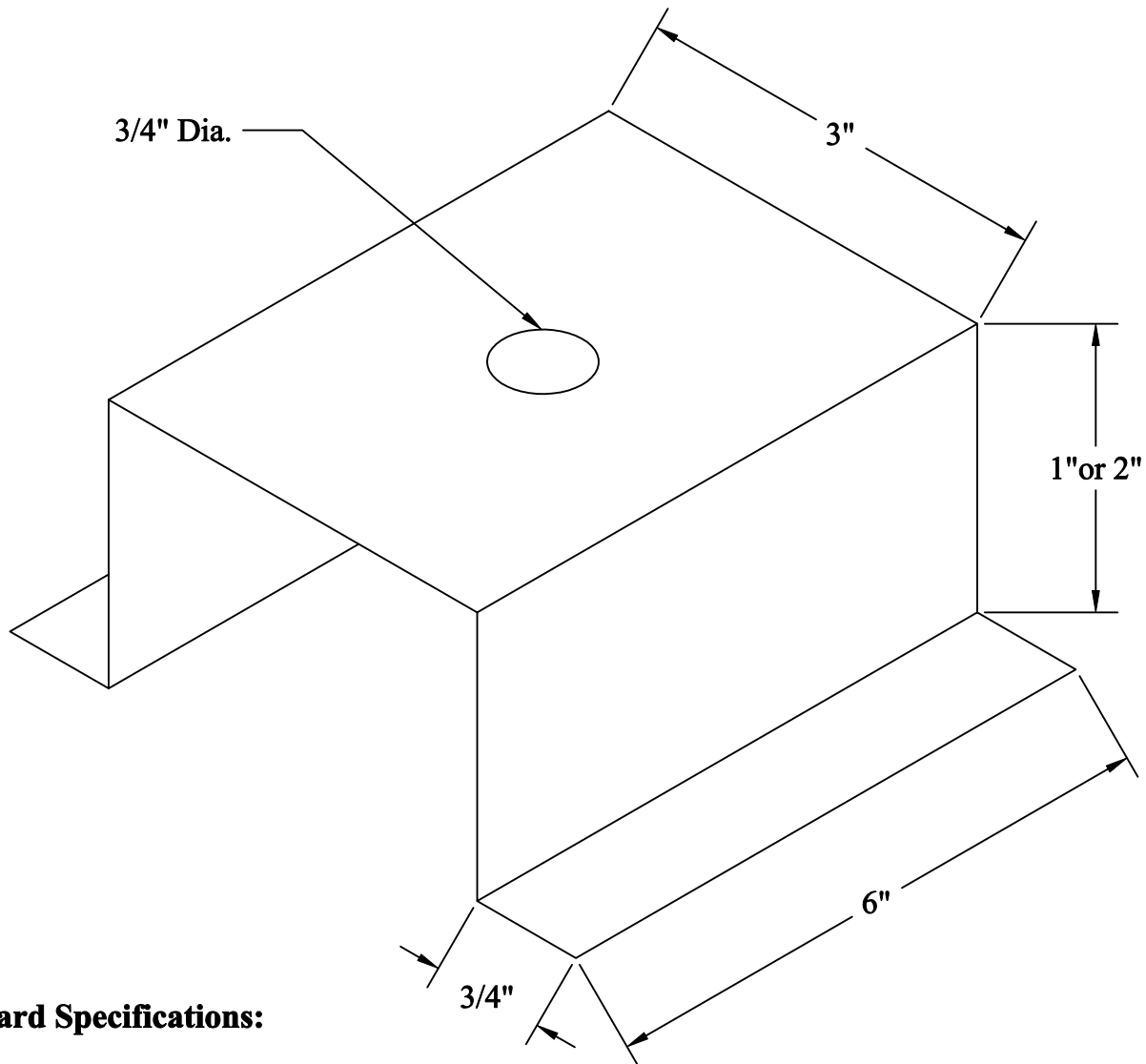


STAND-OFF BRACKETS

FOR AIR CONTROL DAMPERS



Standard Specifications:

Material: 18 ga. galvanized steel standard

Length: 6" standard

Height: 1" or 2"

Width: 3"

Hole 3/4" Diameter

JOB: _____
LOCATION: _____ **JOB NO.:** _____
ENGINEER: _____ **REPRESENTATIVE:** _____
CONTRACTOR: _____ **DATE:** _____

LEADER
Dampers & Louvers
P.O. Box 40913
Nashville, TN 37204
www.leaderindustries.com
A Division of Leader Industries, Inc.

APPROVAL: