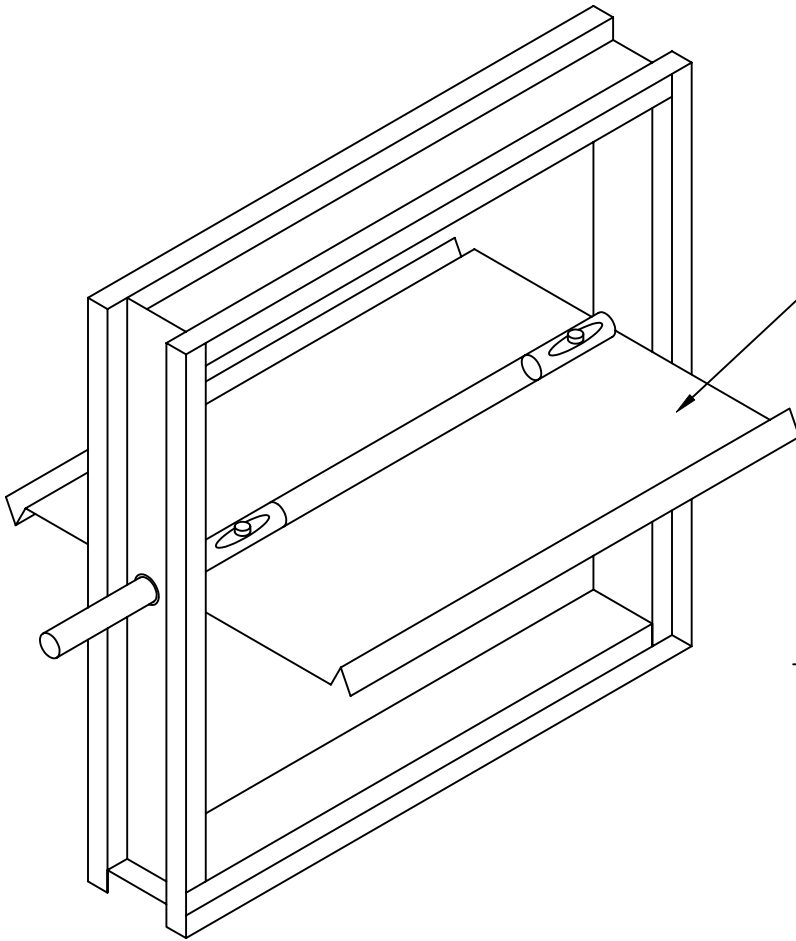


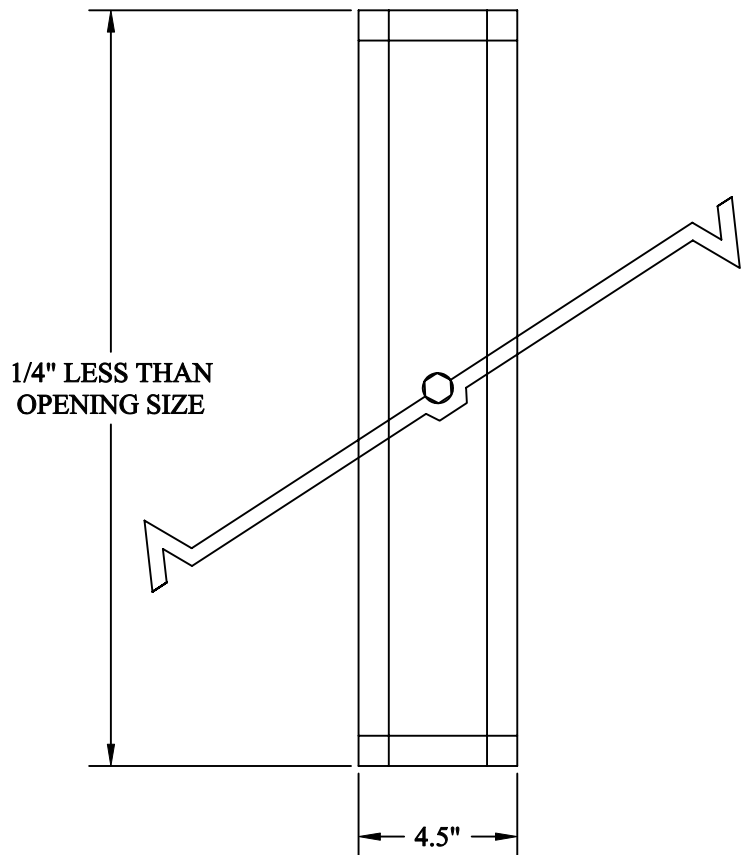
# Model MS-1 Manual Balancing Damper

## Single Blade



TRIPLE CRIMPED BLADE  
FOR EXTRA RIGIDITY

**NOTE:**  
Model MS-1 is for balancing purposes only. It is not intended for full short off. These dampers are not to be motorized.



### Standard Specifications:

Frame: 18 ga. Galvanized steel, rollformed  
Blades: 18 ga. Galvanized steel, triple crimped  
Bearings: 1/2" Nylon.  
Minimum Size: 6" x 6"  
Maximum Size: 48" x 13"  
Finish: Mill Finish galvanized.

### Options:

1/2" Hand Quadrant

**JOB:** \_\_\_\_\_  
**LOCATION:** \_\_\_\_\_ **JOB NO.:** \_\_\_\_\_  
**ENGINEER:** \_\_\_\_\_ **REPRESENTATIVE:** \_\_\_\_\_  
**CONTRACTOR:** \_\_\_\_\_ **DATE:** \_\_\_\_\_



P.O. Box 40913  
Nashville, TN 37204  
www.leaderindustries.com  
A Division of Leader Industries, Inc.

**APPROVAL:**