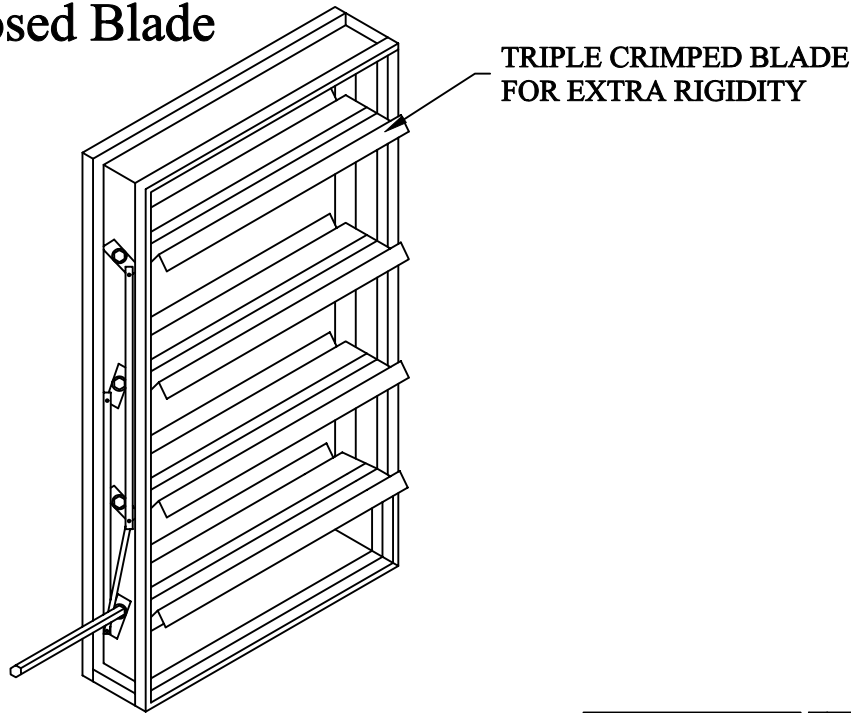


# Model MO-3 Manual Balancing Damper

## Opposed Blade



### Standard Specifications:

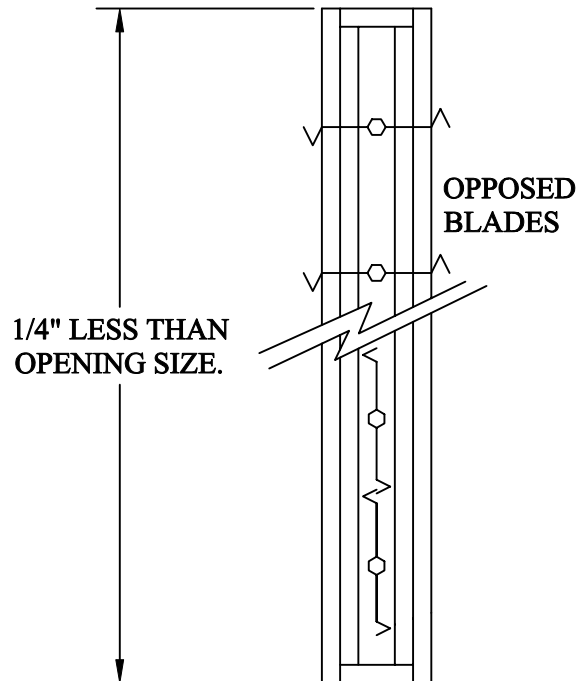
Frame: 18 ga. Galvanized steel roll formed.  
Blade: 18 ga. Galvanized steel triple crimped blades are on 6" centers  
Linkage: Concealed in jamb.  
Bearings: 1/2" Nylon  
Axles: 1/2" plated hex  
Control shaft: 3" long x 1/2" round  
Minimum Size: 6"w x 14"h  
Maximum Size: Single Section 48"w x 48"h  
Finish: Mill finish galvanized.

### Options:

1/2" Hand quadrant  
Parallel blade (MP-2)

### NOTE:

Models MO-3 and MP-2 are for balancing dampers only. They are not intended for full shut off. These dampers are not to be motorized.



### JOB:

LOCATION: \_\_\_\_\_ JOB NO.: \_\_\_\_\_  
ENGINEER: \_\_\_\_\_ REPRESENTATIVE: \_\_\_\_\_  
CONTRACTOR: \_\_\_\_\_ DATE: \_\_\_\_\_

**LEADER**  
Dampers & Louvers

P.O. Box 40913  
Nashville, TN 37204  
www.leaderindustries.com  
A Division of Leader Industries, Inc.

APPROVAL: