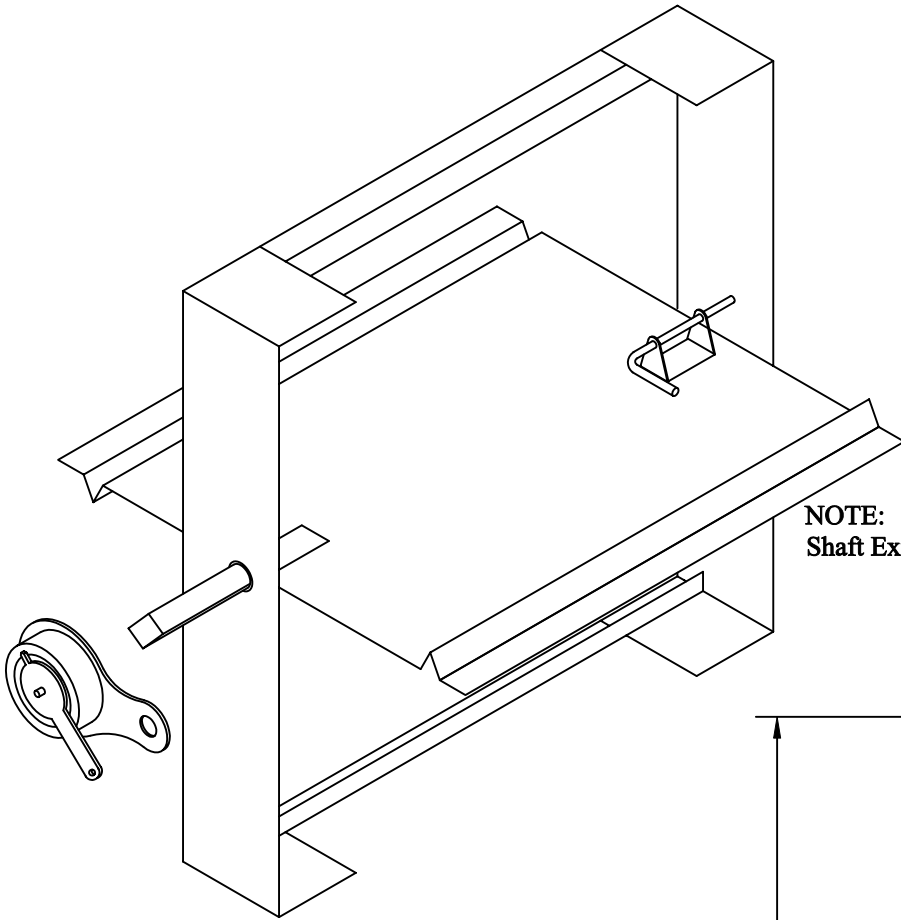
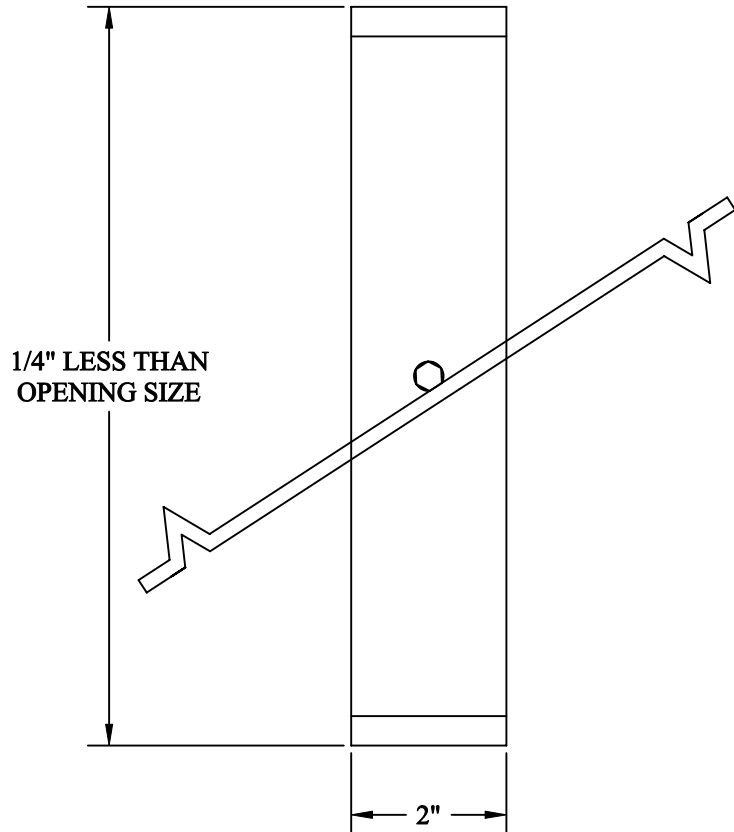


Model ES-1 Control Damper

Light Duty Balancing Damper



NOTE:
Shaft Extends 1-5/8" Beyond Frame.



Standard Specifications:

- Frame: 2" x 18 ga. Galvanized steel, rollformed
- Blades: 22 ga. Galvanized steel
- Control Shaft: 1/4" x 2" square plated steel
- Quadrant: Plated locking hand operator included
- Minimum Size: 4" x 4"
- Maximum Size: 36" x 12"
- Finish: Mill Finish galvanized.

JOB: _____
LOCATION: _____ **JOB NO.:** _____
ENGINEER: _____ **REPRESENTATIVE:** _____
CONTRACTOR: _____ **DATE:** _____

LEADER
Dampers & Louvers
P.O. Box 40913
Nashville, TN 37204
www.leaderindustries.com
A Division of Leader Industries, Inc.

APPROVAL: