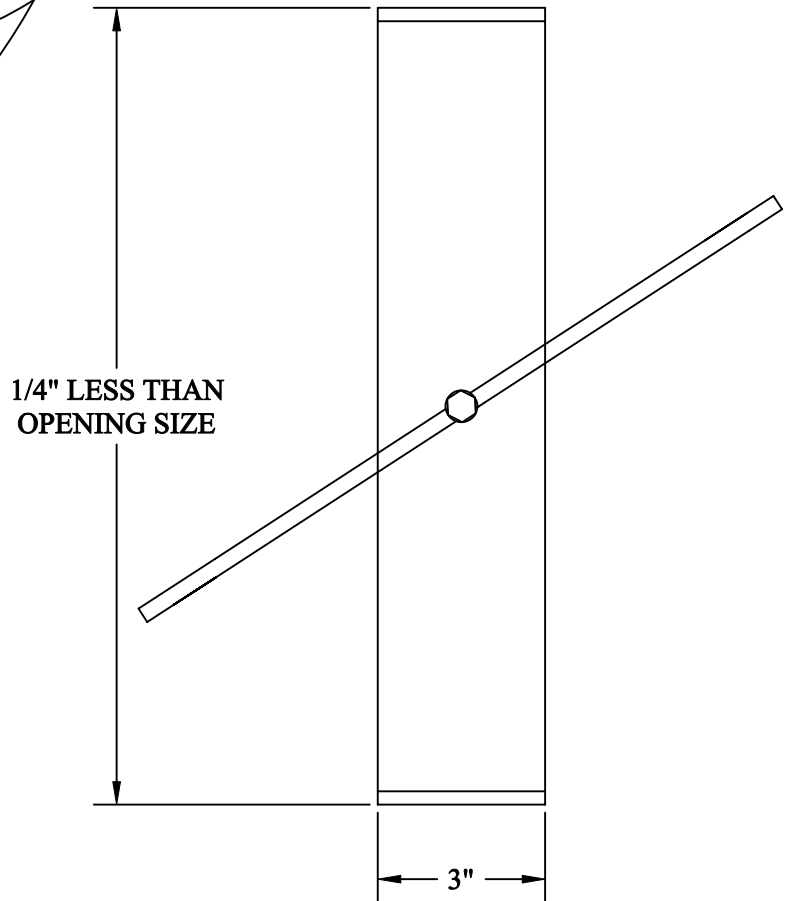
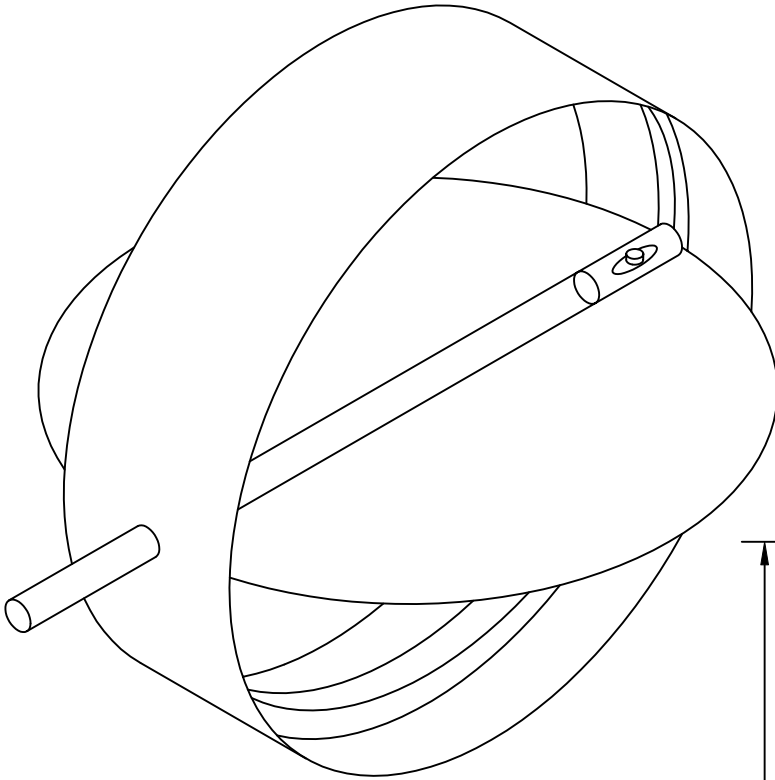


Model DR-4 Control Damper

Single Blade Round



Standard Specifications:

Frame: 3" x 12 ga. Galvanized steel, rollformed
Blades: 14 ga. Galvanized steel crimped for extra strength
Control Shaft: 4" long x 1/2" round
Bearings: 1/2" I.D. Nylon
Minimum Size: 6" diameter
Maximum Size: 36" diameter
Finish: Mill Finish galvanized.

JOB: _____
LOCATION: _____ **JOB NO.:** _____
ENGINEER: _____ **REPRESENTATIVE:** _____
CONTRACTOR: _____ **DATE:** _____

 <p>Dampers & Louvers</p>	<p>P.O. Box 40913 Nashville, TN 37204 www.leaderindustries.com A Division of Leader Industries, Inc.</p>	<p>APPROVAL:</p>
---	--	-------------------------