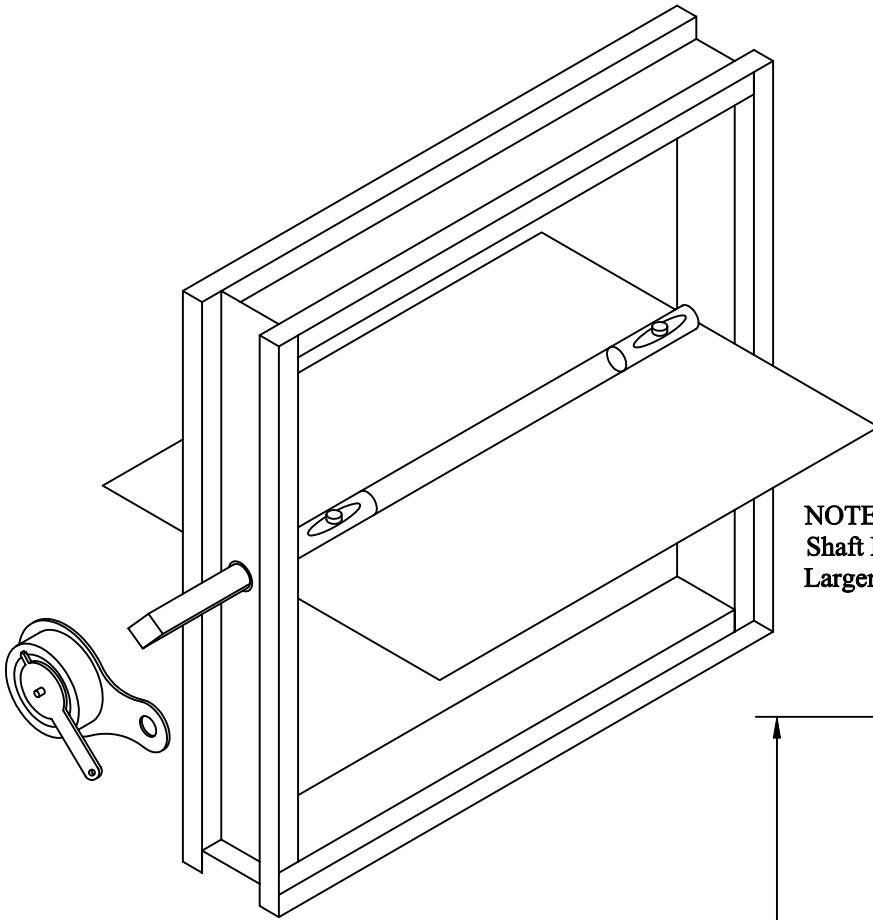
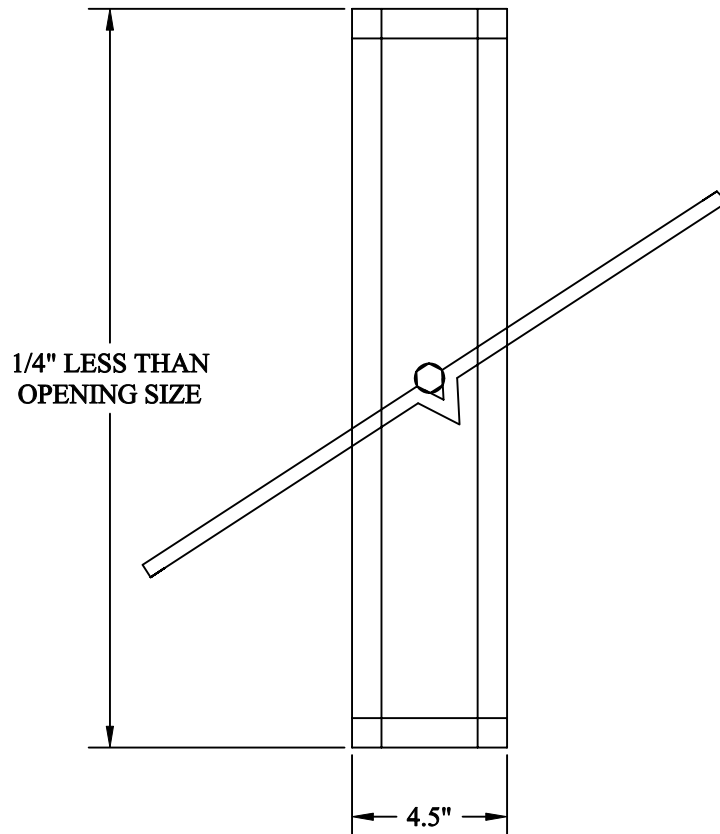


Model BS-1 Control Damper

Light Duty Balancing Damper



NOTE:
Shaft Extends 2-1/2" Beyond Frame for Sizes 6" and Larger in Height, and 1-5/8" for under 6".



Standard Specifications:

- Frame: 18 ga. Galvanized steel, rollformed
- Blades: 20 ga. Galvanized steel
- Bearings: 3/8" I.D. Nylon.
- Control Shaft: 3/8" x 5" square plated steel
- Quadrant: Plated locking hand operator included
- Minimum Size: 4" x 4"
- Maximum Size: 48" x 12"
- Finish: Mill Finish galvanized.
- For sizes under 5" high: 1/4" control shaft

JOB: _____
LOCATION: _____ **JOB NO.:** _____
ENGINEER: _____ **REPRESENTATIVE:** _____
CONTRACTOR: _____ **DATE:** _____



P.O. Box 40913
Nashville, TN 37204
www.leaderindustries.com
A Division of Leader Industries, Inc.

APPROVAL: