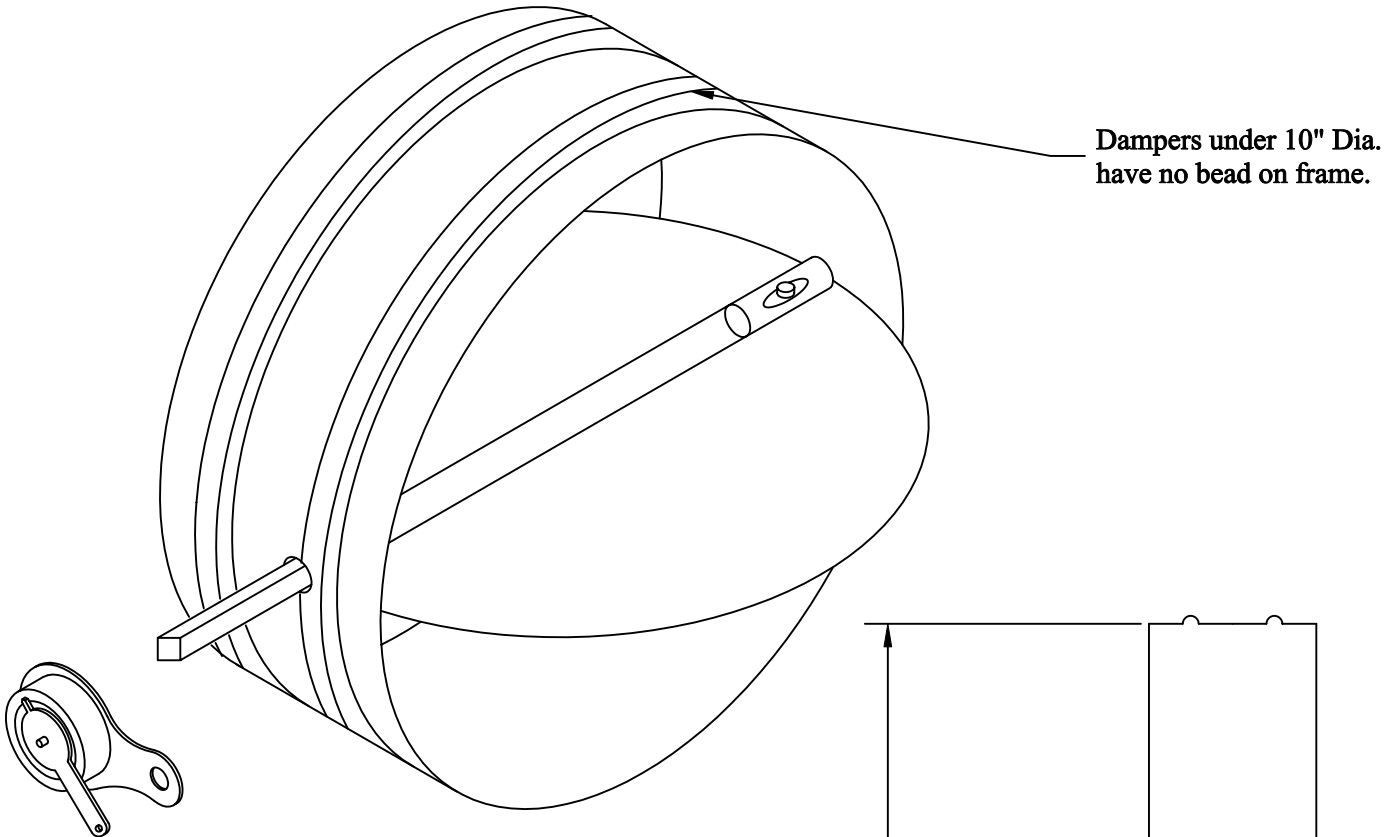


Model BR-4 Balancing Damper

Single Blade Round



Shaft Extends 3-1/2" Beyond Frame for Sizes 6" and Larger in Height, and 1-5/8" for under 6".

1/4" LESS THAN OPENING SIZE

5"

Standard Specifications:

- Frame: 5" x 22 ga. Galvanized steel
- Blades: 20 ga. Galvanized steel crimped for extra strength
- Control Shaft: 3/8" x 5" square plated steel
- Bearings: 3/8" I.D. Nylon
- Quadrant: Plated locking hand operator included
- Minimum Size: 4" diameter
- Maximum Size: 24" diameter
- Finish: Mill Finish galvanized.

JOB: _____
LOCATION: _____ **JOB NO.:** _____
ENGINEER: _____ **REPRESENTATIVE:** _____
CONTRACTOR: _____ **DATE:** _____

LEADER
Dampers & Louvers

P.O. Box 40913
Nashville, TN 37204
www.leaderindustries.com
A Division of Leader Industries, Inc.

APPROVAL: _____