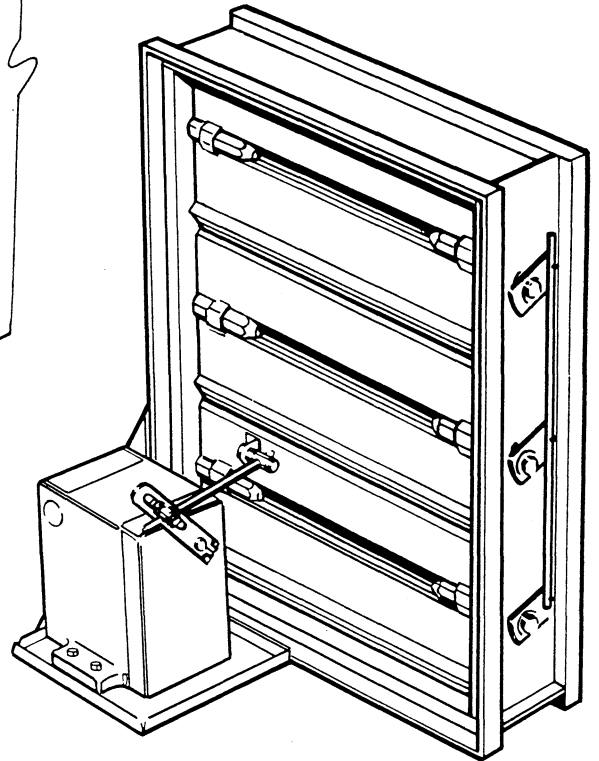
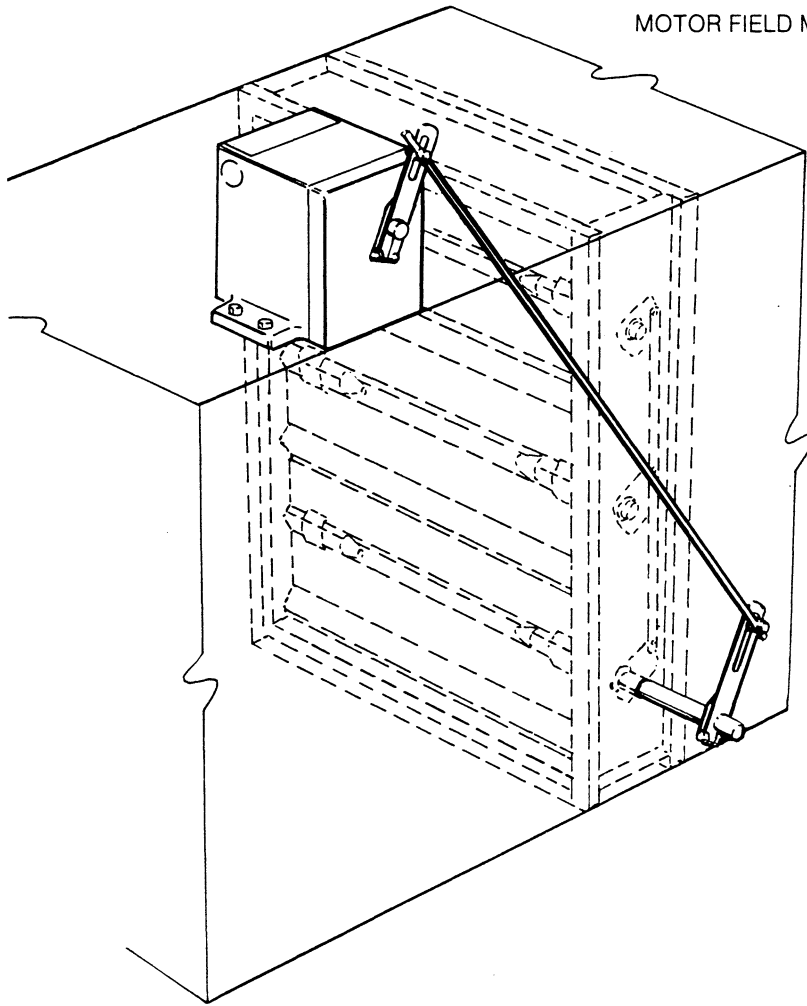


# | 418/318 Motor Mount Detail

MOTOR FIELD MOUNTED OUTSIDE DUCT



MOTOR FACTORY  
MOUNTED  
INSIDE DUCT

Typical motor mount, linkage and installation for standard 2-position spring return, power-open power-close motors. Dampers greater than 104" wide require jack shafts. On units with jack shafts the motor is connected directly to the jack shaft rather than the blade.

**NOTE:** The motor specifications listed below are not applicable to dampers with jamb seals. 2-position spring return motor for 32 sq. ft. max. damper face area. (Barber Coleman MA-418 110 VAC, and MA-318 24 VAC.)

JOB \_\_\_\_\_

LOCATION \_\_\_\_\_ JOB NO. \_\_\_\_\_

ENGINEER \_\_\_\_\_ REPRESENTATIVE \_\_\_\_\_

CONTRACTOR \_\_\_\_\_ DATE \_\_\_\_\_

**LEADER**

A Division of Leader Industries, Inc.

P.O. Box 40913  
Nashville, TN 37204  
www.leaderindustries.com

APPROVAL \_\_\_\_\_