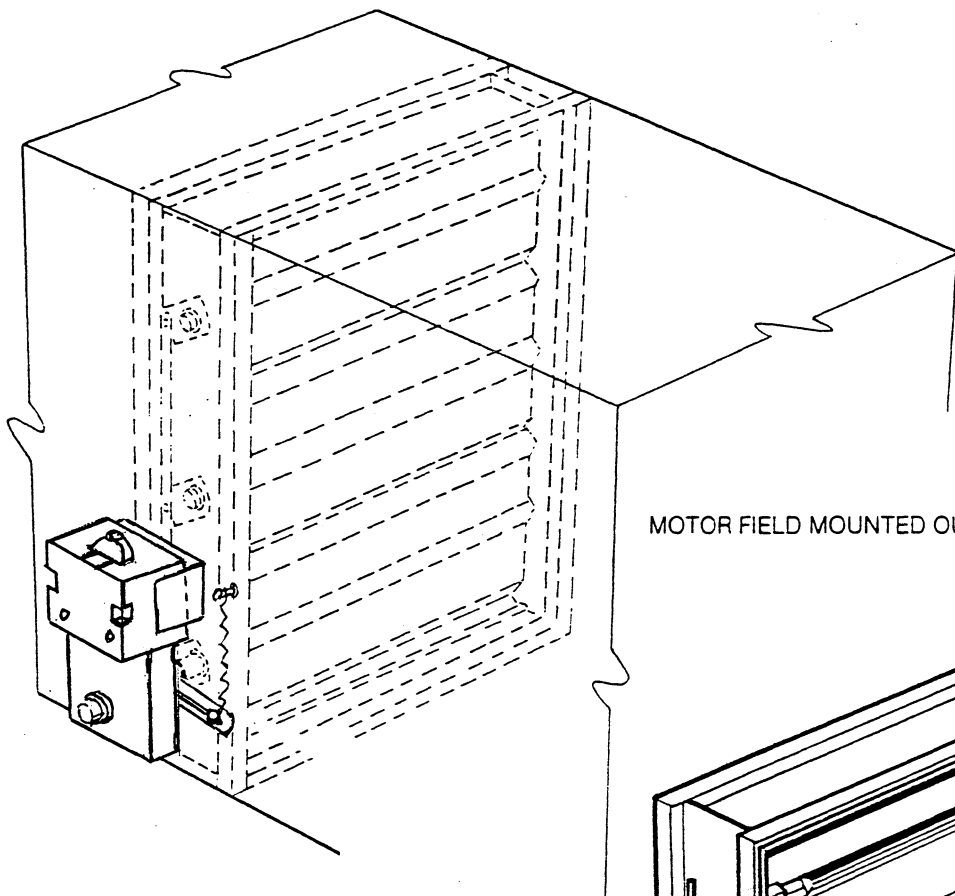


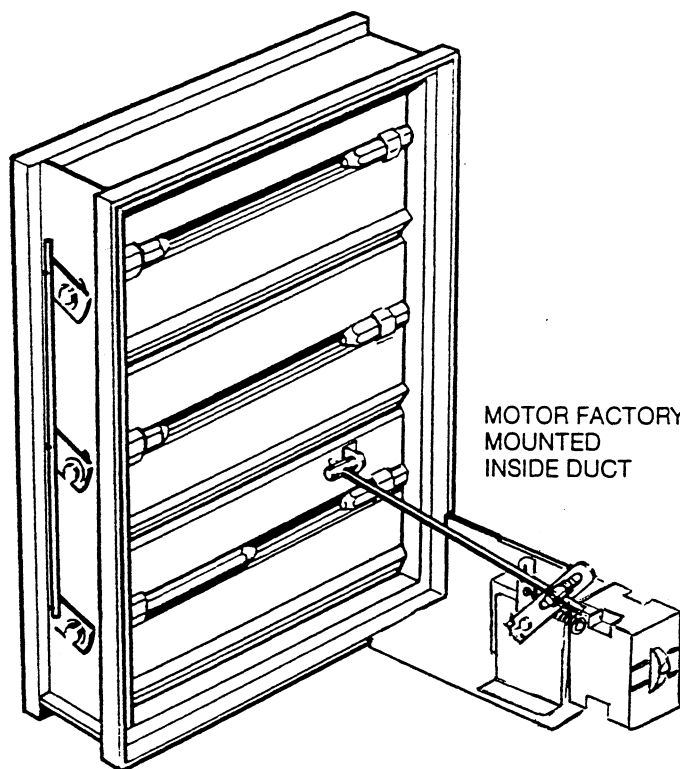
MA-200 Series Motor Mount Detail



MOTOR FIELD MOUNTED OUTSIDE DUCT

Typical motor mount, linkage and installation for a standard MA-200 series motor. Motors are set up for 2-position spring return, power open, spring close.

MA-230(120v) and MA-233(24v) are recommended for dampers up to 10 sq. ft. max face area without frame seals.



MOTOR FACTORY MOUNTED INSIDE DUCT

JOB _____

LOCATION _____ JOB NO. _____

ENGINEER _____ REPRESENTATIVE _____

CONTRACTOR _____ DATE _____



A Division of Leader Industries, Inc.

P.O. Box 40913
Nashville, TN 37204
www.leaderindustries.com

APPROVAL _____