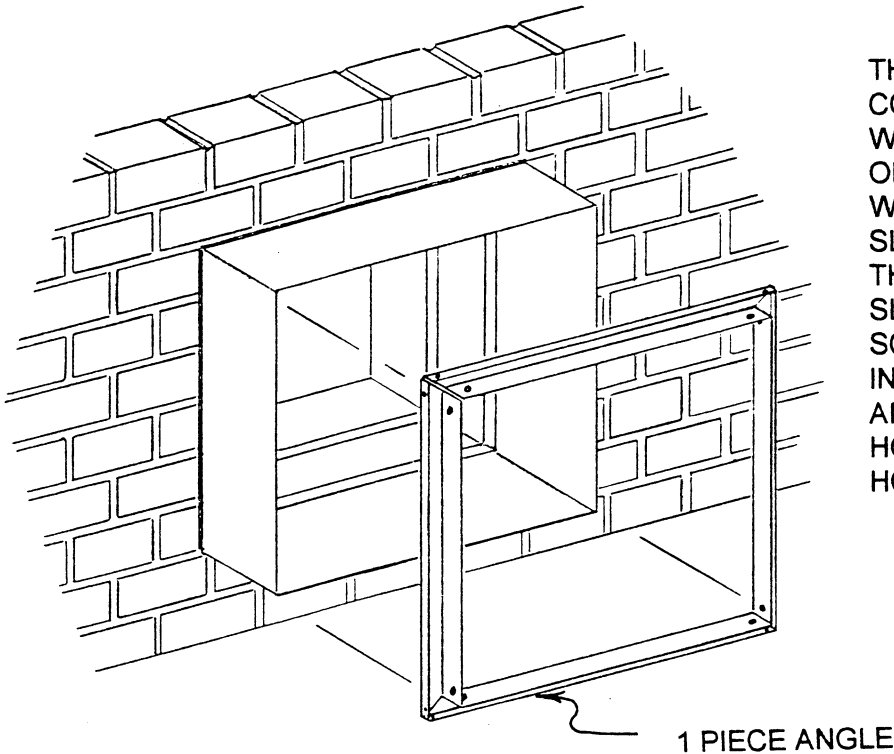


COST SAVING MODEL WAA - WRAP AROUND ANGLES

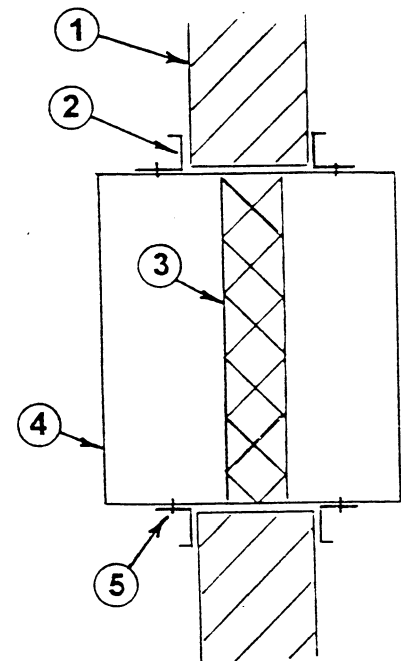
APPLICATION

THESE ANGLES ARE USED IN LIEU OF CONVENTIONAL RETAINING ANGLES. THE WRAP AROUND ANGLES ARE SHIPPED IN ONE PIECE FOR EACH SIDE OF THE DAMPER, WRAPPED AROUND THE DAMPER. SIMPLY SLIDE THE FIRE DAMPER IN THE WALL. SLIDE THE WRAP AROUND ANGLES OVER THE SLEEVE AND ATTACH THE ANGLE WITH SCREWS, RIVETS, OR WELDS PER THE INSTALLATION INSTRUCTIONS. "WAA" ANGLES ARE U.L. APPROVED FOR 1-1/2 HOUR FIRE DAMPERS, VERTICAL OR HORIZONTAL.



ADVANTAGES OF THE "WAA" ANGLES

- NO ANGLES TO CUT, KEEP UP WITH, AND INSTALL
- SAVES OVER 1/2 THE TIME TO INSTALL VERSUS CONVENTIONAL RETAINING ANGLES
- ANGLES ARE FACTORY MATCHED AND SHIPPED WITH FIRE DAMPER
- ONE PIECE ANGLES WRAPS AROUND DAMPER
- 16 GAGE CONSTRUCTION FOR WORKING EASE
- MATERIAL COST LESS THAN CONVENTIONAL 14 OR 10 GAGE ANGLES
- FACTORY SUPPLIED HOLES AT CORNERS TO AID IN MOUNTING



1. Fire rated wall/floor
2. Wrap Around Angle
3. Fire damper
4. Sleeve
5. Fasteners

LEADER

P.O. Box 40913
Nashville, TN 37204
www.leaderindustries.com

A Division of Leader Industries, Inc.