

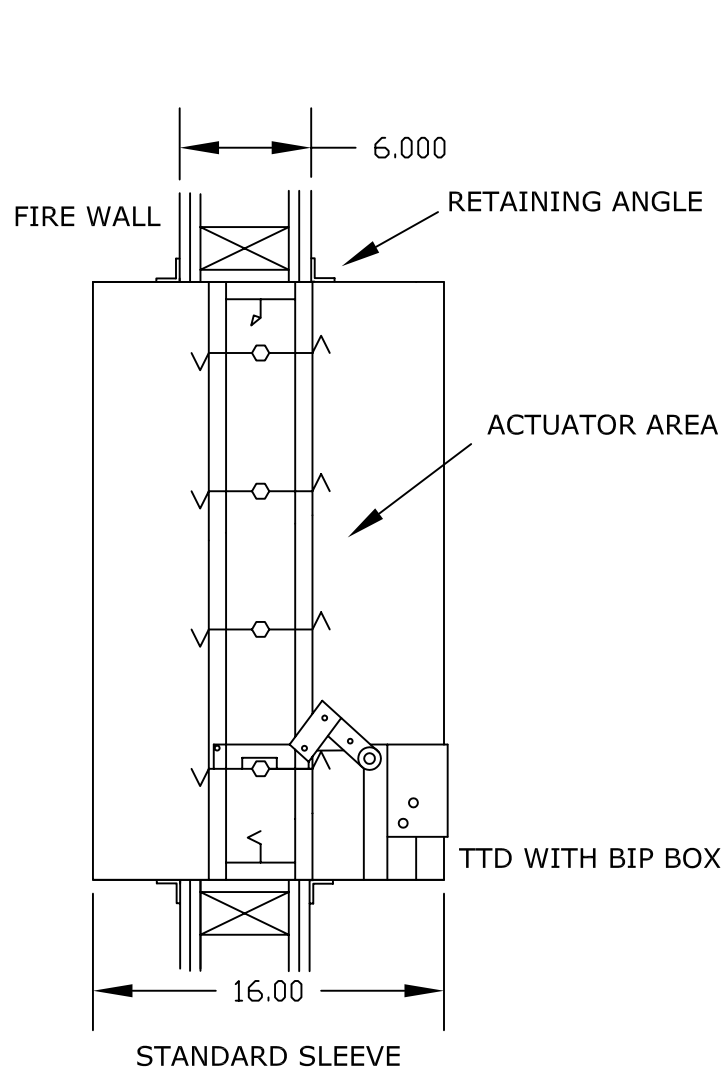
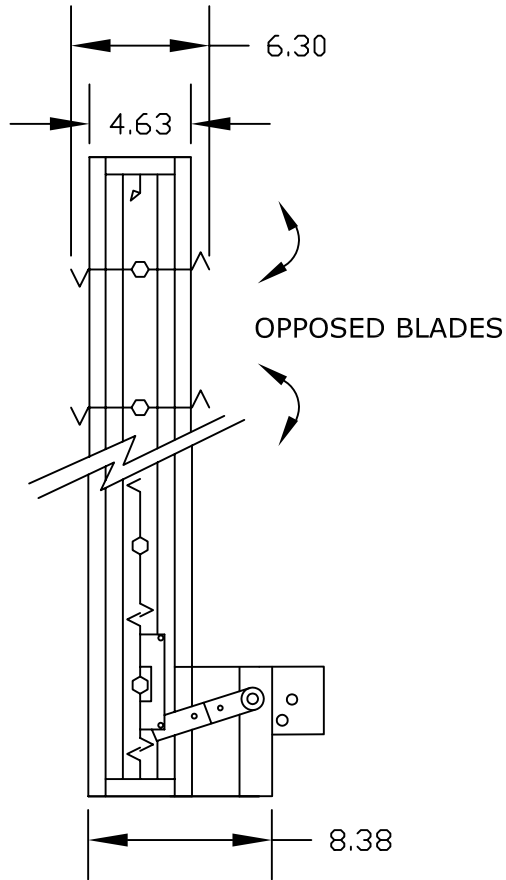


Dampers & Louvers

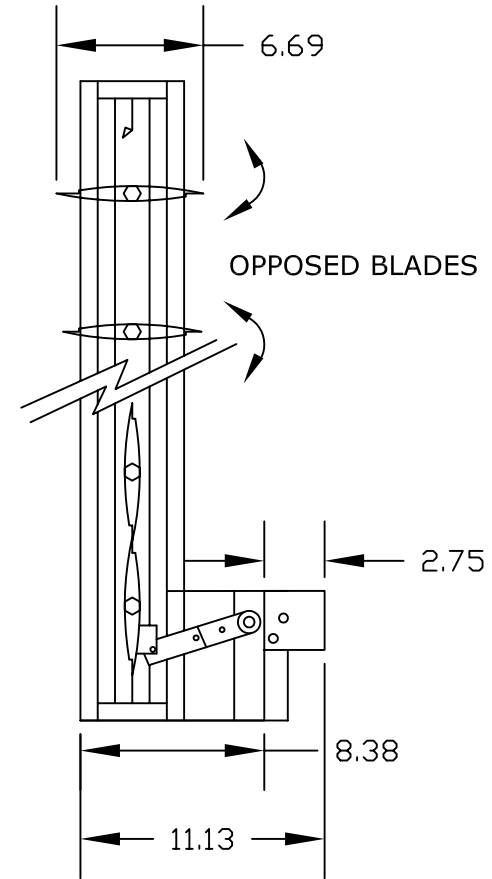
P.O. Box 40913
Nashville, TN 37204
www.leaderindustries.com
A Division of Leader Industries, Inc.

Dimensional Data For Combination Fire/Smoke Dampers Mounted in a Standard 16" Long Sleeve

500 SERIES DAMPERS



600 SERIES DAMPERS



If requirements call for a different placement of the damper in the sleeve other than the one shown, consult factory for availability.

If additional sleeve length is ordered, then the extra length will be added to the non-motorized side of the damper.