

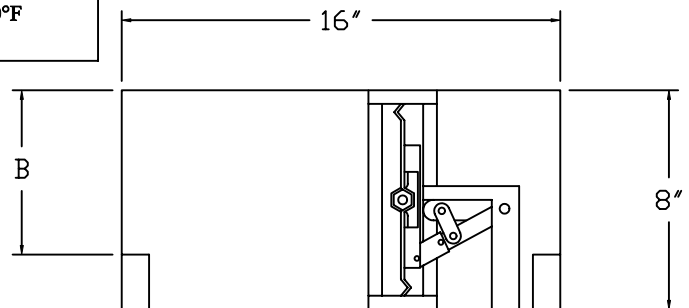
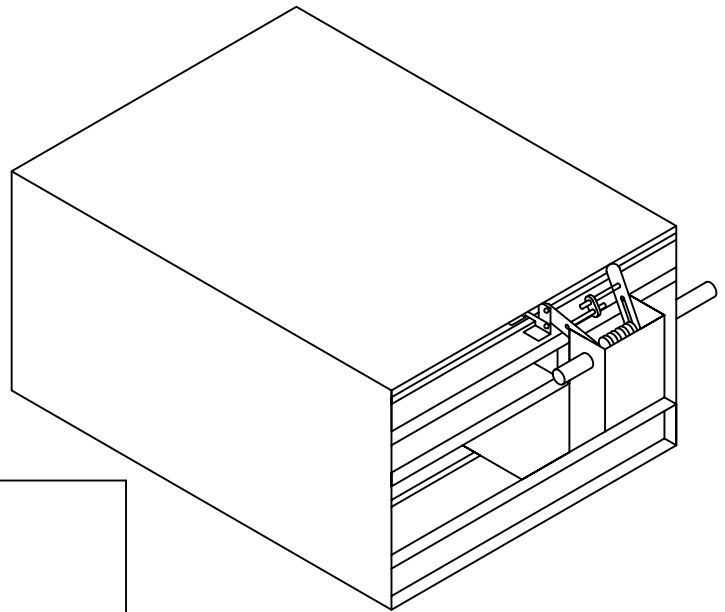
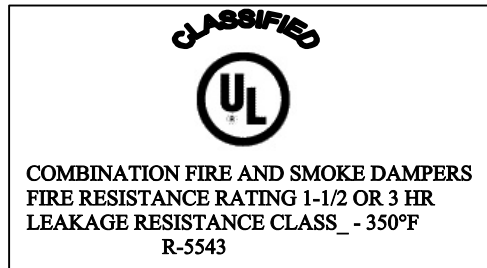
Dynamic U.L. Approved UL 555S

Combination Fire & Smoke Damper - Type B
WITH 16" LONG 20 GA SLEEVE

Combination dampers with duct sizes less than 8" in height or width will have a B-Angle type transition to achieve desired height.

Standard Specifications:

- Frame: 16 ga. galvanized steel
- Blade: 16 ga. galvanized steel, triple crimped blades are on 6" centers
- Seals: Silicone blade and stainless jamb
- Linkage: Concealed in jamb
- Bearings: 1/2" oilite bronze
- Axles: 1/2" plated hex
- Control Shaft: 1/2" round
- Fusible Link: 212°F standard, other UL listed links optional
- Finish: Mill finish galvanized
- Minimum Size: 8"w x 8"h
- Maximum Size: See specific submittal for type A



Notes:


- For proper operation all dampers must be installed square and free from racking.
- Unit furnished approximately 1/4" smaller than given "opening dimensions".
- Units are approved for velocities up to 2000 fpm at 4" wg static pressure.
- Units are approved for pneumatic or electric actuator operation.
- Units are approved for static or dynamic systems.
- This unit is UL Listed for 1-1/2 or 3 hour rating.
- The damper meets or exceeds the requirements for NFPA 90A and 92, U.L. Standard 555 and 555S, complies with NFPA Bulletin 80.
- A dynamic system is one in which the fan/system continues to run during a fire/smoke alarm for smoke removal.

JOB: _____

LOCATION: _____ **JOB NO.:** _____

ENGINEER: _____ **REPRESENTATIVE:** _____

CONTRACTOR: _____ **DATE:** _____

 <p>LEADER Dampers & Louvers</p> <p>P.O. Box 40913 Nashville, TN 37204 www.leaderindustries.com A Division of Leader Industries, Inc.</p>	<h2>APPROVAL</h2>
--	-------------------