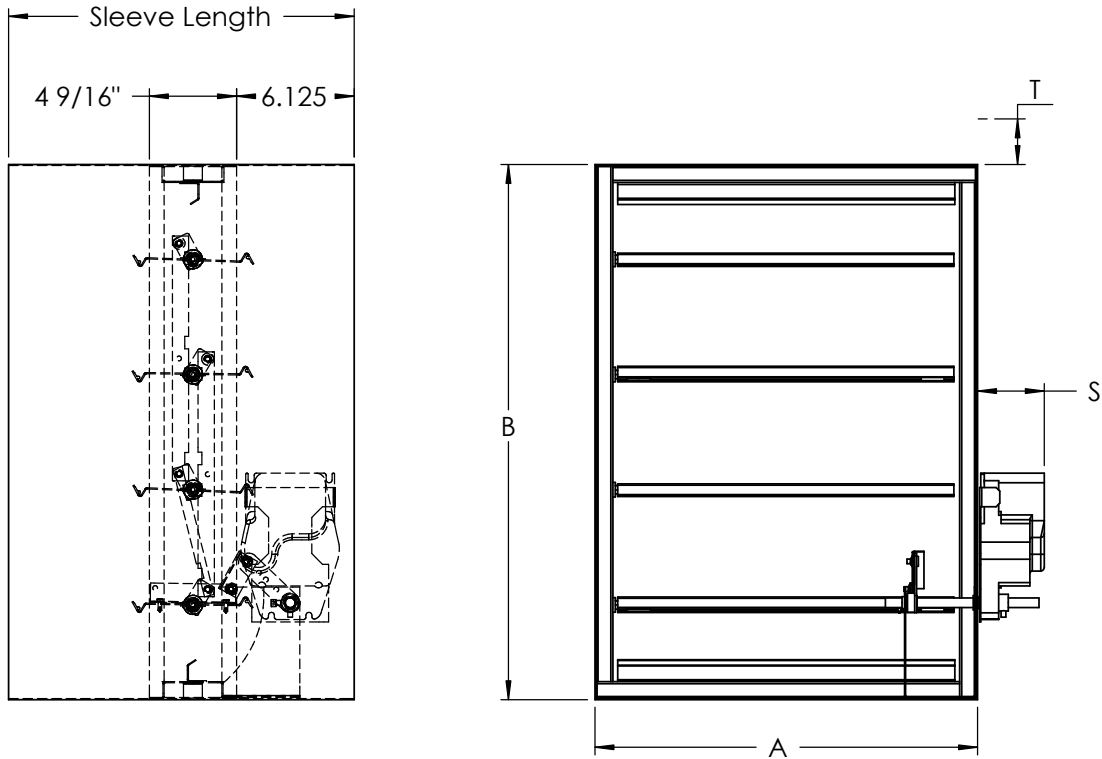


# Actuator Clearance Table

## For Externally Mounted Actuators



The "S" dimension gives the width clearance required for the various actuators offered by Leader Industries. The "T" dimension gives the worst case height clearance required. "T" is only applicable for dampers under 16" high.

		Actuator Model	S	T
Electric	Honeywell	ML4XXX	5 in.	5 in.
		MS4XXX	5 in.	5 in.
		MS4120	4.5 in.	7.5 in.
		ML8XXX	5 in.	5 in.
		MS8XXX	5 in.	5 in.
		MS8120	4.5 in.	7.5 in.
	Belimo	NF120/24	4 in.	7.5 in.
		AF120/24	4 in.	7.5 in.
		LF120/24	4 in.	7.5 in.
		Multi-Products	MA3597	4 in.
MA2654	4 in.		5 in.	
Siemens	GGD121	4.5 in.	7 in.	
	GGD221	4.5 in.	7 in.	
Pneumatic	Siemens	331-4226	5 in.	10 in.
		331-2961	5 in.	10 in.
		331-3011	7 in.	10 in.