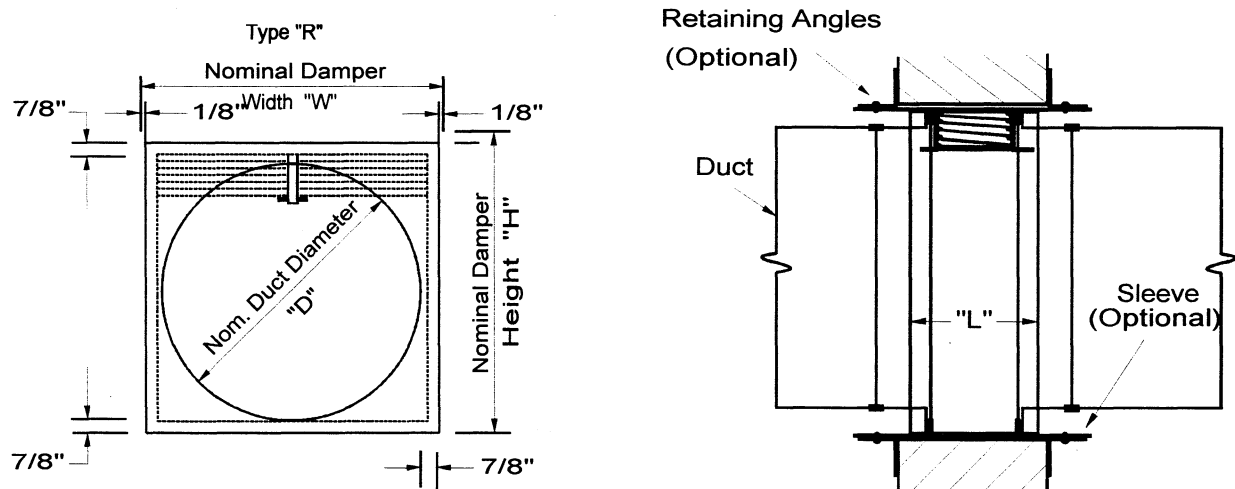


# Model U-255 Fire Damper – Type R

## Vertical Mount (Horizontal Airflow)

### For Static Systems



#### MODEL U-255

##### NOTES:

1. Frame and blades are roll formed 22 ga. galvanized steel.
2. Frame: "L" dimension is 5".
3. Wall opening should exceed nominal sleeve dimension by 1/8" for each linear foot of width and height.
4. 165°F UL fusible link standard. Other UL listed links optional.
5. Minimum size is 4" diameter.
6. Available up to 50" diameter maximum single section.
7. Nominal sleeve width and height equals **duct diameter plus 2"**.

##### FEATURES:

- Model U-255 is for mounting in a vertical position. It is for the protection of penetrations in fire partitions or walls, whether these penetrations are for ductwork or wall openings without ductwork, under static conditions.
- Type R damper is used with low velocity round duct where it is desirable for less than 100% free area. The blade stack may be partially in the air stream.
- Model U-255 fire dampers are listed by Underwriters Laboratories, Inc., with a 3 hour rating. These dampers meet the requirements of NFPA Bulletin 90A, UL Standard 555.
- A static system is one in which a fire alarm shuts the system / fan down.
- These dampers meet or exceed the requirements of the California State Fire Marshal and are listed under CSFM 3225-273:100

UNDERWRITERS LABORATORIES, Inc.®  
Classified  
FIRE DAMPER  
Fire Resistance Rating 3 HR.  
See UL Classified Building Materials Index  
R-5543

**3 Hour Rated**  
**UL Listed**

**LEADER**  
Dampers & Louvers

P.O. Box 40913  
Nashville, TN 37204  
www.leaderindustries.com  
A Division of Leader Industries, Inc.

APPROVAL