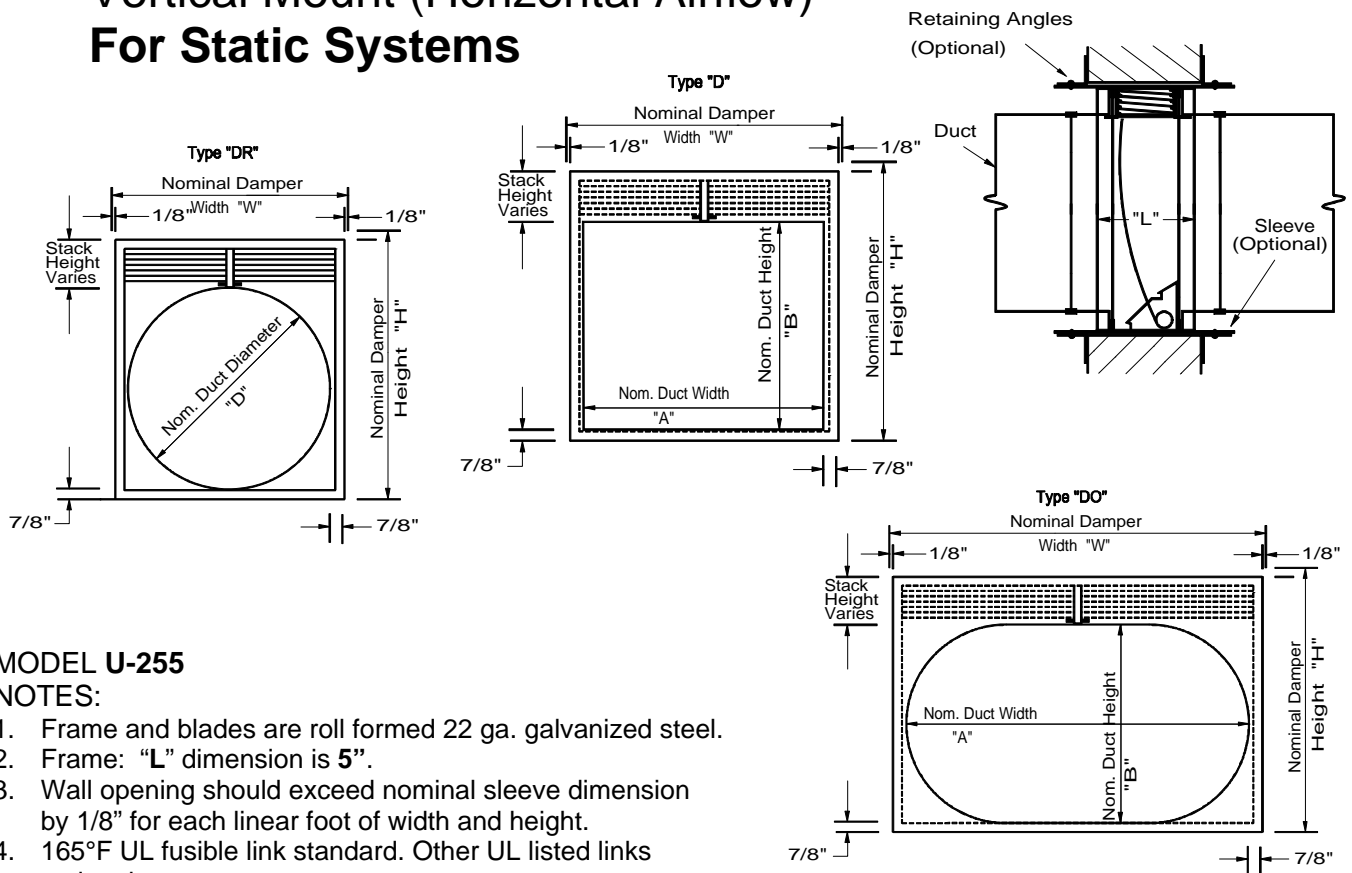


# Model U-255 Fire Damper – Type D, DO, DR Vertical Mount (Horizontal Airflow) For Static Systems



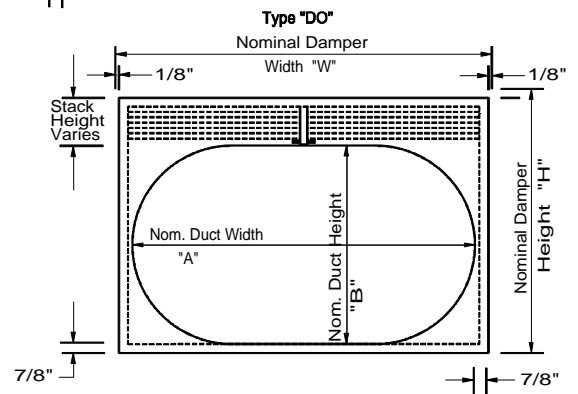
## MODEL U-255

### NOTES:

1. Frame and blades are roll formed 22 ga. galvanized steel.
2. Frame: "L" dimension is 5".
3. Wall opening should exceed nominal sleeve dimension by 1/8" for each linear foot of width and height.
4. 165°F UL fusible link standard. Other UL listed links optional.
5. Minimum size is 4" – "D", "W", or "H".
6. Available up to 50"w x 46" h maximum single section.

### FEATURES:

- Model U-255 is for mounting in a vertical position. It is for the protection of penetrations in fire partitions or walls, whether these penetrations are for ductwork or wall openings without ductwork, under static conditions.
- **Type D, DO, DR** dampers are unsealed and are for use in low velocity duct where it is desirable for 100% free area. **Type D, DO, DR** dampers can be field sealed for high pressure ducts.
- Model U-255 fire dampers are listed by Underwriters Laboratories, Inc., with a 3 hour rating. These dampers meet the requirements of NFPA Bulletin 90A, UL Standard 555.
- A static system is one in which a fire alarm shuts the system / fan down.
- These dampers meet or exceed the requirements of the California State Fire Marshal and are listed under **CSFM 3225-273:100**



Duct Diameter "D" or "B"	Nominal Damper Height "H"
4 - 14"	B + 3.0
15 - 19"	B + 3.5
20 - 27"	B + 4.0
28 - 33"	B + 4.5
34 - 41"	B + 5.0
42" - 46"	B + 5.5

Nominal damper width is duct width + 2".

**UNDERWRITERS LABORATORIES, Inc ©**  
Classified  
**FIRE DAMPER**  
**Fire Resistance Rating 3 HR.**  
See UL Classified Building Materials Index  
**R-5543**

 <p>P.O. Box 40913 Nashville, TN 37204 www.leaderindustries.com A Division of Leader Industries, Inc.</p>	<p>APPROVAL</p>
--	-----------------