

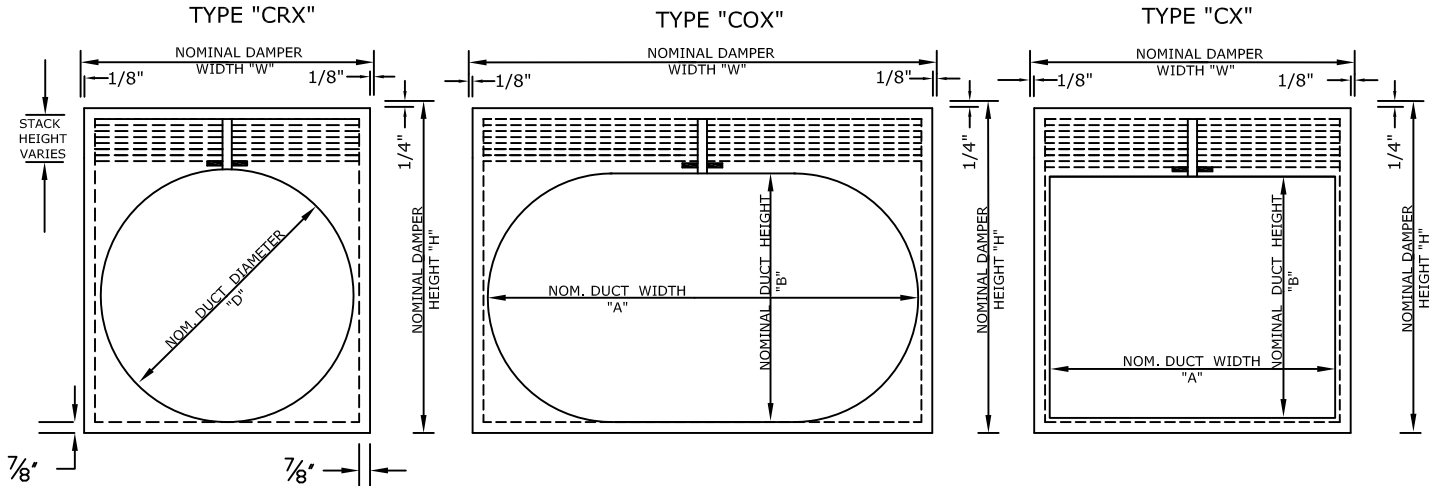
Model U-255 Type CX, COX, CRX

Integral Sleeve Fire Damper

Vertical Mount (Horizontal Airflow)

For Static Systems

NO SLEEVE REQUIRED
WHEN DUCT THICKNESS IS 20 GA. OR LESS
AND SLIP JOINTS ARE USED, PER UL 555



Model U-255

NOTES:

1. Frame is roll formed 20 ga. galvanized steel.
2. Blades are roll formed 22 ga. galvanized steel.
3. Frame: "L" dimension is 12" standard.
4. Wall opening should exceed nominal sleeve dimension by 1/8" for each linear foot of width and height.
5. 165°F UL fusible link standard. Other UL Listed links optional.
6. Minimum size is 4" - "D", "W", or "H".
7. Available up to 50" w x 46" h, 44" diameter maximum single section.
8. 18 ga roll formed frames available at an additional cost.
9. 14" - 22" sleeve lengths (L) are available at an additional cost. Consult factory for availability.

FEATURES:

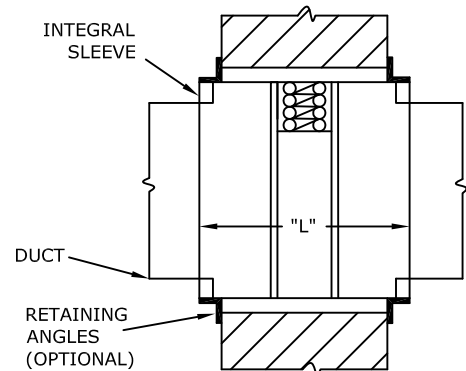
Model **U-255** is for mounting in a vertical position. It is for the protection of penetrations in fire partitions or walls, whether these penetrations are for ductwork or wall openings without ductwork, under static conditons.

Type C, CO, CR dampers are used with low or high velocity duct where it is desirable for 100% free area. These dampers are sealed at the factory before shipment.

Model U-255 fire dampers are listed by Underwriters Laboratories, Inc., with a 3 hour rating. These dampers meet the requirements of NFPA bulletin 90A, UL Standard 555.

A static system is one in which a fire alarm shuts the system / fan down.

These dampers meet or exceed the requirements of the California State Fire Marshal and are listed under **CSFM 3225-273:100**



Duct Diameter "D" or "B"	Nominal Damper Height "H"
4"-14"	B + 3.0
15"-19"	B + 3.5
20"-27"	B + 4.0
28"-33"	B + 4.5
34"-41"	B + 5.0
42"-46"	B + 5.5

Nominal damper width is duct width + 2"

UNDERWRITERS LABORATORIES, Inc ®
Classified
FIRE DAMPER
Fire Resistance Rating 3 HR.
See UL Classified Building Materials Index
R-5543

LEADER
Dampers & Louvers

P.O. Box 40913
Nashville, TN 37204
www.leaderindustries.com
A Division of Leader Industries, Inc.

APPROVAL