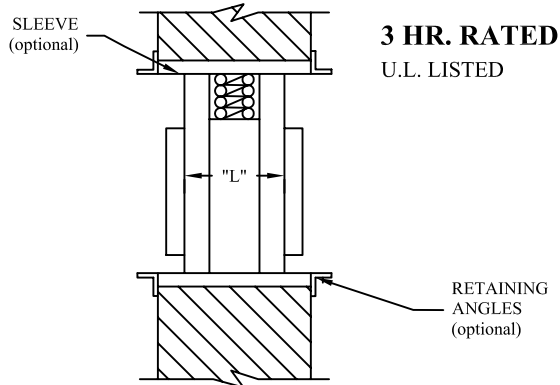


Model U-255 Fire Damper for Static Systems

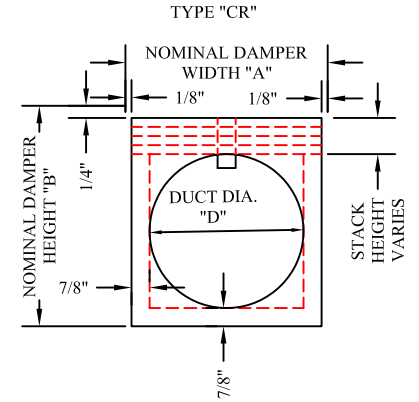
Vertical Mount (Horizontal Air Flow) - Type C, CO, CR



California State Fire
Marshal Listed



3225-273:100



Model: U-255

1. Frame is rollformed 22 ga. galvanized steel.
2. Blades are rollformed 22 ga. galvanized steel.
3. Frame: 5" "L" dimension, galvanized steel.
4. Wall or partition opening should exceed nominal sleeve dimension by 1/8" for each linear foot of width and height.
5. Fusible Link: 165°F standard, other UL listed links optional.
6. Available up to 50"w x 46"h, 44" diameter maximum single section.

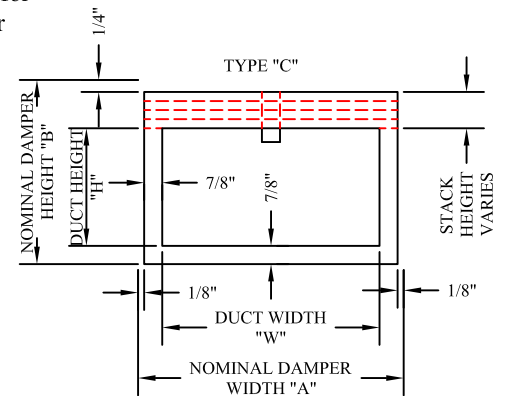
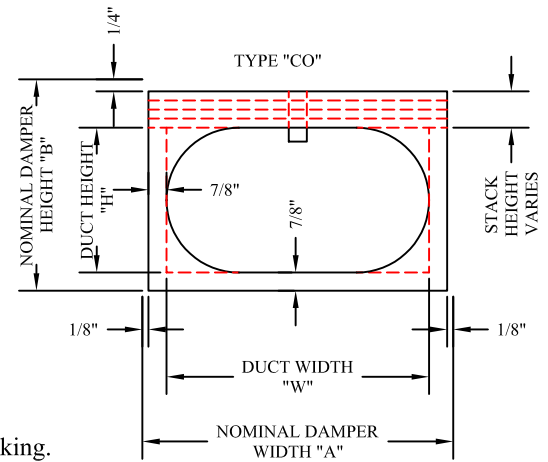
Notes:

For proper operation all dampers must be installed square and free from racking. Type "C" dampers are used with low or high velocity duct where it is desirable for 100% free area. Dampers are factory sealed.

Model U-255 is for mounting in a vertical position for horizontal air flow. It is for the protection of penetrations in fire partitions, floors, or fire walls, whether these

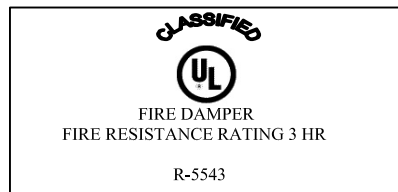
penetrations are for ductwork or wall openings without ductwork.

Model U-255 Fire Dampers are listed by Underwriters Laboratories, Inc. for 3 hour rating. The dampers meet the requirements for NFPA 90A, U.L. Standard 555, comply with NFPA Bulletin 80, and meet or exceed California State Fire Marshall's Requirements.



Duct Height "D" or "H"	Nominal Damper Height "B"
4-14	D + 3
15-19	D + 3.5
20-27	D + 4
28-33	D + 4.5
34-41	D + 5
42-46	D + 5.5

Nominal sleeve width equals duct width plus 2"



JOB: _____

LOCATION: _____

JOB NO.: _____

ENGINEER: _____

REPRESENTATIVE: _____

CONTRACTOR: _____

DATE: _____

LEADER
Dampers & Louvers

P.O. Box 40913
Nashville, TN 37204
www.leaderindustries.com
A Division of Leader Industries, Inc.

Approval: _____