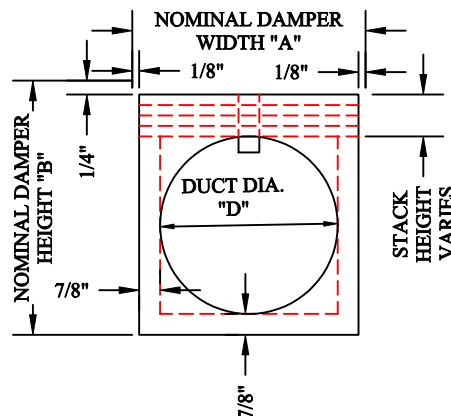
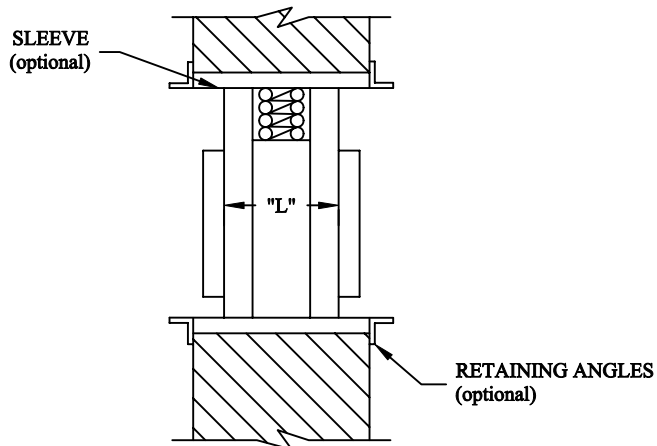


Model U-215 Static Fire Damper

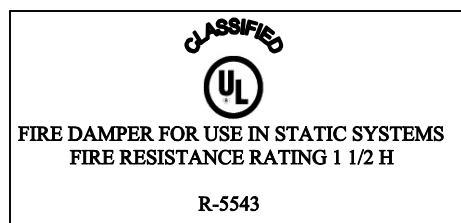
Vertical Mount (Horizontal Air Flow) - Type R



Nominal sleeve width and height equals duct diameter plus 2"

Model: U-215

1. Frame is rollformed 22 ga. galvanized steel.
2. Blades are rollformed 22 ga. galvanized steel.
3. Frame: 5" "L" dimension, galvanized steel.
4. Wall or partition opening should exceed nominal sleeve dimension by 1/8" for each linear foot of width and height.
5. Fusible Link: 160°F standard, other UL listed links optional.
6. Maximum Single Section Size: up to 50" diameter.



Notes:

For proper operation all dampers must be installed square and free from racking. Type "R" dampers are for use with low velocity duct where it is desirable for less than 100% free area.

Model U-215 is for mounting in a vertical position for horizontal air flow.

It is for the protection of penetrations in fire partitions, or floors, whether these penetrations are for ductwork or wall openings without ductwork.

Model D-205 Fire Dampers are listed by Underwriters Laboratories, Inc. for 1-1/2 hour rating. The dampers meet the requirements of NFPA 90A, U.L. Standard 555, comply with NFPA Bulletin 80, and meet or exceed California State Fire Marshall's Requirements.

California State Fire
Marshal Listed



3225-273:100

JOB: _____
 LOCATION: _____ JOB NO.: _____
 ENGINEER: _____ REPRESENTATIVE: _____
 CONTRACTOR: _____ DATE: _____



P.O. Box 40913
 Nashville, TN 37204
 www.leaderindustries.com
 A Division of Leader Industries, Inc.

Approval: _____