

Model U-215-OW Static Fire Damper for Out-of-Wall Applications

Standard Installation for Grille Mount or One Sided Installation

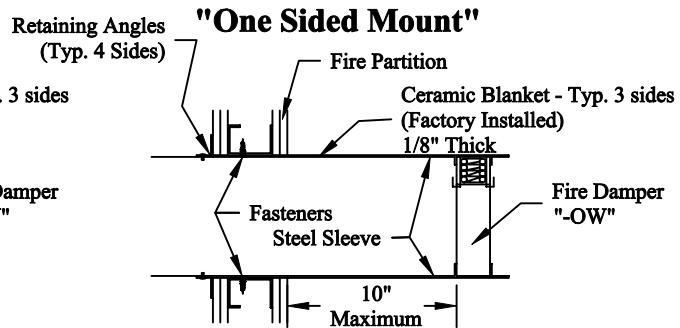
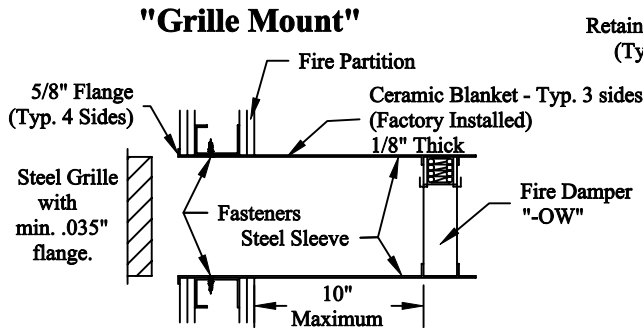
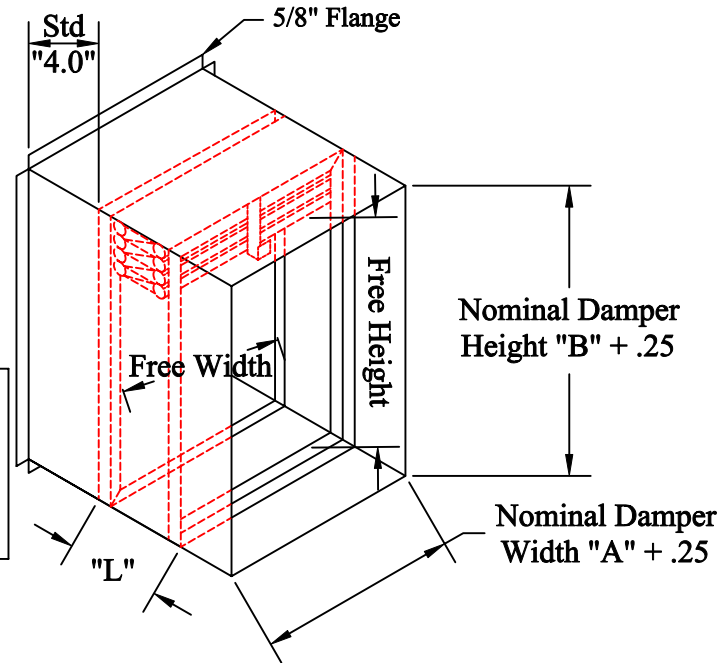
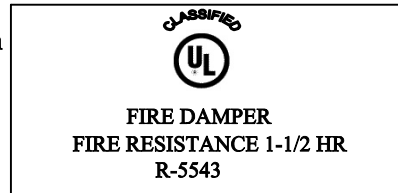
Standard "Grille Mount Installation" is shipped. If "One Sided Installation" is desired, please specify when ordering.

Model: U-215-OW

1. Frame and blades are rollformed 22 ga. galvanized steel.
2. Frame: 'L' dimension is 4.5"
3. Wall or floor opening should exceed nominal sleeve dimension by 1/8" for each linear foot of width and height.
4. Fusible Link: 165°F standard, other UL listed links optional.
5. Units approved for block or gypsum/metal stud fire walls.
6. Std. sleeve: 20ga., 12" with 5/8" flange.
7. Minimum Size: 4"w x 4"h
8. Maximum Size: 36"w x 36"h

Options:

1. Sleeve lengths: 12" to 30"
gauge: 20, 18 & 16
2. "Grille Mount Installation" or "One Sided Installation".



Notes:

- For proper operation all dampers must be installed square and free from racking.
- Unit furnished approximately duct size. Opening must be 1/4" - 1/2" larger than the duct size.
- Units approved for out of wall plane installations up to 10".
- Units are approved for Static systems.
- This unit UL Listed for 1- 1/2" hour fire walls.
- The damper meets or exceeds the requirements of NFPA 90A and complies with UL standards 555.
- A static system is one in which the fan/system shuts down during a fire alarm.

Free Height B	Free Height	Free Height B	Free Height	Free Height B	Free Height
6	4.00	18	14.50	30	24.88
8	5.56	20	16.13	32	26.50
10	7.25	22	18.13	34	28.50
12	9.25	24	19.75	36	30.13
14	10.88	26	21.38		
16	12.50	28	23.38		

Free Width of damper equals "A" -1.63

JOB: _____
 LOCATION: _____ JOB NO.: _____
 ENGINEER: _____ REPRESENTATIVE: _____
 CONTRACTOR: _____ DATE: _____

LEADER
Dampers & Louvers

P.O. Box 40913
Nashville, TN 37204
www.leaderindustries.com
A Division of Leader Industries, Inc.

Approval: _____