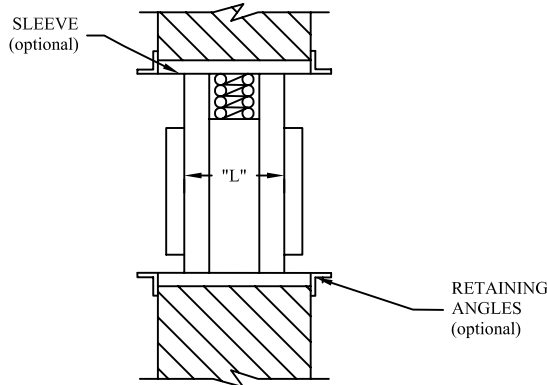


# Model U-215 Fire Damper for Static Systems

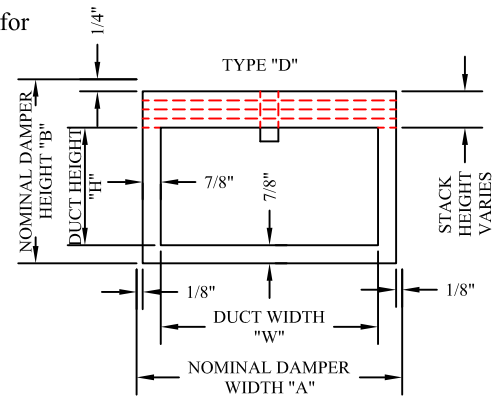
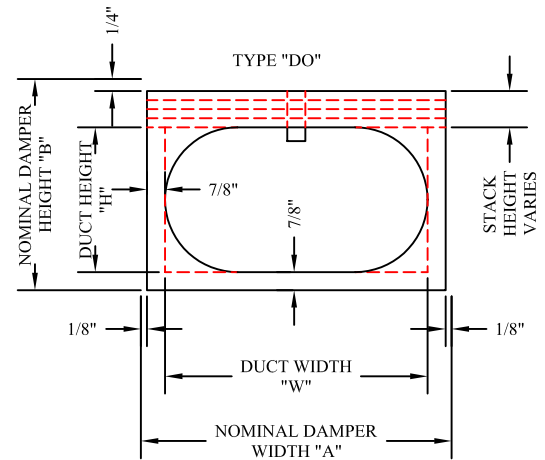
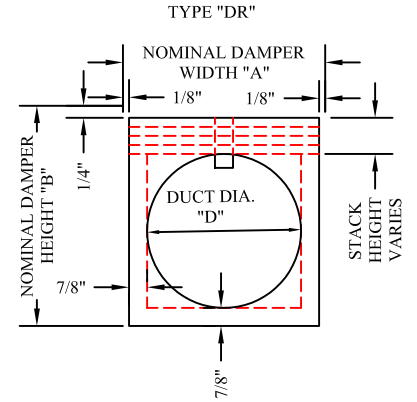
## Vertical Mount (Horizontal Air Flow) - Type D, DO, DR



California State Fire  
Marshal Listed



3225-273:100



### Model: U-215

1. Frame is rollformed 22 ga. galvanized steel.
2. Blades are rollformed 22 ga. galvanized steel.
3. Frame: 5" "L" dimension, galvanized steel.
4. Wall or partition opening should exceed nominal sleeve dimension by 1/8" for each linear foot of width and height.
5. Fusible Link: 165°F standard, other UL listed links optional.
6. Available up to 50"w x 46"h, 44" diameter maximum single section.

### Notes:

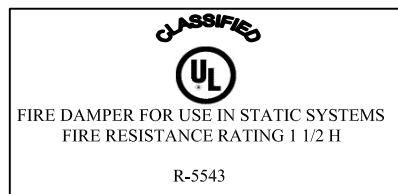
For proper operation all dampers must be installed square and free from racking. Type "D" dampers are unsealed for use in low pressure systems where 100% free area is desirable.

Model U-215 is for mounting in a vertical position for horizontal air flow. It is for the protection of penetrations in fire partitions, or floors, whether these penetrations are for ductwork or wall openings without ductwork.

Model U-215 Fire Dampers are listed by Underwriters Laboratories, Inc. for 1-1/2 hour rating. The dampers meet the requirements for NFPA 90A, U.L. Standard 555, comply with NFPA Bulletin 80, and meet or exceed California State Fire Marshall's Requirements.

Duct Height "D" or "H"	Nominal Damper Height "B"
4-14	D + 3
15-19	D + 3.5
20-27	D + 4
28-33	D + 4.5
34-41	D + 5
42-46	D + 5.5

Nominal sleeve width equals duct width plus 2"



JOB: \_\_\_\_\_  
 LOCATION: \_\_\_\_\_ JOB NO.: \_\_\_\_\_  
 ENGINEER: \_\_\_\_\_ REPRESENTATIVE: \_\_\_\_\_  
 CONTRACTOR: \_\_\_\_\_ DATE: \_\_\_\_\_



Approval: \_\_\_\_\_