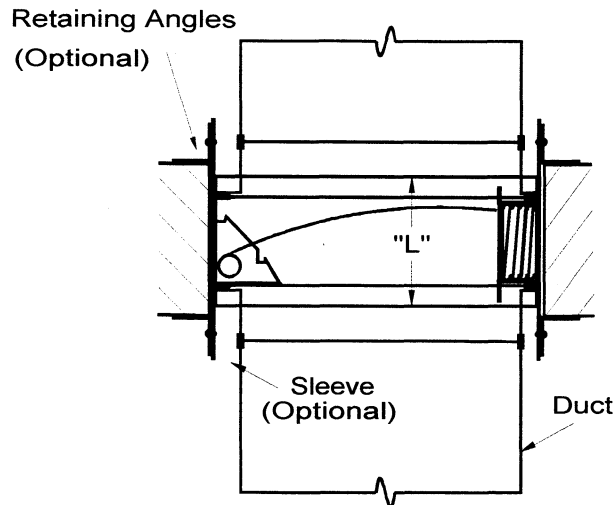
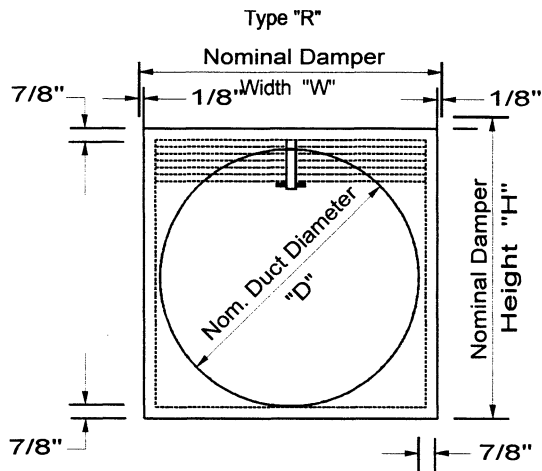


Model U-207 Fire Damper – Type R

Horizontal / Vertical Mount

For Static Systems

304 Stainless Steel



MODEL U-207

NOTES:

1. Frame and blades are roll formed 22 ga. – 304 stainless steel.
2. Frame: "L" dimension is 5".
3. Wall or floor opening should exceed nominal sleeve dimension by 1/8" for each linear foot of width and height.
4. 165°F UL fusible link standard. Other UL listed links optional.
5. Model U-207 is operated by 2 stainless steel constant tension springs.
6. Minimum size is 4" diameter.
7. Available up to 34" diameter maximum single section.
8. Nominal sleeve width and height equals duct diameter plus 2".

FEATURES:

- Model U-207 is for mounting in a horizontal or vertical position. It is for the protection of penetrations in fire partitions or floors, whether these penetrations are for ductwork or wall openings without ductwork, under static conditions.
- Type R damper is used with low velocity round duct where it is desirable for less than 100% free area. The blade stack may be partially in the air stream.
- Model U-207 fire dampers are listed by Underwriters Laboratories, Inc., with a 1½ hour rating. These dampers meet the requirements of NFPA Bulletin 90A, UL Standard 555.
- A static system is one in which a fire alarm shuts the system / fan down.

UNDERWRITERS LABORATORIES, Inc.®
 Classified
FIRE DAMPER
 Fire Resistance Rating 1½ HR.
 See UL Classified Building Materials Index
 R-5543

1½ Hour Rated
UL Listed

LEADER
 Dampers & Louvers

P.O. Box 40913
 Nashville, TN 37204
 www.leaderindustries.com
 A Division of Leader Industries, Inc.

APPROVAL