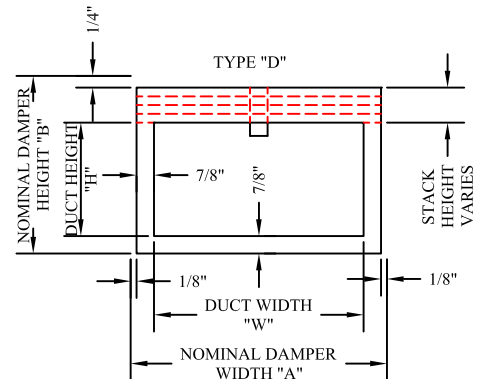
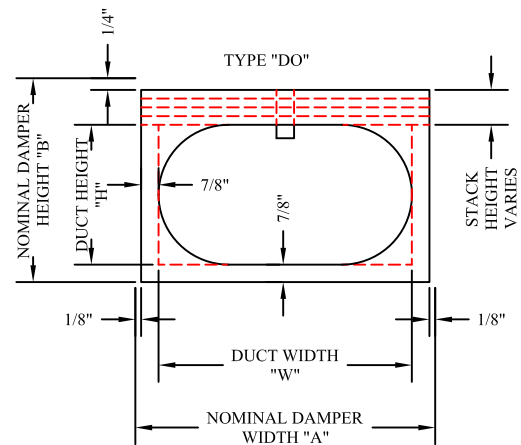
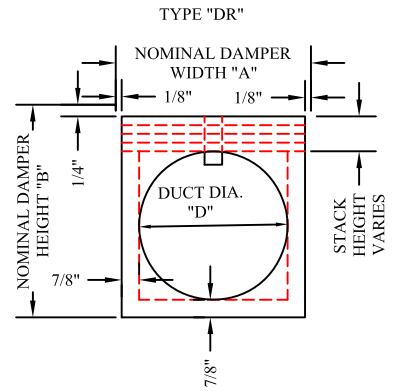
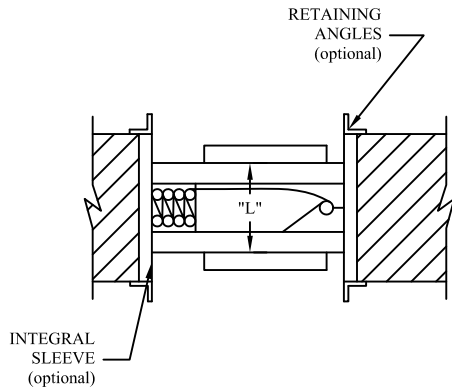


Model U-207 Fire Damper for Static Systems

Horizontal Mount (Vertical Air Flow) - Type D, DO, DR

304 Stainless Steel



Model: U-207

1. Frame is rollformed 22 ga. stainless steel.
2. Blades are rollformed 22 ga. stainless steel.
3. Frame: "L" dimension is 5".
4. Wall or partition opening should exceed nominal sleeve dimension by 1/8" for each linear foot of width and height.
5. Fusible Link: 165°F standard, other UL listed links optional.
6. Operated by 2 Stainless Steel constant tension springs.
7. Maximum Size: 38"w x 35"h.

Notes:

For proper operation all dampers must be installed square and free from racking.
 Type "D" dampers are for use with low velocity duct where it is desirable for 100 % free area.
 Model D-207 is for mounting in a horizontal position for vertical air flow. It is for the protection of penetrations in fire partitions, or floors, whether these penetrations are for ductwork or wall openings without ductwork.
 Model D-207 Fire Dampers are listed by Underwriters Laboratories, Inc. for 1-1/2 hour rating. The dampers meet the requirements for NFPA 90A, U.L. Standard 555, comply with NFPA Bulletin 80, and meet or exceed California State Fire Marshall's Requirements.

207-D	
Duct Height "D" or "H"	Nominal Damper Height "B"
4-14	D + 3
15-19	D + 3.5
20-27	D + 4
28-31	D + 4.5

Nominal sleeve width equals duct width plus 2"



JOB: _____

LOCATION: _____ JOB NO.: _____

ENGINEER: _____ REPRESENTATIVE: _____

CONTRACTOR: _____ DATE: _____

LEADER
 Dampers & Louvers
 P.O. Box 40913
 Nashville, TN 37204
 www.leaderindustries.com
 A Division of Leader Industries, Inc.

Approval: _____