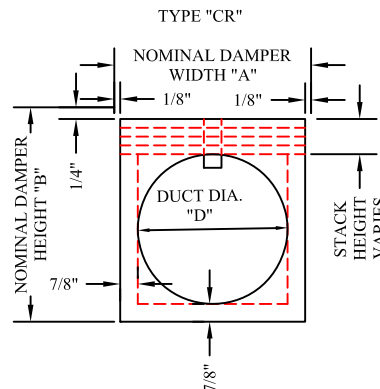
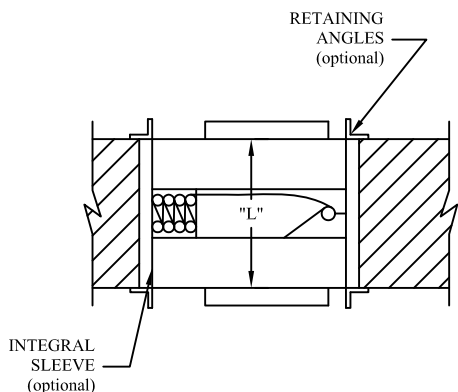


Model U-207 Fire Damper for Static Systems

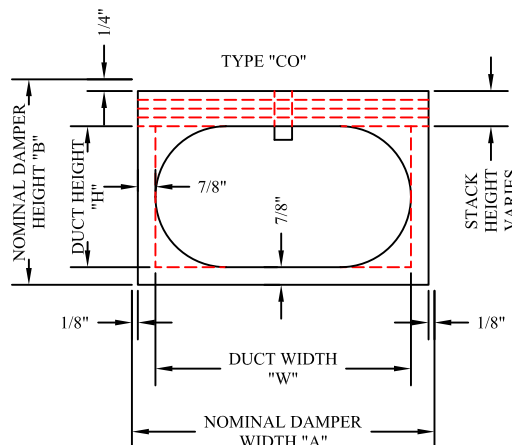
Horizontal/Vertical Mount - Type C, CO, CR

304 Stainless Steel



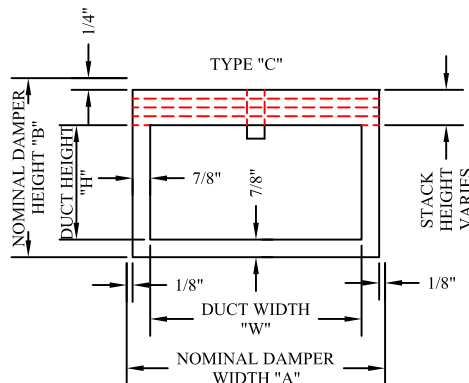
Model: U-207

1. Frame is rollformed 22 ga. stainless steel.
2. Blades are rollformed 22 ga. stainless steel.
3. Frame: "L" dimension is 5".
4. Wall or partition opening should exceed nominal sleeve dimension by 1/8" for each linear foot of width and height.
5. Fusible Link: 165°F standard, other UL listed links optional.
6. Operated by 2 Stainless Steel constant tension springs.
7. Maximum Size: 38"w x 35"h.



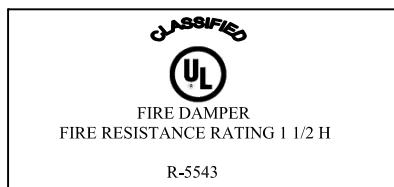
Notes:

For proper operation all dampers must be installed square and free from racking. Type "C" dampers are for use with low or high velocity duct where it is desirable for 100% free area. Model U-207 is for mounting in a horizontal position for vertical air flow. It is for the protection of penetrations in fire partitions, or floors, whether these penetrations are for ductwork or wall openings without ductwork. Model U-207 Fire Dampers are listed by Underwriters Laboratories, Inc. for 1-1/2 hour rating. The dampers meet the requirements for NFPA 90A, U.L. Standard 555, comply with NFPA Bulletin 80, and meet or exceed California State Fire Marshall's Requirements.



207-C	
Duct Height "D" or "H"	Nominal Damper Height "B"
4-14	D + 3
15-19	D + 3.5
20-27	D + 4
28-31	D + 4.5

Nominal sleeve width equals duct width plus 2"



JOB: _____

LOCATION: _____ JOB NO.: _____

ENGINEER: _____ REPRESENTATIVE: _____

CONTRACTOR: _____ DATE: _____

LEADER
Dampers & Louvers

P.O. Box 40913
Nashville, TN 37204
www.leaderindustries.com
A Division of Leader Industries, Inc.

Approval: _____