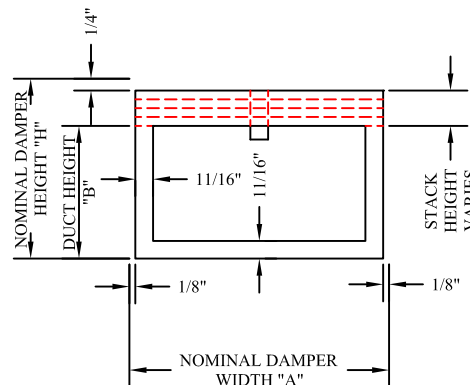
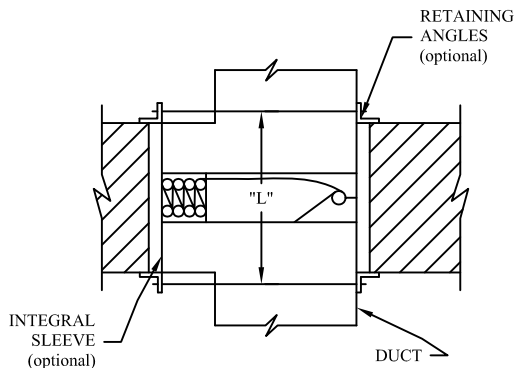


Model U-207 Fire Damper for Static Systems

Vertical or Horizontal Mount - Type B

304 Stainless Steel



Model: U-207 (304 Stainless Steel)

1. Frame is rollformed 22 ga. stainless steel.
2. Blades are rollformed 22 ga. stainless steel.
3. Frame: "L" dimension is 5".
4. Wall or partition opening should exceed nominal sleeve dimension by 1/8" for each linear foot of width and height.
5. Fusible Link: 165°F standard, other UL listed links optional.
6. Operated by 2 Stainless Steel constant tension springs.
7. Minimum Duct Size: 6"w x 4"h
8. Maximum Duct Size: 36"w x 32"h

207-B

Duct Height "B"	Nominal Damper Height "H"
4-14	B + 2
15-19	B + 2.5
20-27	B + 3
28-32	B + 3.5

Nominal damper width is same as duct.

Notes:

For proper operation all dampers must be installed square and free from racking.

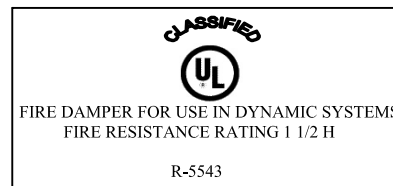
Model U-207-B is for mounting in a horizontal or vertical position. It is

for the protection of penetrations in fire partitions or floors, whether these penetrations are for ductwork or wall openings without ductwork.

Model U-207 Fire Dampers are listed by Underwriters Laboratories, Inc. for 1-1/2 hour rating. The damper meets the requirements of NFPA 90A, U.L. Standard 555, comply with NFPA Bulletin 80.

Type B damper is for use with low velocity rectangular duct where it is desirable to keep the blade stack out of the air stream. When the damper is open, the stack of blades is entirely contained within an enclosure beside the duct but the damper sleeve width is the same as the duct width.

A static system is one in which a fire alarm shuts the system/fan down.



JOB: _____

LOCATION: _____ JOB NO.: _____

ENGINEER: _____ REPRESENTATIVE: _____

CONTRACTOR: _____ DATE: _____

LEADER
Dampers & Louvers

P.O. Box 40913
Nashville, TN 37204
www.leaderindustries.com
A Division of Leader Industries, Inc.

Approval: _____