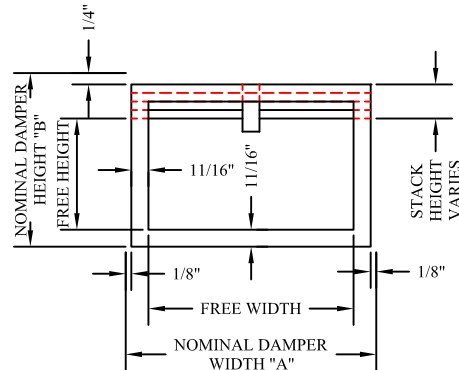
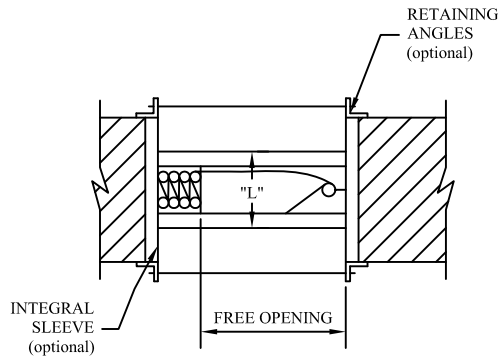


Model U-207 Fire Damper for Static Systems

Vertical or Horizontal Mount - Type A

304 Stainless Steel



Model: U-207 (304 Stainless Steel)

1. Frame is rollformed 22 ga. stainless steel.
2. Blades are rollformed 22 ga. stainless steel.
3. Frame: "L" dimension is 5".
4. Wall or floor opening should exceed nominal sleeve dimension by 1/8" for each linear foot of width and height.
5. Fusible Link: 165°F standard, other UL listed links optional.
6. Operated by 2 Stainless Steel constant tension springs.
7. Maximum Size: 36"w x 36"h
8. Minimum Size: 6"w x 6"h

Options:

1. Sleeve lengths: 12" to 30"
gauge: 22 to 10.
2. Retaining angles: 16 ga, 14 ga, 10 ga, or WAA.

207-A

FREE "B" HEIGHT	FREE "B" HEIGHT	FREE "B" HEIGHT	FREE "B" HEIGHT
6 3.88	16 13.19	26 22.19	36 31.31
8 5.81	18 15.06	28 24.06	
10 7.69	20 16.75	30 25.75	
12 9.56	22 18.75	32 27.75	
14 11.19	24 20.69	34 29.69	

Free Width of damper equals "A" -1.75

Notes:

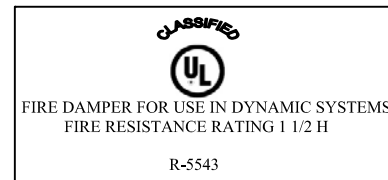
For proper operation all dampers must be installed square and free from racking. Unit furnished approximately duct size. Opening must be 1/4" - 1/2" larger than the duct size.

Units are approved for dynamic systems.

This unit is UL Listed for 1-1/2 hour fire walls or floors.

The damper meets or exceeds the requirements of NFPA 90A and complies with UL standards 555.

A static system is one in which the fan/system shuts down during a fire alarm.



JOB: _____
 LOCATION: _____ JOB NO.: _____
 ENGINEER: _____ REPRESENTATIVE: _____
 CONTRACTOR: _____ DATE: _____



Approval: _____