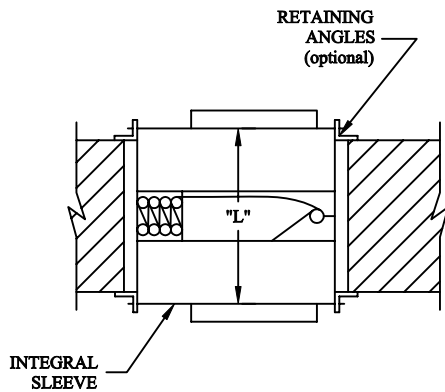
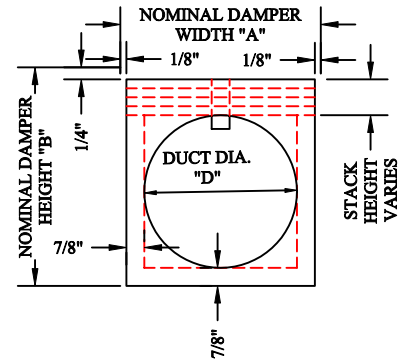


# Model U-205 Fire Damper for Static Systems

Vertical or Horizontal Mount - Type RX  
Integral Sleeve Fire Damper



Nominal sleeve width and height equals duct width plus 2"



## Model: D-205

1. Frame is rollformed 22 ga. galvanized steel.
2. Blades are rollformed 22 ga. galvanized steel.
3. Frame: 12" "L" dimension, galvanized steel.
4. Wall or floor opening should exceed nominal sleeve dimension by 1/8" for each linear foot of width and height.
5. Fusible Link: 165°F standard, other UL listed links optional.
6. Operated by 2 Stainless Steel constant tension springs.
7. Maximum Size 38" diameter.


## Notes:

For proper operation all dampers must be installed square and free from racking. Type "RX" dampers are for use with low velocity duct where it is desirable for less than 100% free area.

Model U-205 is for mounting in a horizontal position for vertical air flow. It is for the protection of penetrations in fire partitions, or floors, whether these penetrations are for ductwork or wall openings without ductwork.

Model U-205 Fire Dampers are listed by Underwriters' Laboratories, Inc., for 1-1/2 hour rating. The damper meets the requirements of NFPA Bulletin 90-A UL Standard 555, comply with NFPA Bulletin 80, and exceeds California State Fire Marshal's Requirements.

**No Sleeve Required**  
When duct thickness is 20 ga. or less,  
and Slip Joints are used, per UL 555.

CLASSIFIED  
  
FIRE DAMPER  
FIRE RESISTANCE RATING 1 1/2 H  
R-5543

JOB: \_\_\_\_\_  
LOCATION: \_\_\_\_\_ JOB NO.: \_\_\_\_\_  
ENGINEER: \_\_\_\_\_ REPRESENTATIVE: \_\_\_\_\_  
CONTRACTOR: \_\_\_\_\_ DATE: \_\_\_\_\_

**LEADER**  
Dampers & Louvers

P.O. Box 40913  
Nashville, TN 37204  
www.leaderindustries.com  
A Division of Leader Industries, Inc.

Approval: \_\_\_\_\_