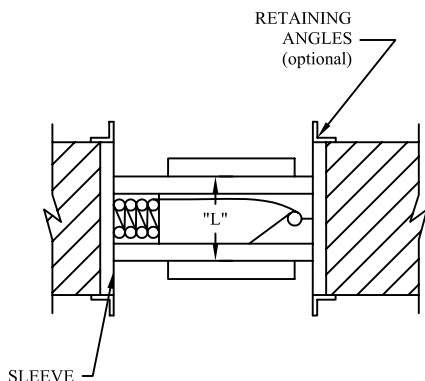
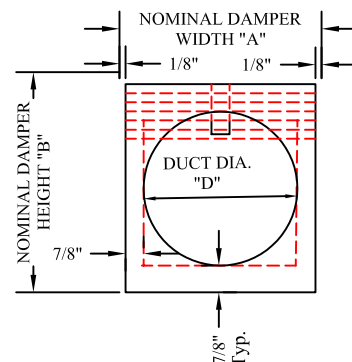


Model U-205 Fire Damper for Static Systems

Vertical or Horizontal Mount - Type R



Nominal sleeve width and height equals duct width plus 2"



Model: U-205

1. Frame is rollformed 22 ga. galvanized steel.
2. Blades are rollformed 22 ga. galvanized steel.
3. Frame: 5" "L" dimension, galvanized steel.
4. Wall or floor opening should exceed nominal sleeve dimension by 1/8" for each linear foot of width and height.
5. Fusible Link: 165°F standard, other UL listed links optional.
6. Operated by 2 Stainless Steel constant tension springs.
7. Maximum Size 38" diameter.

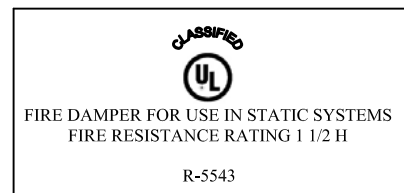
Notes:

For proper operation all dampers must be installed square and free from racking. Type "R" dampers are for use with low velocity duct where it is desirable for less than 100% free area. The blade stack may be partially in the airstream.

Model U-205 is for mounting in a horizontal position for vertical air flow. It is for the protection of penetrations in fire partitions, or floors, whether these penetrations are for ductwork or wall openings without ductwork.

Model U-205 Fire Dampers are listed by Underwriters' Laboratories, Inc., for 1-1/2 hour rating. The damper meets the requirements of NFPA Bulletin 90-A UL Standard 555, comply with NFPA Bulletin 80, and exceeds California State Fire Marshal's Requirements.

A static system is one in which a fire alarm shuts the system/fan down.



JOB: _____

LOCATION: _____ JOB NO.: _____

ENGINEER: _____ REPRESENTATIVE: _____

CONTRACTOR: _____ DATE: _____



Approval: _____