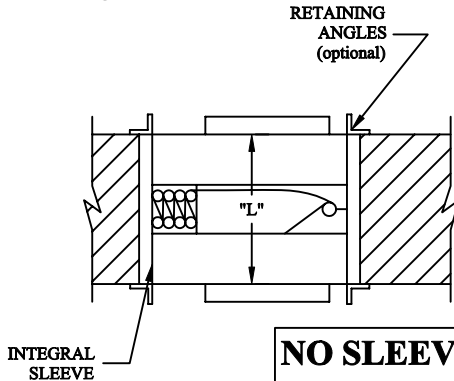


# Model U-205 Fire Damper for Static Systems

Horizontal/Vertical Mount - Type CX, COX, CRX

Integral Sleeve Fire Damper



**NO SLEEVE REQUIRED**

When duct thickness is 20-GA or less, and Slip Joints are used, per UL-555.

**Model: U-205**

1. Frame is rollformed 20 ga. galvanized steel.
2. Blades are rollformed 22 ga. galvanized steel.
3. Frame: 12" "L" dimension, galvanized steel.
4. Wall or partition opening should exceed nominal sleeve dimension by 1/8" for each linear foot of width and height.
5. Fusible Link: 165°F standard, other UL listed links optional.
6. Operated by 2 Stainless Steel constant tension springs.
7. Maximum Size: 38"w x 35"h.

**Notes:**

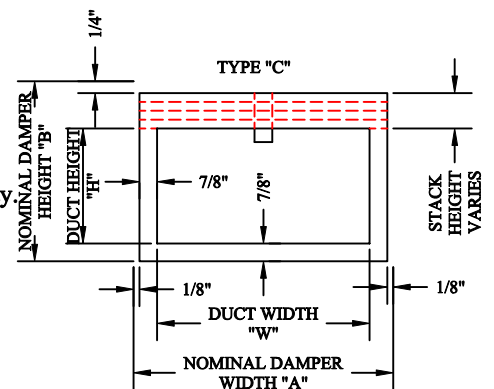
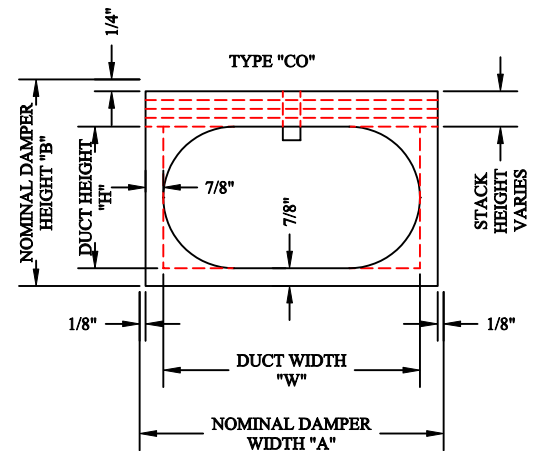
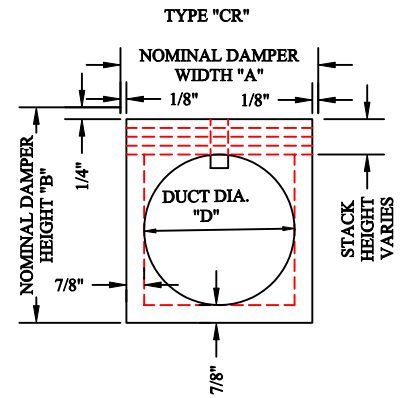
For proper operation all dampers must be installed square and free from racking. Type "C" dampers are for use with low or high velocity duct where it is desirable for 100% free area.

Model U-205 is for mounting in a horizontal or vertical position. It is for the protection of penetrations in fire partitions, or floors, whether these penetrations are for ductwork or wall openings without ductwork.

Model U-205 Fire Dampers are listed by Underwriters Laboratories, Inc. for 1-1/2 hour rating. The dampers meet the requirements for NFPA 90A, U.L. Standard 555, comply with NFPA Bulletin 80, and meet or exceed California State Fire Marshall's Requirements.

18 gauge rollformed frame is available at an additional cost.

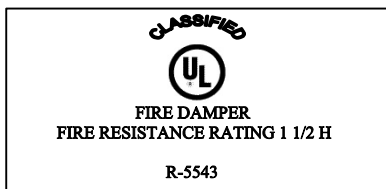
14"-22" length are available at an additional cost. Consult factory for availability.



205-CX

Duct Height "D" or "H"	Nominal Damper Height "B"
4-14	D + 3
15-19	D + 3.5
20-27	D + 4
28-33	D + 4.5
34-35	D + 5

Nominal sleeve width equals duct width plus 2"



JOB: \_\_\_\_\_

LOCATION: \_\_\_\_\_

JOB NO.: \_\_\_\_\_

ENGINEER: \_\_\_\_\_

REPRESENTATIVE: \_\_\_\_\_

CONTRACTOR: \_\_\_\_\_

DATE: \_\_\_\_\_



P.O. Box 40913  
Nashville, TN 37204  
www.leaderindustries.com  
A Division of Leader Industries, Inc.

Approval: \_\_\_\_\_