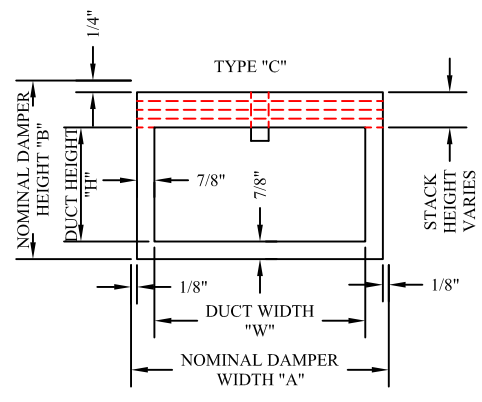
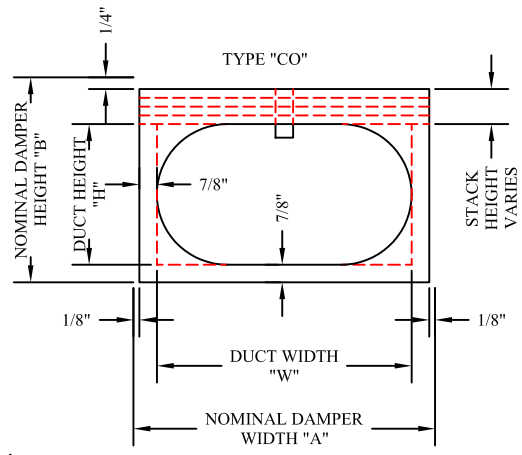
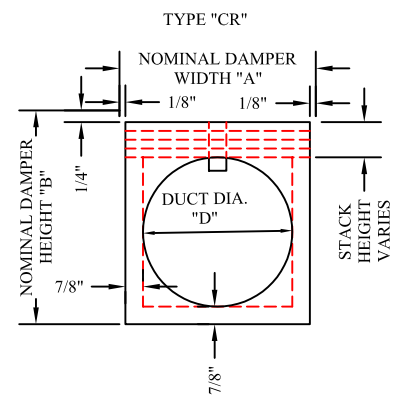
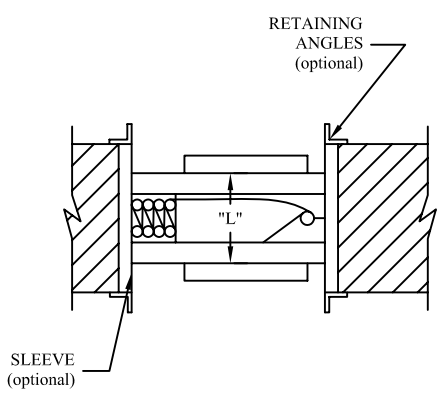


Model U-205 Fire Damper for Static Systems

Horizontal/Vertical Mount - Type C, CO, CR



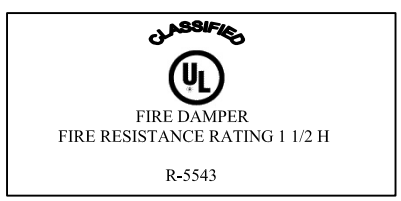
Model: U-205

1. Frame is rollformed 22 ga. galvanized steel.
2. Blades are rollformed 22 ga. galvanized steel.
3. Frame: "L" dimension is 5" galvanized steel.
4. Wall or partition opening should exceed nominal sleeve dimension by 1/8" for each linear foot of width and height.
5. Fusible Link: 165°F standard, other UL listed links optional.
6. Operated by 2 Stainless Steel constant tension springs.
7. Maximum Size: 38"w x 35"h, 35" diameter.

Notes:

For proper operation all dampers must be installed square and free from racking. Type "C" dampers are for use with low or high velocity duct where it is desirable for 100% free area. Dampers are factory sealed. Model U-205 is for mounting in a horizontal or vertical position. It is for the protection of penetrations in fire partitions, or floors, whether these penetrations are for ductwork or wall openings without ductwork. Model U-205 Fire Dampers are listed by Underwriters Laboratories, Inc. for 1-1/2 hour rating. The dampers meet the requirements for NFPA 90A, U.L. Standard 555, comply with NFPA Bulletin 80, and meet or exceed California State Fire Marshall's Requirements.

205-C	
Duct Height "D" or "H"	Nominal Damper Height "B"
4-14	D + 3
15-19	D + 3.5
20-27	D + 4
28-33	D + 4.5
34-35	D + 5



Nominal sleeve width equals duct width plus 2"

JOB: _____
 LOCATION: _____ JOB NO.: _____
 ENGINEER: _____ REPRESENTATIVE: _____
 CONTRACTOR: _____ DATE: _____

LEADER
 Dampers & Louvers
 P.O. Box 40913
 Nashville, TN 37204
 www.leaderindustries.com
 A Division of Leader Industries, Inc.

Approval: _____