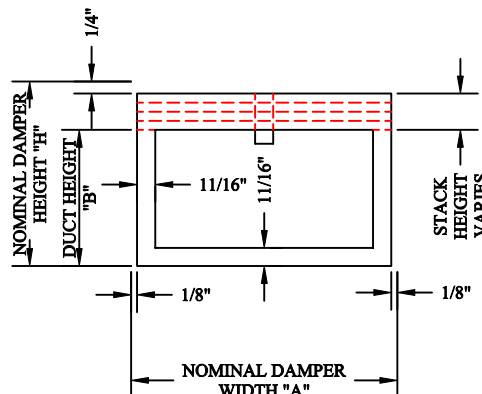
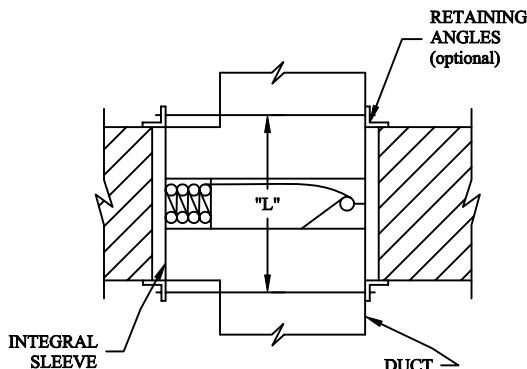


Model U-205 Fire Damper for Static Systems

Vertical or Horizontal Mount - Type BX

Integral Sleeve Fire Damper



NO SLEEVE REQUIRED
 When duct thickness is 20-GA or less,
 and Slip Joints are used, per UL-555.

Model: U-205

1. Frame is rollformed 20 ga. galvanized steel.
2. Blades are rollformed 22 ga. galvanized steel.
3. Frame: 12" "L" dimension, galvanized steel
4. Wall or partition opening should exceed nominal sleeve dimension by 1/8" for each linear foot of width and height.
5. Fusible Link: 165°F standard, other UL listed links optional.
6. Operated by 2 Stainless Steel constant tension springs.
7. Maximum Duct Size: 40"w x 36"h

205-BX

Duct Height "B"	Nominal Damper Height "H"
4-14	B + 2
15-19	B + 2.5
20-27	B + 3
28-33	B + 3.5
34-36	B + 4

Nominal damper width is same as duct.

Notes:

For proper operation all dampers must be installed square and free from racking. Model U-205-BX is for mounting in a horizontal or vertical position. It is for the protection of penetrations in fire partitions or floors, whether these penetrations are for ductwork or wall openings without ductwork.

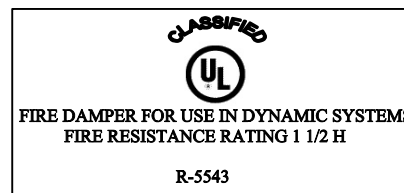
Model U-205 Fire Dampers are listed by Underwriters Laboratories, Inc. for 1-1/2 hour rating. The damper meets the requirements of NFPA 90A, U.L. Standard 555, comply with NFPA Bulletin 80.

Type BX damper is for use with low velocity rectangular duct where it is desirable to keep the blade stack out of the air stream. When the damper is open, the stack of blades is entirely contained within an enclosure beside the duct but the damper sleeve width is the same as the duct width.

A static system is one in which a fire alarm shuts the system/fan down.

18 gauge rollformed frame is available at an additional cost.

14"-22" lengths are available at an additional cost. Consult factory for availability.



JOB: _____
 LOCATION: _____ JOB NO.: _____
 ENGINEER: _____ REPRESENTATIVE: _____
 CONTRACTOR: _____ DATE: _____

P.O. Box 40913 Nashville, TN 37204 www.leaderindustries.com A Division of Leader Industries, Inc.	Approval: _____
--	-----------------