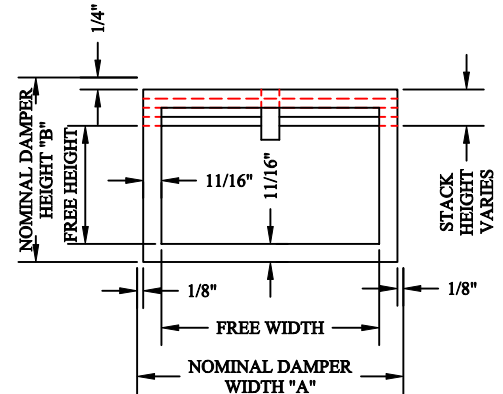
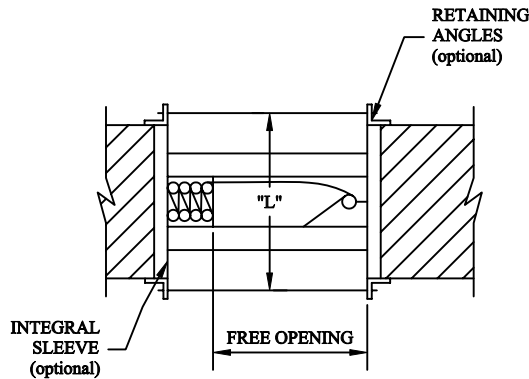


# Model U-205 Fire Damper for Static Systems

Vertical or Horizontal Mount - Type AX

Integral Sleeve Fire Damper



**NO SLEEVE REQUIRED**  
When duct thickness is 20-GA or less,  
and Slip Joints are used, per UL-555.

**Model: U-205**

1. Frame is rollformed 20 ga. galvanized steel.
2. Blades are rollformed 22 ga. galvanized steel.
3. Frame: "L" dimension is 12" galvanized steel.
4. Wall or partition opening should exceed nominal sleeve dimension by 1/8" for each linear foot of width and height.
5. Fusible Link: 165°F standard, other UL listed links optional.
6. Operated by 2 Stainless Steel constant tension springs.
7. Maximum Size: 40"w x 40"h single section.

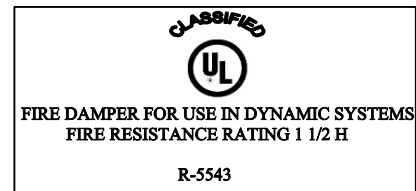
205-AX

FREE "B" HEIGHT	FREE HEIGHT	FREE "B" HEIGHT	FREE HEIGHT	FREE "B" HEIGHT	FREE HEIGHT
6	3.88	16	13.19	26	22.19
8	5.81	18	15.06	28	24.06
10	7.69	20	16.75	30	25.75
12	9.56	22	18.75	32	27.75
14	11.19	24	20.69	34	29.69
36	31.31	38	33.31	40	35.19

Free Width of damper equals "A" - 1.63

**Notes:**

For proper operation all dampers must be installed square and free from racking. Model U-205 is for mounting in a horizontal or vertical position. It is for the protection of penetrations in fire partitions, or floors, whether these penetrations are for ductwork or wall openings without ductwork. Model U-205 Fire Dampers are listed by Underwriters Laboratories, Inc. for 1-1/2 hour rating. The dampers meet the requirements of NFPA 90A, U.L. Standard 555, comply with NFPA Bulletin 80. A static system is one in which a fire alarm shuts the system/fan down. 18 gauge rollformed frame is available at an additional cost. 14"-22" lengths are available at an additional cost. Consult factory for availability.



JOB: \_\_\_\_\_  
 LOCATION: \_\_\_\_\_ JOB NO.: \_\_\_\_\_  
 ENGINEER: \_\_\_\_\_ REPRESENTATIVE: \_\_\_\_\_  
 CONTRACTOR: \_\_\_\_\_ DATE: \_\_\_\_\_

<p>P.O. Box 40913 Nashville, TN 37204 www.leaderindustries.com A Division of Leader Industries, Inc.</p>	<p>Approval: _____</p>
--	------------------------