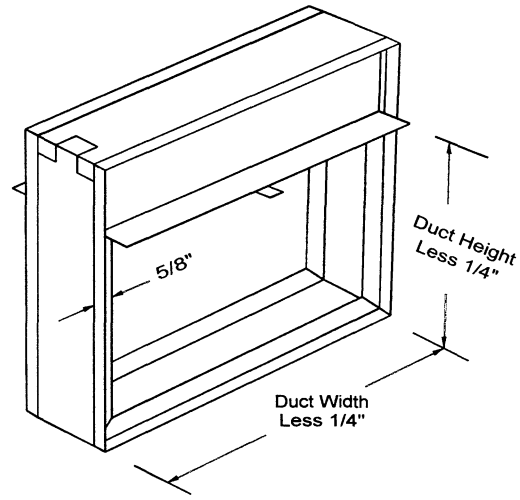
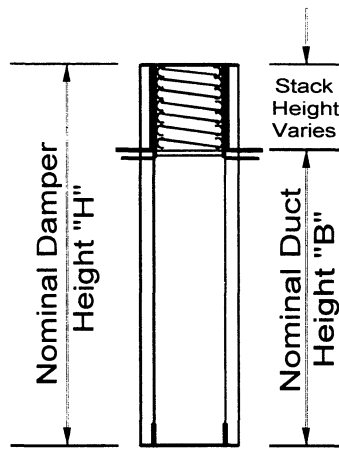


# Model U-120 Fire Damper For Static Systems

## 2<sup>3</sup>/<sub>4</sub>" Deep Thinline – Type B

### Vertical Mount (Horizontal Airflow)



#### MODEL U-120

#### NOTES:

1. Frame and blades are roll formed 22 ga. galvanized steel.
2. Frame width is 2<sup>3</sup>/<sub>4</sub>".
3. Wall opening should exceed nominal sleeve dimension by 1/8" for each linear foot of width and height.
4. 165°F UL fusible link standard. Other UL listed links optional.
5. Minimum size is 4"w x 4"h.
6. Available up to 48"w x 42" h maximum single section.

#### FEATURES:

- Model U-120 is for mounting in a vertical position. It is for the protection of penetrations in fire partitions or walls, whether these penetrations are for ductwork or wall openings without ductwork, under static conditions.
- **Type B** damper is used with low velocity rectangular duct where it is desirable to keep the blade stack out of the air stream. When the damper is open, the stack of blades is entirely contained within an enclosure beside the duct but the damper sleeve width is the same as the duct width.
- Model U-120 fire dampers are listed by Underwriters Laboratories, Inc., with a 1½ hour rating. These dampers meet the requirements of NFPA Bulletin 90A, UL Standard 555.
- A static system is one in which a fire alarm shuts the system / fan down.
- These dampers meet or exceed the requirements of the **California State Fire Marshal** and are listed under **CSFM 3225-273:100**

Duct Height "B"	Nominal Damper Height "H"
4" – 7"	B + 2.0"
8" – 11"	B + 2.5"
12" – 15"	B + 3.0"
16" – 19"	B + 3.5"
20" – 23"	B + 4.0"
24" – 27"	B + 4.5"
28" – 31"	B + 5.0"
32" – 35"	B + 5.5"
36" – 39"	B + 6.0"
40" – 42"	B + 6.5"

Nominal damper width is same as duct.

UNDERWRITERS LABORATORIES, Inc.®  
Classified  
**FIRE DAMPER**  
Fire Resistance Rating 1½ HR.  
See UL Classified Building Materials Index  
R-5543

**1½ Hour Rated**  
**UL Listed**

**LEADER**  
Dampers & Louvers

P.O. Box 40913  
Nashville, TN 37204  
www.leaderindustries.com  
A Division of Leader Industries, Inc.

APPROVAL