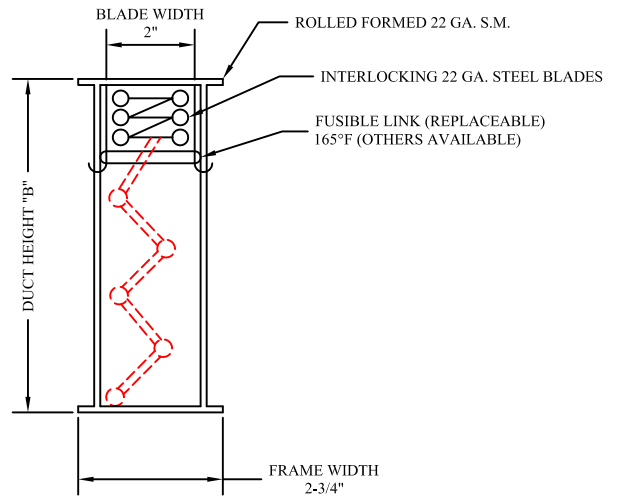
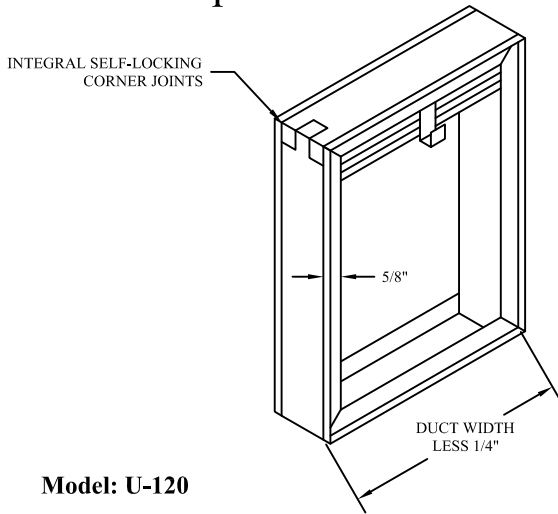


Model U-120 Fire Damper for Static Systems

Vertical Mount (Horizontal Air Flow) - Type A

2-3/4" Deep Thinline



Model: U-120

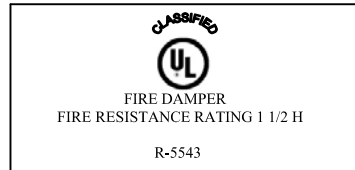
1. Frame is rollformed 22 ga. galvanized steel.
2. Blades are rollformed 22 ga. galvanized steel.
3. Frame: 2-3/4" depth, 2" blades.
4. Wall or floor opening should exceed nominal sleeve dimension by 1/8" for each linear foot of width and height.
5. Fusible Link: 165°F standard, other UL listed links optional.
6. Maximum Size: 48"w x 48"h
7. Minimum Size: 4"w x 4"h

Options:

1. Sleeve lengths: 12" to 30" and gauge: 22 to 10.
2. Retaining angles: 16 ga, 14 ga, 10 ga, or WAA.

Notes:

For proper operation all dampers must be installed square and free from racking.
 Unit furnished approximately duct size. Opening must be 1/4" - 1/2" larger than the duct size.
 This unit is UL Listed for 1-1/2" hour fire walls.
 The damper meets or exceeds the requirements of NFPA 90A and complies with UL standard 555.
 A static system is one in which the fan/system shuts down during a fire alarm.



120-A							
"B"	FREE HEIGHT	"B"	FREE HEIGHT	"B"	FREE HEIGHT	"B"	FREE HEIGHT
6	4.00	16	12.50	26	21.38	36	31.13
8	5.56	18	14.50	28	23.38	38	31.75
10	7.25	20	16.13	30	24.88	40	33.75
12	9.25	22	18.13	32	26.50	42	35.43
14	10.88	24	19.75	34	28.50	44	37.44

Free Width of damper equals "A" -1.63

California State Fire Marshal Listed



3225-273:100

JOB: _____
 LOCATION: _____ JOB NO.: _____
 ENGINEER: _____ REPRESENTATIVE: _____
 CONTRACTOR: _____ DATE: _____

<p>LEADER Dampers & Louvers</p>	<p>P.O. Box 40913 Nashville, TN 37204 www.leaderindustries.com A Division of Leader Industries, Inc.</p>	Approval: _____

U-120-A-9-2003 In the interest of product development Leader Industries, Inc. reserves the right to change this design at any time without notice.